

- GB** Pneumatic nailer
- DE** Pneumatisches nagelgerät
- FR** Cloueur pneumatique
- NL** Pneumatische nagelmachine
- IT** Chiodatrice pneumatica
- ES** Clavadora neumática
- PT** Pregador pneumático
- SE** Pneumatisk spikpistol
- DK** Trykluftpistol
- NO** Spikerpistol med trykkluft
- FI** Paineilmakäyttöinen naulain
- PL** Gwoździarka pneumatyczna

**WARNING:** Please read the instructions and warnings for this tool carefully before use. Failure to do so could lead to serious injury.

**WARNUNG:** Bitte lesen Sie die Anweisungen und Warnungen für dieses Werkzeug vor Gebrauch aufmerksam durch. Anderenfalls kann es zu schweren Verletzungen kommen.

**AVERTISSEMENT :** Veuillez lire attentivement les instructions et les avertissements pour cet outil avant utilisation. Le non-respect de cette consigne peut entraîner de graves blessures.

**WAARSCHUWING:** Lees vóór gebruik de instructies en waarschuwingen voor dit gereedschap zorgvuldig door. Als u dit niet doet, kan dat leiden tot ernstig letsel.

**AVVERTIMENTO:** Leggere con attenzione tutte le istruzioni e le avvertenze relative al presente utensile prima dell'uso. La mancata osservanza di questa indicazione potrebbe portare a gravi lesioni personali.

**ADVERTENCIA:** Por favor, lea atentamente las instrucciones y advertencias para esta herramienta antes de utilizarla. En caso contrario podría provocar lesiones graves.

**AVISO:** Leia atentamente as instruções e avisos relativos a esta ferramenta antes de utilizá-la. Caso não o faça pode causar lesões graves

**WARNING:** Läs noggrant igenom alla instruktioner och varningar för detta verktyg innan det används. Om detta inte görs kan det leda till allvarlig skada.

**ADVARSEL:** Læs instruktionerne og advarselne for denne maskine grundigt inden brugen. Undladelse af dette kan medføre alvorlig personskaade.

**ADVARSEL:** Les instruksjonene og advarselene for dette verktøyet grundig før bruk. Hvis dette ikke gjøres, kan det føre til alvorlig personskaade.

**VAROITUS:** Lue tämän työkalun ohjeet ja varoitukset varovasti ennen käyttöä. Muussa tapauksessa seurauksena voi olla vakava henkilövahinko.

**OSTRZEŻENIE:** Przed użyciem zapoznaj się uważnie z

- RU** Пневматический гвоздезабиватель
- EE** Pneuumaatiline naelapüstol
- LT** Pneumatinė viniųkalė
- LV** Pnevmatiskais naglotājs
- CZ** Pneumatická hřebíková sbíječka
- SK** Pneumatická zošivačka
- SI** Pnevmatiski žebļjalnik
- HR** Uređaj za zabijanje čavala
- GR** Πνευματικό καρφωτικό
- TR** Havalı çivi tabancası
- HU** Pneumatikus szögbelevő
- BG** Пневматичен такер за пирони

instrukcijami i ostrzeżeniami dotyczącymi urządzenia. Niezastosowanie się do tego wymogu może prowadzić do poważnych obrażeń.

**ПРЕДУПРЕЖДЕНИЕ:** Перед использованием этого инструмента внимательно прочитайте инструкции и предупреждения. Несоблюдение этого требования может привести к тяжелым травмам.

**HOIATUS!** Palun lugege enne kasutamist hoolikalt selle tööriista kasutusjuhiseid ja hoiatusi. Selle soovituse eiramine võib kaasa tuua raske kehavigastuse.

**İSPĖJĪMAS.** Prieš naudodami atidžiai perskaitykite šio įrankio instrukcijas ir įspėjimus. To nepadarę rizikuojate sunkiai susižaloti.

**BRĪDINĀJUMS!** Pirms lietošanas uzmanīgi izlasiet šī instrumenta lietošanas norādījumus un brīdinājumus. Pretējā gadījumā varat gūt nopietnas traumas.

**VAROVÁNÍ:** Před používáním tohoto nářadí si pozorně přečtěte návod k obsluze a varování. Pokud tak neučiníte, může to vést k vážnému zranění.

**VAROVANIE:** Pred používaním tohto náradia si dôsledne prečítajte pokyny a varovania. Ak tak neurobíte, môžete to viesť k závažným zraneniam.

**OPOZORILO:** Pred uporabo natančno preberite navodila in opozorila za to orodje. Če tega ne storite, lahko pride do resnih poškodb.

**UPOZORENJE:** Prije upotrebe, pažljivo pročitajte upute i upozorenja za ovaj alat. Ako to ne učinite, može doći do ozbiljnih ozljeda.

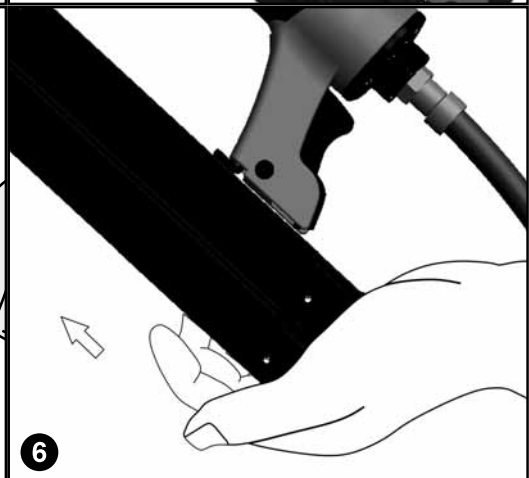
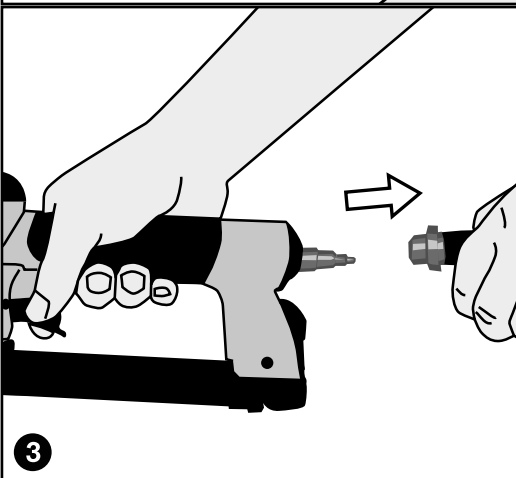
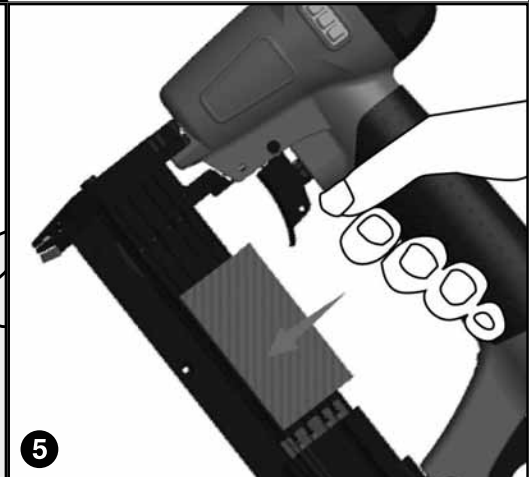
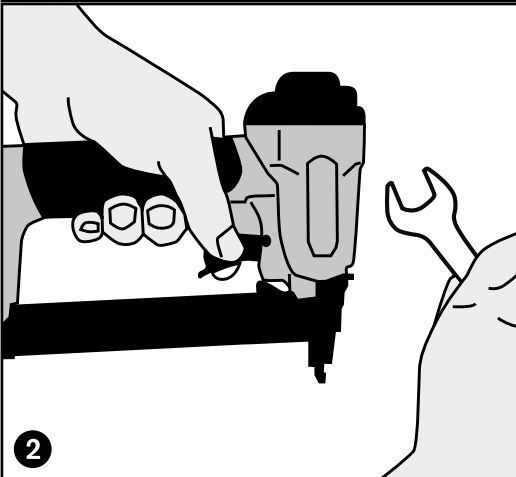
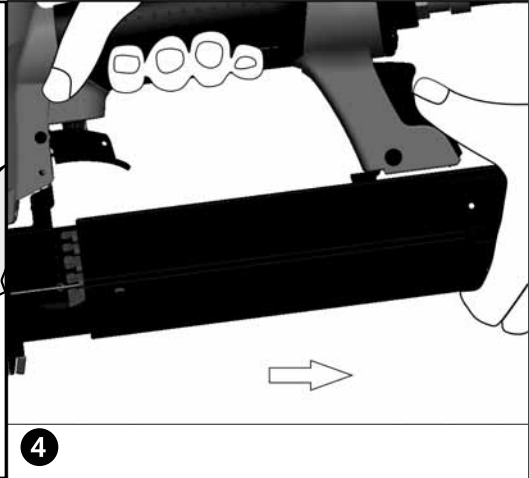
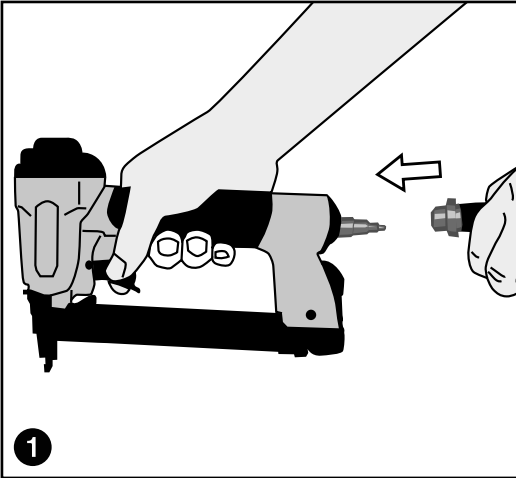
**ΠΡΟΕΙΔΟΠΟΙΗΣΗ:** Διαβάστε προσεκτικά τις οδηγίες και προειδοποιήσεις για αυτό το εργαλείο πριν από τη χρήση. Αν δεν το κάνετε αυτό, μπορεί να προκληθεί σοβαρός τραυματισμός.

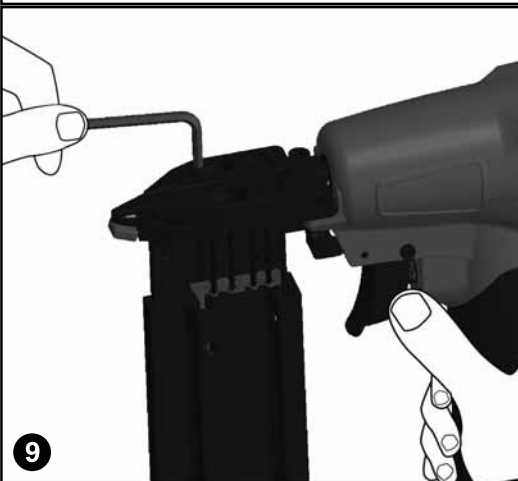
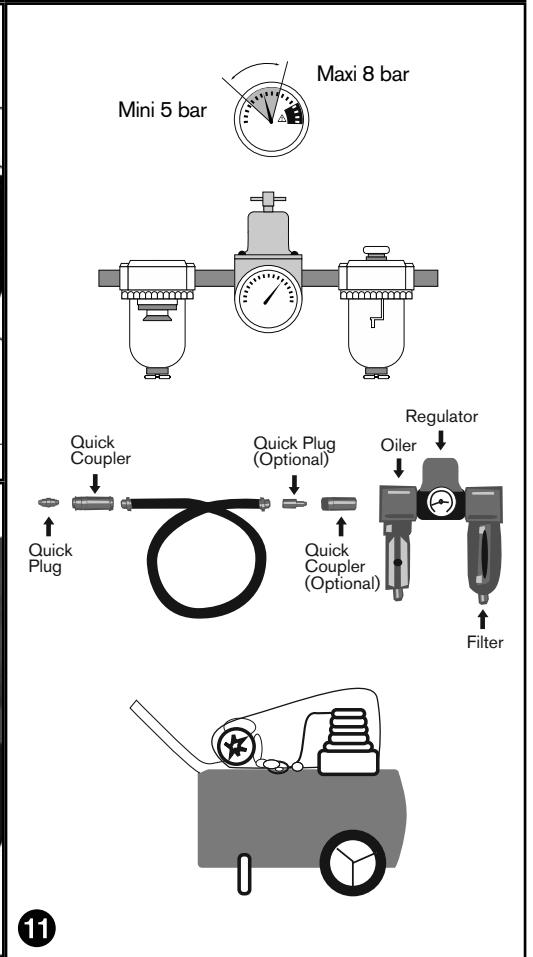
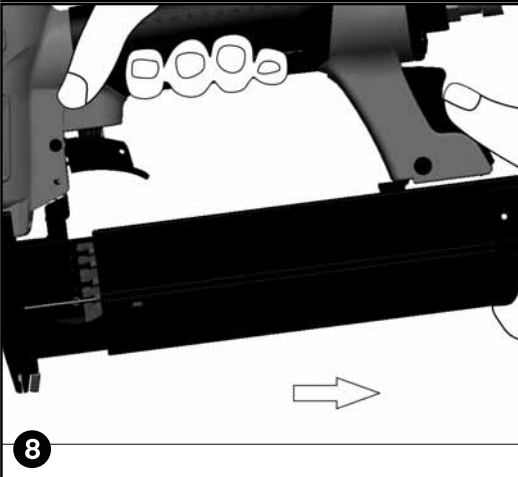
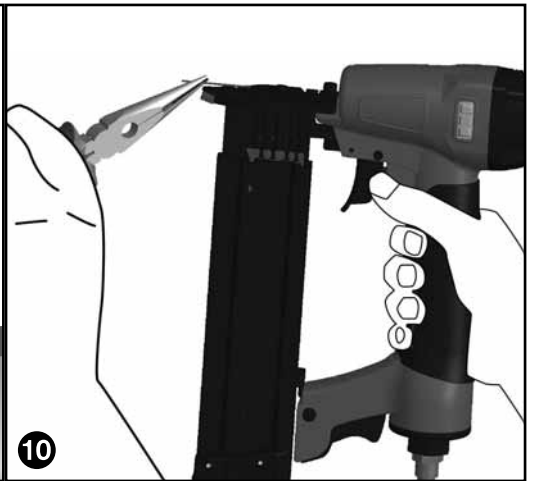
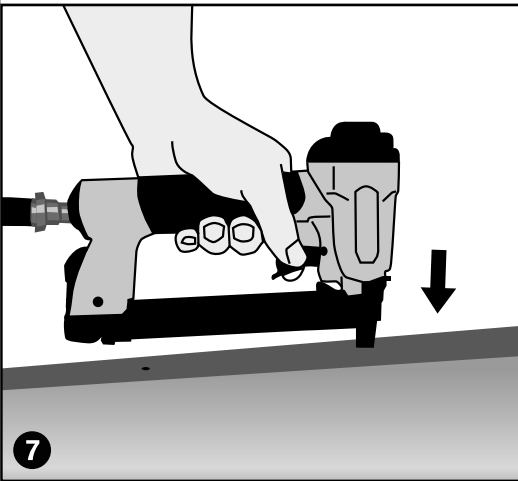
**UYARI:** Kullanmadan önce bu aletle ilgili talimatları ve uyarıları dikkatle okuyun. Buna uymamak ciddi yaralanmaya sebep olabilir.

**FIGYELEM:** Kérjük, hogy a használat előtt figyelmesen olvassa el a szerszámról vonatkozó utasításokat és figyelmeztetéseket. Ennek elmulasztása komoly sérüléshez vezethet.

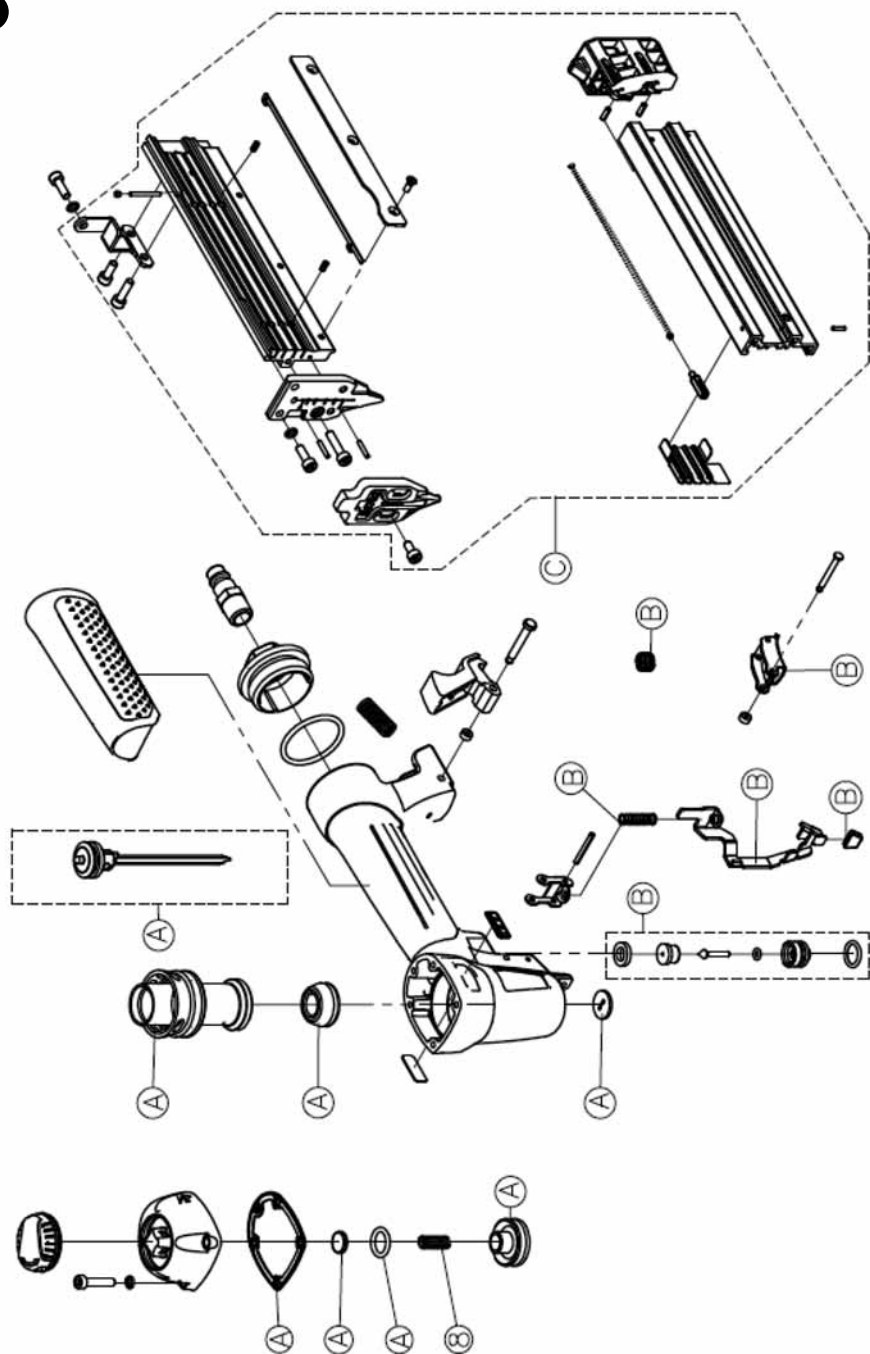
**ВНИМАНИЕ:** Моля преди да използвате инструмента прочетете внимателно инструкциите за употреба. Неспазването им може да доведе до сериозни наранявания.







12



<b>GB</b>	Operating instructions - Original	6
<b>DE</b>	Betriebsanleitung - Übersetzung der ursprünglichen	10
<b>FR</b>	Notice technique - Traduction de l'original	16
<b>NL</b>	Bedieningsvoorschriften - vertaling van het origineel	21
<b>IT</b>	Istruzioni per l'uso - traduzione dell'originale	26
<b>ES</b>	Manual de instrucciones - traducción del original	31
<b>PT</b>	Instruções de utilização - tradução do original	36
<b>SE</b>	Bruksanvisning - översättning av den ursprungliga	41
<b>DK</b>	Betjeningsvejledning - oversættelse af den oprindelige	45
<b>NO</b>	Instruksjoner for bruk - oversettelse av den opprinnelige	50
<b>FI</b>	Käyttöohjeet - käänös alkuperäisestä	55
<b>PL</b>	Instrukcja obsługi - Tłumaczenie oryginału	59
<b>RU</b>	Руководство по эксплуатации - перевод с оригинала	64
<b>EE</b>	Kasutusjuhend - Originaali tõlge	70
<b>LT</b>	Naudojimosi instrukcijos - originalaus teksto vertimas	74
<b>LV</b>	Lietošanas instrukcija - tulkojums no oriģināla	78
<b>CZ</b>	Návod k obsluze - překlad originálu	83
<b>SK</b>	Návod na použitie - preklad originálu	87
<b>SI</b>	Navodila za uporabo - Prevod izvirnika	92
<b>HR</b>	Upute za uporabu - prijevod izvornika	96
<b>GR</b>	Οδηγίες λειτουργίας - μετάφραση του πρωτοτύπου	100
<b>TR</b>	Kullanım talimatları - orjinal çevirisi	106
<b>HU</b>	Használati útmutató - az eredeti dokumentum fordítása	110
<b>BG</b>	инструкции за експлоатация - превод от оригинала	115

# PNEUMATIC NAILER PMP171

## Operating instructions - Original

GB

### TECHNICAL SPECIFICATIONS

Tool size	Height	190 mm
	Length	230 mm
	Width	48 mm
	Weight without nail	0.95 kg
	Weight with heaviest nails	0.96 kg
Air inlet		1/4"
Max operating pressure admissible		8 bar
Operating pressure	Mini	5 bar
	Maxi	7 bar
Actuation system		Contact actuation
Recommended fasteners		Rapid 23P: 15 -> 35 mm
Nail dimensions		Ø0.64mm - 23Ga
Loading capacity		150
Recommended pneumatic oil		Hydraulic oil ISO 46 or equivalent
	LpA, 1s, d	70.9 dB
Noise Information (EN 12549:1999)	Uncertainty	2.5 dB
	LwA, 1s, d	83.9 dB
	Uncertainty	2.5 dB
	LpC, peak	109 dB
	Uncertainty	2.5 dB

These values are tool-related characteristic values and do not represent noise generation at the point of use. Noise at the point of use will for example depend on the working environment, the working piece, the workpiece support, and the number of driving operation. Workplace design can also serve to reduce noise levels, for example placing workpiece on sound-damping supports.

Vibration Information (ISO 8662-11:1999)	Vibration	2.24 m/s <sup>2</sup>
	uncertainty	0.332 m/s <sup>2</sup>

This value is a tool-related characteristic value and does not represent the influence to the hand-arm-system when using the tool. Any influence to the hand-arm system when using the tool will for example depend on the gripping force, the contact pressure force, the working direction, the adjustment of energy supply, the workpiece, the workpiece support.

### SYMBOLS

The Following show the symbols used for the equipment. Be sure that you understand their meaning before use.



Read and understand tool labels and manual. Failure to follow warnings could result in serious injury



Operators and others in work area shall wear impact-resistant eye protection with side shields.



Operators and others in work area shall wear hearing protection.



The tool has the capability of operating in contact actuation mode




Do not use the tool when you are on a scale, stairs or scaffolds, ladders, or ladder alike constructions, e.g. roof laths, when boxes or crates, when fitting transportation safety systems e.g. on vehicles and wagons.



Never use oxygen, carbon dioxide or any other bottled gas as a power source for this tool.

### GENERAL SAFETY WARNINGS

1. For personal safety and proper operation and maintenance of the tool, read this instruction manual before using the tool. 
2. Save all warnings and instructions for future reference.
3. The tool is intended to be used for professional application only. Do not use it for any other purpose. It is not designed to drive fasteners directly on a hard surface like steel and concrete.
4. The user should assess the specific risks that is present as a result of each use.
5. Any other use except for intended use of this tool is forbidden. Fastener driving tools with continual contact actuation or contact actuation shall only be used for production applications.
6. Keep fingers away from trigger when not operating this tool and when moving from one operating position to another.
7. Multiple hazards. Read and understand the safety instructions before connecting, disconnecting, loading, operating, maintaining, changing accessories on, or working near the tool. Failure to do so can result in serious bodily injury.
8. Keep all body parts such as hands and legs etc. away from firing direction and ensure fastener cannot penetrate workpiece into parts of the body.
9. When using the tool, be aware that the fastener could deflect and cause injury.
10. Hold the tool with a firm grasp and be prepared to manage recoil.
11. Only technically skilled operators should use the fastener driving tool.
12. Do not modify the fastener driving tool.
13. Modifications may reduce the effectiveness of safety measures and increase the risks to the operator and/or

bystander.

14. Do not discard the instruction manual.
15. Do not use a tool if the tool has been damaged.
16. Be careful when handling fasteners, especially when loading and unloading, as the fasteners have sharp points which could cause injury.
17. Always check the tool before use for broken, misconnected or worn parts.
18. Do not overreach. Only use in a safe working place. Keep proper footing and balance at all times.
19. Keep bystanders away (when working in an area where there is a likelihood of through traffic of people). Clearly mark off your operating area.
20. Never point the tool at yourself or others.
21. Do not rest your finger on the trigger when picking up the tool, moving between operating areas and positions or walking, as resting finger on trigger can lead to inadvertent operation.  
For tools with selective actuation, always check the tool before use to ascertain the correct mode is selected.
22. Only wear gloves that provide adequate feel and safe control of triggers and any adjusting devices. When resting the tool, lay it down on the flat surface. If you use the hook equipped with the tool, hook the tool securely on the stable surface
23. Do not operate when under the influence of alcohol, drugs or the like.
24. Do not use the tool when you are on a scale, stairs or scaffolds, ladders, or ladder alike constructions, e.g. roof laths, when closing boxes or crates, when fitting transportation safety systems e.g. on vehicles and wagons.



### Projectile hazards

1. The fastener driving tool shall be disconnected when unloading fasteners, making adjustments, clearing jams or changing accessories.
2. During operation be careful that fasteners penetrate material correctly and cannot be deflected/ misfired towards operator and/or any bystanders.
3. During operation, debris from workpiece and fastening/collation system may be discharged.
4. Always wear protective goggles to protect your eyes from injury when using power tools. The goggles must comply with ANSI Z87.1 in the USA, EN 166 in Europe, or AS/NZS 1336 in Australia/New Zealand. In Australia/New Zealand, it is legally required to wear a face shield to protect your face, too. It is an employer's responsibility to enforce the use of appropriate safety protective equipment by the tool operators and by other persons in the immediate working area.
5. The risks to others shall be assessed by the operator.
6. Be careful with tools without workpiece contact as they can be fired unintentionally and injure operator and/or bystander.
7. Ensure tool is always safely engaged on the workpiece and cannot slip.
8. Wear hearing protection to protect your ears against exhaust noise and head protection. Also wear light but not loose clothing. Sleeves should be buttoned or rolled up. No necktie should be worn.



### Operating hazards

1. Hold the tool correctly: be ready to counteract normal or sudden movements such as recoil.
2. Maintain a balanced body position and secure footing.
3. Appropriate safety glasses shall be used and appropriate gloves and protective clothing are recommended.
4. Appropriate hearing protection shall be worn.
5. Use the correct energy supply as directed in the instruction manual.
6. Do not use the tool on moving platforms or back of trucks. Sudden movement of the platform may lose control of the tool and cause injury.
7. Always assume that the tool contains fasteners.
8. Do not rush the job or force the tool. Handle the tool carefully.
9. Watch your footing and maintain your balance with the tool. Make sure there is no one below when working in high locations, and secure the air hose to prevent danger if there is sudden jerking or catching.
10. On rooftops and other high locations, drive fasteners as you move forward. It is easy to lose your footing if you drive fasteners while inching backward. When driving fasteners against perpendicular surface, work from the top to the bottom. You can perform driving operations with less fatigue by doing so.
11. A fastener will be bent or the tool can become jammed if you mistakenly drive fastener on top of another fastener or strike a knot in the wood. The fastener may be thrown and hit someone, or the tool itself can react dangerously. Place the fasteners with care.
12. Do not leave the loaded tool or the air compressor under pressure for a long time out in the sun. Be sure that dust, sand, chips and foreign matter will not enter the tool in the place where you leave it setting.
13. Never attempt to drive fasteners from both the inside and outside at the same time. Fasteners may rip through and/or fly off, presenting a grave danger.

### Repetitive motions hazards

1. When using a tool for long periods, the operator may experience discomfort in the hands, arms, shoulders, neck, or other parts of the body.
2. While using a tool, the operator should adopt a suitable but ergonomic posture. Maintain secure footing and avoid awkward or off-balanced postures.
3. If the operator experiences symptoms such as persistent or recurring discomfort, pain, throbbing, aching, tingling, numbness, burning sensation, or stiffness, do not ignore these warning signs. The operator should consult a qualified health professional regarding overall activities.
4. The continuous use of the tool may cause repetitive strain injury due to recoil produced by the tool.
5. To avoid repetitive strain injury, the operator should not overreach or use excessive force. Additionally, the operator should take a rest when feeling fatigue.
6. Conduct a risk assessment regarding repetitive motion hazards. It should focus on muscular- skeletal disorders and be preferentially based on the assumption that decreasing fatigue during work is effective in reducing disorders.

### Accessory and consumable hazards

1. Disconnect the energy supply to the tool, such as

air or gas or battery as applicable, before changing/ replacing accessories such as workpiece contact, or making any adjustments.

2. Use only the sizes and types of accessories that are provided by the manufacturer.
3. Use only lubricants recommended in this manual.

### Workplace hazards

1. Slips, trips and falls are major causes of workplace injury. Be aware of slippery surfaces caused by use of the tool and also of trip hazards caused by the air-line hose.
2. Proceed with additional care in unfamiliar surroundings. Hidden hazards may exist, such as electricity or other utility lines.
3. This tool is not intended for use in potentially explosive atmospheres and is not insulated from coming into contact with electric power.
4. Make sure there are no electrical cables, gas pipes etc. that could cause a hazard if damaged by use of the tool.
5. Keep work area clean and well lit. Cluttered or dark areas invite accidents.
6. There may be local regulations concerning noise which must be complied with by keeping noise levels within prescribed limits. In certain cases, shutters should be used to contain noise.

### Dust and exhaust hazards

1. Always check your surroundings. The air exhausted from the tool may blow dust or objects and hit operator and/or bystanders.
2. Direct the exhaust so as to minimize disturbance of dust in a dust filled environment.
3. If dust or objects are emitted in the work area, reduce the emission as much as possible to reduce the health hazards and risk of injury.

### Noise hazards

1. Unprotected exposure to high noise levels can cause permanent, disabling, hearing loss and other problems such as tinnitus (ringing, buzzing, whistling or humming in the ears).
2. Conduct a risk assessment regarding noise hazards in the work area and implement appropriate controls for these hazards.
3. Appropriate controls to reduce the risk may include actions such as damping materials to prevent workpieces from "ringing".
4. Use appropriate hearing protection.
5. Operate and maintain the tool as recommended in these instructions, to prevent an unnecessary increase in noise levels.
6. Take noise reduction measures, for example placing workpieces on sound damping supports.

### Vibration hazards

1. The vibration emission during operation depends on the gripping force, the contact pressure force, the working direction, the adjustment of energy supply, the workpiece, the workpiece support. Conduct a risk assessment regarding vibration hazards and implement appropriate controls for these hazards.
2. Exposure to vibration can cause disabling damage to the nerves and blood supply of the hands and arms.
3. Wear warm clothing when working in cold conditions,

keep your hands warm and dry.

4. If you experience numbness, tingling, pain or whitening of the skin in your fingers or hands, seek medical advice from a qualified occupational health professional regarding overall activities.
5. Operate and maintain the tool as recommended in these instructions, to prevent an unnecessary increase in vibration levels.
6. Hold the tool with a light, but safe, grip because the risk from vibration is generally greater when the grip force is higher.

### Additional warnings for pneumatic tools

1. Compressed air can cause severe injury.
2. Always shut off air supply, and disconnect tool from air supply when not in use.
3. Always disconnect the tool from the compressed air supply before changing accessories, making adjustments and/or repairs, when moving away from an operating area to a different area.
4. Keep fingers away from trigger when not operating the tool and when moving from one operating position to another.
5. Never direct compressed air at yourself or anyone else.
6. Whipping hoses can cause severe injury. Always check for damaged or loose hoses or fittings.
7. Never carry a pneumatic tool by its hose.
8. Never drag a pneumatic tool by its hose.
9. When using pneumatic tools, do not exceed the maximum operating pressure ps max.
10. Pneumatic tools should only be powered by compressed air at the lowest pressure required for the work process to reduce noise and vibration, and minimize wear.
11. Using oxygen or combustible gases for operating pneumatic tools creates a fire and explosion hazard.
12. Be careful when using pneumatic tools as the tool could become cold, affecting grip and control.



### Additional warnings for tools with contact actuation Capability

1. Do not rest your finger on the trigger when picking up the tool, moving between operating areas and positions or walking, as resting finger on trigger can lead to inadvertent operation.
2. If this tool has either selective actuation for contact actuation or continuous contact actuation by actuation mode selectors or is a contact actuation or continuous actuation contact tool and marked with beside symbol, intended uses are for production applications such as pallets, furniture, manufactured housings, upholstery and sheeting.
3. Do not use this tool in contact actuation for applications such as closing boxes or crates and fitting transportation safety systems on trailers and lorries.
4. Warning that the tool shall only be used in safe working places.
5. Be careful when changing from one driving location to another.



### LOADING

1. Disconnect the tool from air supply. (Figure 3)



2. Release magazine by squeezing click lever. **(Figure 4)**
3. Loading brads: Hold the nail gun downwards and load a strip of nails into the cartridge, with the points facing downwards. **(Figure 5)** Push the rail until it clicks into place. **(Figure 6)**
4. Use only recommended fasteners (see technical specifications).
5. The tool and the fasteners specified in the operating instructions are to be considered as one unit safety system.

### TOOL USE

1. Keep tool pointed away from yourself and others and connect tool to air supply. **(Figure 1)**
2. Tools shall be operated at the lowest pressure needed for the application. This will reduce noise levels, part wear and energy use.
3. Press the nose of the tool onto the workpiece to be fastened and press the trigger to fire staples. **(Figure 7)**  
Adjust the mini pressure which is necessary for the penetration of the fasteners. Then, make some tests in starting with the lowest pressure.
4. Check whether the fastener has been driven into the workpiece in accordance with the requirements.
  - if the fastener is protruding, increase the air pressure in increments of 0,5 bar, checking the result after each new adjustment;
  - if the fastener is driven into an excessive depth, reduce the air pressure in increments of 0,5 bar until the result is satisfactory.
5. You should endeavour in any event to work with the lowest possible air pressure.
6. Hold the tool during the work operation in such a way that no injuries can be caused to the head or to the body in the event of a possible recoil consequent upon a disruption in the energy supply or hard areas within the workpiece.
7. The tool shall be disconnected from the compressed air system for the purpose of transportation, especially where ladders are used or where an unusual physical posture is adopted whilst moving.
8. Carry the fastener driving tool at the workplace using only the handle, and never with the trigger actuated.
9. Take conditions at the workplace into account. Fasteners can penetrate thin workpieces or slip off corners and edges of workpieces, and thus put people at risk.
10. For personal safety, use protective equipment such as hearing and eye protection.
11. The trigger and the safety yoke have to be actuated for each driving operation, with the order of actuation not being specified. For repeated driving operations, it is sufficient if either the trigger remains activated and the safety yoke is activated thereafter, or vice versa.
12. Avoid triggering the tool if the magazine is empty.
13. Any defective or improperly functioning tool must immediately be disconnected from the compressed air supply and passed to a specialist for inspection.
14. In the event of longer breaks in work or at the end of the working shift, disconnect the tool from the compressed air supply and it is recommended to empty the magazine.

15. The compressed air connectors of the tool and the hoses should be protected against contamination. The ingress of coarse dust, chips, sand etc. will result in leaks and damage to the tool and the couplings.

### COMPRESSED AIR SYSTEM

1. Proper functioning of the fastener driving tool requires filtered, dry < and lubricated > compressed air in adequate quantities. **(Figure 11)**
2. If the air pressure in the line system exceeds the maximum allowable pressure of the fastener driving tool, a pressure reducing valve followed by a downstream safety valve shall additionally be fitted in the supply line to the tool.
3. Connect the fastener driving tool to the compressed air supply using suitable pressure hose equipped with quick-action connectors. **(Figure 1)**
4. The compressor plant shall be adequately dimensioned in terms of pressure output and performance (volumetric flow) for the consumption which is to be expected. Line sections which are too small in relation to the length of the line (pipes and hoses), as well as overloading the compressor, will result in pressure drops.
5. Permanently laid compressed air pipelines should have an internal diameter of at least 19 mm and a corresponding large diameter where relatively long pipelines or multiple users are involved.
6. Compressed air pipelines should be laid so as to form a gradient (highest point in the direction to the compressor). Easily accessible water separators should be installed at the lowest points.
7. Junctions for users should be joined to the pipelines from above.
8. Connecting points for fastener driving tools should be fitted with a compressed air servicing unit (filter/water separator/oiler) directly at the junction point.
9. Oilers must be checked on a daily basis and if necessary topped up with the recommended grade of oil (see TECHNICAL DATA). Where hose lengths of over 10 m are used, the oil supply for the fastener driving tool cannot be guaranteed. We therefore recommend that 2 to 5 drops (depending on the loading of the fastener driving tool ) of the recommended oil (see TECHNICAL DATA) should be added via the air inlet of the tool, or an oiler attached directly to the fastener driving tool.

### TROUBLESHOOTING AND MAINTENANCE

1. If a pin jam occurs, disconnect tool from air supply. **(Figure 3)**
2. Release magazine and slide the rail back. **(Figure 8)** Remove jammed fasteners.
3. Or release the two screws of the front cover and pull it out. **(Figure 9)** Remove the jammed projectile. **(Figure 10)** Replace the front cover and tight the screws.

### MAINTENANCE:

1. While tool is disconnected from air supply, make daily inspection to ensure free movement of safety yoke and trigger.
2. All screws should be kept tight. **(Figure 2)**

Loose screws result in unsafe operation and parts breakage. Squirt oil lightly with 2 or 3 oil drops into the air inlet.

3. Only use recommended oil in the technical specifications. Keep the tool clean. Wipe it regularly with a dry cloth, and inspect for wear. Lubricate the sliding parts of the magazine occasionally to prevent wear.
4. Do not use flammable cleaning solutions. Do not soak and use solvent, such solutions may damage O-rings and other sensitive tool parts. Use clean, dry air. Preferably use a processing unit of compressed air upstream of the connection of the tool. Repairs other than those described here should be performed only by trained, qualified personnel or by after-sales-service of the producer.

## SPARE PARTS LIST

Follow local regulations when disposing of the tool.

### PMP171 Spare Parts list (Figure 12)

Index	Art. No	Description
A	5001346	Head valve, cylinder and piston set
B	5001347	Safety and trigger set
C	5001348	Magazine set

# PNEUMATISCHES NAGELGERÄT PMP171

## Betriebsanleitung - Übersetzung der ursprünglichen

DE

### TECHNISCHE DATEN

Werkzeuggröße	Höhe	190 mm
	Länge	230 mm
	Breite	48 mm
	Gewicht ohne Nägel	0,95 kg
	Gewicht mit den schwersten Nägeln	0,96 kg
Lufteinlass		1/4"
Maximal zulässiger Betriebsdruck		8 bar
Betriebsdruck	Minimal	5 bar
	Maximal	7 bar
Auslösesysteme		Kontaktauslösung
Einzelauslösung mit Sicherungsfolge		Rapid 23P: 15 -> 35 mm
Nagelabmessungen		Ø0,64mm - 23Ga
Kontaktauslösung		150
Empfohlenes Pneumatiköl		Hydrauliköl ISO 46 oder gleichwertig
Schallinformationen (EN 12549:1999)	LpA, 1s, d	70,9 dB
	Unsicherheit	2,5 dB
	LwA, 1s, d	83,9 dB
	Unsicherheit	2,5 dB
	LpC, peak	109 dB
	Unsicherheit	2,5 dB

Diese Werte sind auf das Werkzeug bezogene Kennwerte und bezeichnen nicht die Lärmentwicklung am Ort der Verwendung. Der Lärm am Ort der Verwendung hängt beispielsweise von der Arbeitsumgebung, dem Werkstück, der Werkstückunterlage und der Anzahl der Nageloperationen ab. Die Vorbereitung des Arbeitsplatzes kann ebenfalls zur Reduzierung des Schallpegels beitragen, z. B. durch das Unterfüttern des Werkstücks mit schalldämpfenden Unterlagen.

Vibrationsinformationen (ISO 8662-11:1999)	Vibration	2,24 m/s <sup>2</sup>
		Unsicherheit

Dieser Wert ist ein auf das Werkzeug bezogener Kennwert und gibt nicht den Einfluss auf das Hand-Arm-System bei Verwendung wieder. Jeglicher Einfluss auf das Hand-Arm-System bei Verwendung des Werkzeuges hängt z. B. von der Griffkraft, der Kontaktdruckkraft, der Arbeitsrichtung, der Einstellung der Druckluftversorgung, dem Werkstück oder der Werkstückunterlage ab.

### SYMBOLS

Nachstehend sind Symbole aufgeführt, auf die Sie beim Werkzeuggebrauch stoßen können. Sie sollten noch vor Arbeitsbeginn ihre Bedeutung kennen.



Lesen und beachten Sie die Geräteaufkleber und die Anleitung. Die Nichtbeachtung kann zu schweren Verletzungen führen.



Anwender und andere Personen im Arbeitsbereich müssen einen stoßfesten Augenschutz mit Seitenschutz tragen.



Anwender und andere Personen im Arbeitsbereich müssen einen Gehörschutz tragen.



Das Gerät kann im Kontaktauslösungsmodus betrieben werden.




Verwenden Sie das Werkzeug nicht, wenn Sie sich auf einer Waage, einer Treppe oder einem Gerüst, einer Leiter oder leiterähnlichen Konstruktionen befinden, z. B. aus Dachlatten, beim Schließen von Kästen oder Kisten, wenn Transportsicherheitsysteme angebracht werden z.B. an Anhängern und LKW.



Verwenden Sie niemals Sauerstoff, Kohlendioxyd oder andere Flaschengase als Energiequelle für dieses Werkzeug.

## ALLGEMEINE SICHERHEITSHINWEISE

- 1. Lesen Sie diese Bedienungsanleitung, bevor Sie das Werkzeug verwenden, um Ihre persönliche Sicherheit sowie den ordnungsgemäßen Betrieb und die Wartung des Werkzeugs zu gewährleisten.** 
2. Bewahren Sie alle Warnhinweise und Anleitungen zum späteren Nachschlagen auf.
3. Das Werkzeug ist nur für den professionellen Gebrauch bestimmt. Verwenden Sie es nicht für andere Zwecke. Es ist nicht dafür ausgelegt, Befestigungsmittel direkt in ein hartes Material wie Stahl oder Beton einzutreiben.
4. Der Benutzer sollte die spezifischen Risiken einschätzen, die sich aus der jeweiligen Anwendung ergeben.
5. Jeder andere Gebrauch außer dem beabsichtigten Gebrauch dieses Werkzeugs ist verboten. Eintreibgeräte mit ständiger Kontaktauslösung oder Kontaktauslösung dürfen nur für Produktionsanwendungen verwendet werden.
6. Halten Sie die Finger vom Auslöser fern, wenn Sie dieses Werkzeug nicht benutzen, und wenn Sie von einer Arbeitsposition zu einer anderen wechseln.
7. Mehrfache Gefahren. Lesen und verstehen Sie die Sicherheitsanweisungen, bevor Sie Zubehör am Werkzeug anschließen, abtrennen, laden, betreiben, das Werkzeug warten, oder Zubehör am Werkzeug wechseln. Anderenfalls kann es zu schweren Körperverletzungen kommen.
8. Halten Sie alle Körperteile, wie Hände und Beine usw., aus der Schussrichtung fern, und stellen Sie sicher, dass das Befestigungselement nicht durch das Werkstück hindurch in Teile des Körpers eindringen kann.
9. Beachten Sie bei Benutzung des Werkzeugs, dass das Befestigungselement abgelenkt werden und Verletzungen verursachen kann.
10. Halten Sie das Werkzeug mit festem Griff, und richten Sie sich darauf ein, Rückstoß abzufangen.
11. Nur technisch versierte Bediener sollten das Eintreibgerät benutzen.
12. Unterlassen Sie jegliche Abänderung des Eintreibgeräts. Abänderungen können die Effektivität der Sicherheitsmaßnahmen verringern und die Gefahren für den Bediener und/oder Umstehende erhöhen.
13. Werfen Sie die Betriebsanleitung nicht weg.
14. Benutzen Sie ein Werkzeug nicht, wenn es beschädigt

worden ist.

15. Lassen Sie bei der Handhabung von Befestigungselementen, besonders beim Beladen und Entladen, Vorsicht walten, da die Befestigungselemente scharfe Spitzen aufweisen, die Verletzungen verursachen können.
16. Überprüfen Sie das Werkzeug vor Gebrauch immer auf beschädigte, falsch angeschlossene oder verschlissene Teile.
17. Strecken Sie sich bei der Arbeit nicht zu weit vor. Benutzen Sie das Werkzeug nur an einem sicheren Arbeitsplatz. Achten Sie stets auf sicheren Stand und gute Balance.
18. Halten Sie Umstehende fern (wenn Sie in einem Bereich arbeiten, wo die Wahrscheinlichkeit von durchgehendem Personenverkehr hoch ist). Markieren Sie Ihren Arbeitsbereich deutlich.
19. Richten Sie das Werkzeug niemals auf sich selbst oder andere Personen.
20. Legen Sie Ihren Finger nicht auf den Auslöser, wenn Sie das Werkzeug aufheben, sich zwischen Arbeitsbereichen und -positionen bewegen oder gehen, weil das zu einer unbeabsichtigten Betätigung führen kann. Werkzeuge mit selektiver Betätigung sind vor Gebrauch stets zu überprüfen, um sicherzustellen, dass der korrekte Modus gewählt ist.
21. Tragen Sie nur Handschuhe, die ein angemessenes Gefühl und sichere Kontrolle von Auslösern und Einstellvorrichtungen gewähren.
22. Legen Sie das Werkzeug im Ruhezustand auf einer ebenen Fläche ab. Wenn Sie den am Werkzeug angebrachten Aufhänger verwenden, hängen Sie das Werkzeug sicher an einer stabilen Oberfläche auf.
23. Unter dem Einfluss von Alkohol, Drogen oder dergleichen nicht in Betrieb nehmen.
24. Verwenden Sie das Werkzeug nicht, wenn Sie sich auf einer Waage, einer Treppe oder einem Gerüst, einer Leiter oder leiterähnlichen Konstruktionen befinden, z. B. aus Dachlatten, beim Schließen von Kästen oder Kisten, wenn Transportsicherheitsysteme angebracht werden z.B. an Anhängern und LKW.



## Gefahren von Geschossen

1. Das Eintreibgerät ist grundsätzlich von der Druckluftquelle zu trennen, wenn Befestigungselemente entladen, Einstellungen vorgenommen, Nagelstaus beseitigt oder Zubehöerteile gewechselt werden.
2. Achten Sie während der Arbeit darauf, dass die Befestigungselemente das Material korrekt durchdringen und nicht fälschlicherweise auf den Bediener und/oder Umstehende abgelenkt/ abgeschossen werden können.
3. Während der Arbeit können Bruchstücke vom Werkstück und Befestigungs-/Sammelsystem abgegeben werden.
4. Tragen Sie stets eine Schutzbrille, um Ihre Augen bei Verwendung von Elektrowerkzeugen vor Verletzung zu schützen. Die Brille muss den Vorschriften ANSI Z87.1 in den USA, EN 166 in Europa oder AS/NZS 1336 in Australien/Neuseeland entsprechen.



- In Australien/Neuseeland ist das Tragen eines Gesichtsschutzes gesetzlich vorgeschrieben, um auch Ihr Gesicht zu schützen. Der Arbeitgeber ist dafür verantwortlich, den Gebrauch von angemessener Schutzausrüstung für die Werkzeugbenutzer und andere Personen im unmittelbaren Arbeitsbereich durchzusetzen.
5. Die Gefahren für andere Personen sind vom Bediener zu beurteilen.
  6. Lassen Sie bei Werkzeugen ohne Werkstückkontakt Vorsicht walten, weil sie unbeabsichtigt ausgelöst werden können und den Bediener und/oder Umstehende verletzen können.
  7. Vergewissern Sie sich stets, dass das Werkzeug sicher auf dem Werkstück aufsitzt und nicht abrutschen kann.
  8. Tragen Sie einen Gehörschutz, um Ihre Ohren vor dem Auslassgeräusch zu schützen, und einen Kopfschutz. Tragen Sie außerdem leichte, aber keine weite Kleidung. Ärmel müssen zugeknöpft oder hochgerollt sein. Das Tragen einer Krawatte ist unzulässig.



### Gefahren beim Betrieb

1. Halten Sie das Werkzeug korrekt: richten Sie sich darauf ein, normalen oder plötzlichen Bewegungen, wie z. B. Rückstoß, entgegenzuwirken.
2. Behalten Sie eine ausbalancierte Körperhaltung und sicheren Stand bei.
3. Tragen Sie eine geeignete Schutzbrille; außerdem wird das Tragen geeigneter Handschuhe und Schutzkleidung empfohlen.
4. Tragen Sie einen geeigneten Gehörschutz.
5. Verwenden Sie die korrekte Energiequelle gemäß den Anweisungen in der Betriebsanleitung.
6. Benutzen Sie das Werkzeug nicht auf beweglichen Plattformen oder auf der Ladefläche von Lastwagen. Eine plötzliche Bewegung der Plattform kann zum Verlust der Kontrolle über das Werkzeug führen und Verletzungen verursachen.
7. Gehen Sie stets davon aus, dass sich Befestigungsmittel im Werkzeug befinden.
8. Arbeiten Sie nicht überhastet, und verwenden Sie das Werkzeug nicht mit zu hohem Kraftaufwand. Gehen Sie mit dem Werkzeug sorgfältig um.
9. Achten Sie beim Arbeiten mit dem Werkzeug auf sicheren Stand und auf Ihr Gleichgewicht. Stellen Sie sicher, dass sich bei Arbeiten an hochgelegenen Arbeitsplätzen keine Personen unterhalb Ihres Standorts aufhalten, und sichern Sie den Druckluftschlauch, um Gefahren durch plötzliches Rucken oder Hängenbleiben zu vermeiden.
10. Bewegen Sie sich beim Eintreiben von Befestigungsmitteln auf Dächern und anderen hochgelegenen Orten in Vorwärtsrichtung. Wenn Sie sich beim Arbeiten rückwärts bewegen, können Sie leicht den Stand verlieren. Arbeiten Sie beim Eintreiben von Befestigungsmitteln an senkrechten Flächen von oben nach unten. Das Arbeiten auf diese Weise ist weniger ermüdend.

11. Wenn Sie versehentlich auf ein anderes Befestigungsmittel oder auf einen Ast im Holz treffen, kann sich das Befestigungsmittel verbiegen oder im Werkzeug verklemmen. Das Befestigungsmittel kann herausgeschleudert werden und Personen treffen, oder das Werkzeug selbst kann gefährliche Bewegungen machen. Setzen Sie die Befestigungsmittel mit Sorgfalt.
12. Das mit Befestigungsmitteln geladene Werkzeug und den Kompressor nicht längere Zeit der Sonneneinstrahlung aussetzen - insbesondere, wenn sie unter Druck stehen. Achten Sie darauf, dass am Ablageplatz des Werkzeugs keine Fremdkörper wie Staub, Sand, Späne oder sonstige Materialien in das Werkzeug eindringen.
13. Treiben Sie Befestigungsmittel niemals gleichzeitig von innen und außen ein. Die Befestigungsmittel können durchschießen und/ oder umher fliegen und stellen eine große Gefahr dar.

### RSI-Syndrom verursachende Gefahren

1. Wird ein Werkzeug über längere Zeitspannen benutzt, kann der Bediener Beschwerden in Händen, Armen, Schultern, Nacken oder anderen Körperteilen verspüren.
2. Bei der Benutzung eines Werkzeugs sollte der Bediener eine geeignete, aber ergonomische Haltung annehmen. Behalten Sie sicheren Stand bei, und vermeiden Sie unbehagliche oder unausbalancierte Haltungen.
3. Falls der Bediener Symptome, wie z. B. anhaltende oder immer wiederkehrende Beschwerden, Schmerzen, Pochen, Reißen, Kribbeln, Taubheit, Brennen oder Steifigkeit verspürt, sollten diese Warnzeichen nicht ignoriert werden. Der Bediener sollte einen qualifizierten Gesundheitsexperten in Bezug auf allgemeine Aktivitäten konsultieren.
4. Fortgesetzter Gebrauch des Werkzeugs kann RSI-Syndrom durch den vom Werkzeug erzeugten Rückstoß verursachen.
5. Um RSI-Syndrom zu vermeiden, sollte sich der Bediener nicht übernehmen oder übermäßige Kraft anwenden. Darüber hinaus sollte der Bediener eine Pause einlegen, wenn er Müdigkeit verspürt.
6. Führen Sie eine Gefährdungsabschätzung bezüglich Gefahren durch wiederholte Beanspruchung durch. Diese sollte sich auf Muskel-Skelett-Erkrankungen konzentrieren und vorzugsweise auf der Annahme basieren, dass geringere Ermüdung während der Arbeit effektiv zur Reduzierung von Erkrankungen ist.

### Durch Zubehör und Verbrauchsmaterial verursachte Gefahren

1. Trennen Sie das Werkzeug von seiner jeweiligen Energiequelle, wie z. B. Luft oder Gas oder Batterie, wo anwendbar, bevor Sie Zubehörteile, wie z. B. den Werkstückkontakt, austauschen oder Einstellungen vornehmen.
2. Verwenden Sie nur Zubehörteile der vom Hersteller gelieferten Größen und Typen.
3. Verwenden Sie nur die in dieser Anleitung

empfohlenen Schmiermittel.

### **Gefahren am Arbeitsplatz**

1. Ausrutschen, Stolpern und Stürzen sind Hauptursachen für Verletzungen am Arbeitsplatz. Achten Sie auf schlüpfrige Oberflächen, die durch den Gebrauch des Werkzeugs verursacht werden, und auch auf Stolpergefahren, die durch den Druckluftschlauch verursacht werden.
2. Lassen Sie in fremden Umgebungen zusätzliche Sorgfalt walten. Verborgene Gefahren, wie z. B. Stromkabel oder andere Versorgungsleitungen, können vorhanden sein.
3. Dieses Werkzeug ist nicht für den Einsatz in potenziell explosiven Atmosphären vorgesehen und ist nicht gegen Kontakt mit Strom isoliert.
4. Vergewissern Sie sich, dass keine Stromkabel, Gasrohre usw. vorhanden sind, die bei Beschädigung durch den Einsatz des Werkzeugs eine Gefahr darstellen können.
5. Der Arbeitsplatz muss sauber, aufgeräumt und gut beleuchtet sein. Unordnung und Dunkelheit am Arbeitsbereich bringen Unfallgefahren mit sich.
6. Befolgen Sie etwaige örtliche Lärmschutzvorschriften, und halten Sie die vorgeschriebenen Grenzen für Geräuschpegel ein. In bestimmten Fällen muss der Lärmpegel mit Hilfe von Schallschutzwänden/-lamellen gedämpft werden.

### **Gefahren durch Staub und Abgase verursachte Gefahren**

1. Überprüfen Sie stets Ihre Umgebung. Die vom Werkzeug ausgeblasene Luft kann Staub oder Objekte aufwirbeln und den Bediener und/oder Umstehende treffen.
2. Lenken Sie die Abluft so, dass Aufwirbelung von Staub in einer staubgefüllten Umgebung minimiert wird.
3. Werden Staub oder Objekte im Arbeitsbereich emittiert, reduzieren Sie die Emissionen so weit wie möglich, um Gesundheitsrisiken und Verletzungsgefahr zu verringern.

### **Gefahren durch Lärm**

1. Ungeschützte Einwirkung von hohen Geräuschpegeln kann permanente, behindernde Gehörschädigung und andere Probleme wie Tinnitus (Klingeln, Sausen, Pfeifen oder Brummen in den Ohren) verursachen.
2. Führen Sie eine Gefährdungsabschätzung bezüglich Lärmgefahren im Arbeitsbereich durch, und realisieren Sie angemessene Kontrollen für diese Gefahren.
3. Geeignete Kontrollen zur Verringerung des Risikos können Maßnahmen, wie Dämpfungsmaterial, beinhalten, um „Klingeln“ von Werkstücken zu verhindern.
4. Verwenden Sie einen geeigneten Gehörschutz.
5. Betreiben und warten Sie das Werkzeug gemäß den Empfehlungen in dieser Anleitung, um eine unnötige Zunahme von Geräuschpegeln zu verhindern.
6. Ergreifen Sie Lärmreduzierungsmaßnahmen, indem Sie beispielsweise Werkstücke auf Schalldämpfungsstützen legen.

### **Gefahren durch Vibrationen**

1. Die Schwingungsemission während der Arbeit hängt von der Greifkraft, der Anpresskraft, der Arbeitsrichtung, der Einstellung der Energieversorgung, dem Werkstück und der Werkstückauflage ab. Führen Sie eine Gefährdungsabschätzung bezüglich Vibrationsgefahren durch, und realisieren Sie angemessene Kontrollen für diese Gefahren.
2. Einwirkung von Vibrationen kann behindernde Schäden an den Nerven und Blutgefäßen der Hände und Arme verursachen.
3. Tragen Sie beim Arbeiten unter kalten Bedingungen warme Kleidung, und halten Sie Ihre Hände warm und trocken.
4. Wenn Sie Taubheit, Kribbeln, Schmerzen oder Bleichwerden der Haut an Ihren Fingern oder Händen erleben, holen Sie sich medizinischen Rat von einem qualifizierten Berufsmediziner in Bezug auf allgemeine Aktivitäten.
5. Betreiben und warten Sie das Werkzeug gemäß den Empfehlungen in dieser Anleitung, um eine unnötige Zunahme von Vibrationspegeln zu verhindern.
6. Halten Sie das Werkzeug mit leichtem, aber sicherem Griff, weil die Gefährdung durch Vibrationen bei höherer Greifkraft im Allgemeinen größer ist.

### **Zusätzliche Warnungen für Druckluftwerkzeuge**

1. Druckluft kann schwere Verletzungen verursachen.
2. Stellen Sie immer die Druckluftversorgung ab, und trennen Sie das Werkzeug von der Druckluftversorgung, wenn es nicht benutzt wird.
3. Trennen Sie das Werkzeug immer von der Druckluftversorgung, bevor Sie Zubehörteile wechseln, Einstellungen und/oder Reparaturen vornehmen, und wenn Sie sich von einem Arbeitsbereich zu einem anderen bewegen.
4. Halten Sie die Finger vom Auslöser fern, wenn Sie dieses Werkzeug nicht benutzen, und wenn Sie von einer Arbeitsposition zu einer anderen wechseln.
5. Richten Sie Druckluft niemals auf sich selbst oder andere Personen.
6. Peitschende Schläuche können schwere Verletzungen verursachen. Prüfen Sie stets, ob beschädigte oder lockere Schläuche oder Anschlussstutzen vorhanden sind.
7. Tragen Sie ein Druckluftwerkzeug niemals an seinem Schlauch.
8. Ziehen Sie ein Druckluftwerkzeug niemals an seinem Schlauch.
9. Bei Benutzung von Druckluftwerkzeugen darf der maximale Betriebsdruck  $p_{s \max}$  nicht überschritten werden.
10. Druckluftwerkzeuge sollten nur mit Druckluft bei der niedrigsten für den Arbeitsvorgang erforderlichen Druckeinstellung betrieben werden, um Lärm und Vibrationen zu verringern und Verschleiß zu minimieren.
11. Die Verwendung von Sauerstoff



oder brennbaren Gasen für den Betrieb von Druckluftwerkzeugen erzeugt eine Brand- und Explosionsgefahr.

2. Lassen Sie bei der Benutzung von Druckluftwerkzeugen Vorsicht walten, weil das Werkzeug kalt werden könnte, wodurch Griff und Kontrolle beeinflusst werden.

### **Zusätzliche Warnungen für Werkzeuge mit Kontaktauslösungsvermögen**

1. Legen Sie Ihren Finger nicht auf den Auslöser, wenn Sie das Werkzeug aufheben, sich zwischen Arbeitsbereichen und -positionen bewegen oder gehen, weil das zu einer unbeabsichtigten Betätigung führen kann.
2. Wenn das Werkzeug entweder über die Auswahl zwischen Einzelkontaktauslösung und Dauerkontaktauslösung verfügt oder es sich um ein Gerät mit Einzelkontaktauslösung oder mit Dauerkontaktauslösung mit nebenstehendem Symbol handelt, sind die vorgesehenen Anwendungen Produktionsanwendungen wie z. B. Palettenbau, Möbelbau, Fertighäuser, Polstern und Folienbefestigung.
3. Verwenden Sie die Kontaktauslösung nicht bei Anwendungen wie z. B. dem Schließen von Kisten und Verschlüssen oder dem Anbringen von Transportsicherungen an Anhängern und LKW.
4. Achtung: das Gerät darf nur an einem sicheren Arbeitsplatz verwendet werden.
5. Seien Sie vorsichtig beim Wechseln von einer Eintreibstelle zur nächsten.



### **LADEN**

1. Trennen Sie das Werkzeug von der Druckluftversorgung ab. (Figure 3)
2. Lösen Sie das Magazin, indem Sie auf den Hebel drücken. (Figure 4)
3. Laden von Drahtstiften: Halten Sie die Nagelpistole nach unten und laden Sie einen Streifen Nägel in die Kartusche, wobei die Spitzen nach unten weisen. (Figure 5) Drücken Sie auf die Schiene, bis sie mit einem Klicken einrastet. (Figure 6)
4. Verwenden Sie nur empfohlene Befestigungselemente (siehe technische Daten).
5. Das in der Bedienungsanleitung angegebene Werkzeug und die Befestigungselemente gelten als ein Sicherheitssystem.

### **VERWENDUNG DES WERKZEUGS**

1. Halten Sie das Werkzeug von sich und anderen Personen entfernt und schließen Sie es an die Druckluftversorgung an. (Figure 1)
2. Werkzeuge sind mit dem für die Anwendung niedrigst möglichen Druck zu betreiben. Dies reduziert Schallpegel, Teileverschleiß und Energieverbrauch.
3. Drücken Sie die Nase des Werkzeuges auf das zu befestigende Werkstück und drücken Sie auf den Auslöseschalter, um Befestigungselemente auszuschießen. (Figure 7)  
Stellen Sie den für das Eindringen der

Befestigungselemente erforderlichen Minimaldruck ein. Führen Sie dann einige Versuche durch, Sie mit dem niedrigsten Druck beginnen.

4. Prüfen Sie, ob das Befestigungsmaterial entsprechend den Anforderungen in das Werkstück eingetrieben wurde.
  - wenn das Befestigungsmittel nicht vollständig eingetrieben wurde, erhöhen Sie den Luftdruck in Schritten von 0,5 bar und überprüfen Sie das Ergebnis nach jeder neuen Einstellung.
  - wenn das Befestigungsmittel zu tief eingetrieben wird, reduzieren Sie den Luftdruck in Schritten von 0,5 bar, bis das Ergebnis zufriedenstellend ist.
5. Sie sollten immer bemüht sein, mit dem geringstmöglichen Luftdruck zu arbeiten.
6. Halten Sie das Werkzeug beim Arbeiten so, dass Sie sich bei einem möglichen Rückschlag, hervorgerufen durch eine Unterbrechung in der Energieversorgung oder durch harte Teile im Werkstück, nicht am Kopf oder Körper verletzen können.
7. Trennen Sie das Gerät vom Druckluftsystem, bevor Sie es an einen anderen Ort transportieren, insbesondere wenn Leitern genutzt werden oder während der Bewegung eine ungewöhnliche Körperhaltung eingenommen wird.
8. Tragen Sie das Werkzeug nur am Griff und niemals mit gedrücktem Auslösehebel.
9. Berücksichtigen Sie die Bedingungen am Arbeitsplatz. Befestigungsmittel können dünne Werkstücke durchdringen oder von Ecken und Kanten von Werkstücken abrutschen und somit Personen gefährden.
10. Verwenden Sie aus Sicherheitsgründen Schutzausrüstung wie Gehör- und Augenschutz.
11. Der Auslöser und die Auslösesicherung müssen für jeden Eintreibvorgang betätigt werden, wobei die Reihenfolge der Betätigung nicht vorgeben ist. Für anschließende Eintreibvorgänge reicht es aus, wenn entweder der Auslöser betätigt bleibt und die Auslösesicherung betätigt wird, oder umgekehrt.
12. Vermeiden Sie das Auslösen des Werkzeugs, wenn das Magazin leer ist.
13. Ein defektes oder nicht einwandfrei arbeitendes Eintreibgerät muss sofort von der Pneumatik-Druckquelle getrennt werden und einem Spezialisten zur Prüfung übergeben werden.
14. Bei längeren Arbeitspausen oder Arbeitsende trennen Sie das Gerät von der Pneumatik-Druckquelle. Es wird empfohlen, das Magazin zu entleeren.
15. Die Druckluftanschlüsse des Werkzeugs und der Schläuche sind vor Verschmutzung zu schützen. Das Eindringen von grobem Staub, Spänen, Sand usw. führt zu Undichtigkeiten und zur Beschädigung des Werkzeugs und der Kupplungen.

### **DRUCKLUFTSYSTEM**

1. Für den einwandfreien Betrieb des Eintreibwerkzeugs ist gefilterte, trockene und geölte Druckluft in ausreichenden Mengen erforderlich. (Figure 11)

2. Übersteigt der Luftdruck im Leitungssystem den maximal zulässigen Druck des Werkzeugs zum Eintreiben von Befestigungselementen, ist in der Versorgungsleitung des Werkzeugs zusätzlich ein Druckminderventil und ein nachgeschaltetes Druckbegrenzungsventil anzubringen.
3. Verbinden Sie das Eintreibwerkzeug mit der Pneumatik-Druckquelle durch einen mit Schnellkupplungen ausgerüsteten, zweckmäßigen Druckschlauch. **(Figure 1)**
4. Die Kompressoranlage muss hinsichtlich Druckleistung und Leistung (Volumenstrom) für den zu erwartenden Verbrauch ausreichend dimensioniert sein. Zu kleine Leitungsabschnitte im Verhältnis zur Leitungslänge (Rohre und Schläuche) sowie eine Überlastung des Kompressors führen zu Druckabfällen.
5. Fest verlegte Druckluftleitungen sollten einen Innendurchmesser von mindestens 19 mm und einen entsprechend großen Durchmesser haben, wenn relativ lange Leitungen oder mehrere Benutzer beteiligt sind.
6. Druckluftleitungen sind so zu verlegen, dass ein Gefälle entsteht (höchster Punkt in Richtung Kompressor). Leicht zugängliche Wasserabscheider sollten an den tiefsten Stellen installiert werden.
7. Abzweigungen für Benutzer sollten von oben an die Leitungen angeschlossen werden.
8. Anschlussstellen für Eintreibwerkzeuge sollten mit einer Druckluftwartungseinheit (Filter/ Wasserabscheider/Öler) direkt an der Anschlussstelle versehen werden.
9. Öler müssen täglich überprüft und gegebenenfalls mit der empfohlenen Ölart aufgefüllt werden (siehe TECHNISCHE DATEN). Bei Schlauchlängen über 10 m kann die Ölversorgung für das Eintreibwerkzeug nicht garantiert werden. Wir empfehlen daher, 2 bis 5 Tropfen (abhängig von der Belastung des Eintreibwerkzeugs) des empfohlenen Öls (siehe TECHNISCHE DATEN) über den Lufterlass des Werkzeugs oder über einen Öler, der direkt am Schraubwerkzeug angebracht ist, einzufüllen.

### FEHLERSUCHE UND WARTUNG

1. Wenn die Befestigungselemente verklemmen, trennen Sie das Werkzeug von der **(Figure 3)**
2. Druckluftversorgung. Lösen Sie das Magazin und schieben Sie die Schiene zurück. **(Figure 8)** Entfernen Sie verklemmte Befestigungselemente.
3. Oder durch Lösen der zwei Schrauben an der Frontplatte und Herausziehen. **(Figure 9)** Beseitigen Sie die Störung, setzen Sie die Frontplatte wieder auf und ziehen Sie die Schrauben an. **(Figure 10)**

### WARTUNG:

1. Prüfen Sie das Werkzeug bei abgetrennter Druckluftversorgung täglich auf freie Beweglichkeit von Auslösesicherung und Auslöseschalter.
2. Alle Schrauben müssen fest angezogen sein. **(Figure 2)**  
Lockere Schrauben führen zu einem unsicheren

3. Betrieb und zur Beschädigung von Teilen. Geben Sie 2 - 3 Tropfen Öl in den Lufterlass.
3. Verwenden Sie nur das in den technischen Daten empfohlene Öl. Halten Sie das Werkzeug sauber. Reinigen Sie es regelmäßig mit einem trockenen Tuch und prüfen Sie es auf Verschleiß. Schmieren Sie gelegentlich die beweglichen Teile des Magazins, um Verschleiß vorzubeugen.
4. Verwenden Sie keine brennbaren Reinigungslösungen. Tauchen Sie das Werkzeug nicht ein und verwenden Sie kein Lösungsmittel; diese können O-Ringe und andere empfindliche Teile des Werkzeugs beschädigen. Verwenden Sie saubere, trockene Luft. Verwenden Sie möglichst eine Druckluft-Wartungseinheit in der Zuleitung zum Werkzeug. Andere als die hier beschriebenen Wartungsarbeiten dürfen nur von geschultem, qualifiziertem Personal oder von Kundendienstpersonal des Herstellers durchgeführt werden.

### ERSATZTEILLISTE

Befolgen Sie bei der Entsorgung des Werkzeugs die örtlichen Vorschriften.

### PMP171 Ersatzteilliste (Figure 12)

Nr.	Art.-Nr.	Bezeichnung
A	5001346	Ventilkopf-, Zylinder- und Kolbenset
B	5001347	Sicherheitshebelset
C	5001348	Magazinsset

# CLOUEUR PNEUMATIQUE PMP171

## Notice technique - Traduction de l'original

FR

### SPECIFICATIONS TECHNIQUES

<b>Dimensions de l'outil</b>	Hauteur	190 mm
	Longueur	230 mm
	Largeur	48 mm
	Poids sans clou	0,95 kg
	Poids avec clous les plus lourds	0,96 kg
<b>Connexion air comprimé</b>		1/4"
<b>Pression maxi admissible</b>		8 bar
<b>Pression de travail</b>	Mini	5 bar
	Maxi	7 bar
<b>Mode de déclenchement</b>	Déclenchement par contact	
<b>Projectiles recommandés</b>	Rapid 23P: 15 -> 35 mm	
<b>Dimensions du clou</b>	Ø0,64mm - 23Ga	
<b>Capacité de projectiles du magasin</b>	150	
<b>Lubrifiant pneumatique recommandé</b>	Huile hydraulique ISO 46 ou équivalent	
	LpA, 1s, d	70,9 dB
<b>Informations sur le niveau de bruit (EN 12549:1999)</b>	incertitude	2,5 dB
	LwA, 1s, d	83,9 dB
	incertitude	2,5 dB
	LpC, peak	109 dB
	incertitude	2,5 dB

Ces valeurs sont des caractéristiques de l'outil qui ne représente pas l'émission de bruit au poste de travail. Le niveau de bruit au poste de travail dépend de l'environnement du poste, de la nature de la pièce travaillée, du support de la pièce et de la cadence d'utilisation de l'outil. L'environnement de travail et la conception adaptée du poste de travail peuvent contribuer à la réduction des niveaux de bruit. Placer, par exemple, des amortisseurs de bruit sous les pièces travaillées.

<b>Informations sur les vibrations (ISO 8662-11:1999)</b>	Vibration	2,24 m/s <sup>2</sup>
	incertitude	0,332 m/s <sup>2</sup>

Cette valeur est une caractéristique de l'outil et ne représente pas l'influence des vibrations sur la main ou le bras de l'utilisateur. L'influence des vibrations sur la main ou le bras de l'utilisateur peut dépendre par exemple du serrage exercé sur la poignée, de la pression de contact, de la direction de travail, de la nature de la pièce travaillée ou du support de la pièce travaillée.

### SYMBOLES

Les symboles utilisés pour l'outil sont indiqués ci-dessous. Assurez-vous d'avoir bien compris leur signification avant d'utiliser l'outil.



Lisez et comprenez les étiquettes et le manuel de l'appareil. Le non-respect des avertissements peut entraîner des blessures graves.



Les opérateurs et autres personnes dans la zone de travail doivent porter une protection oculaire résistante aux chocs avec des écrans latéraux.



Les opérateurs et autres personnes dans la zone de travail doivent porter une protection auditive.



L'appareil a la capacité de fonctionner en mode déclenchement par contact



N'utilisez pas l'outil lorsque vous êtes sur une échelle, des escaliers ou des échafaudages. Ne pas utiliser pour des utilisations spécifiques telles que : - en mouvement sur des échafaudages, escaliers ou constructions comme les lattis de toit, - pour fermer des caisses ou des boîtes, - pour fixer des systèmes d'arrimage sur véhicules ou remorques.



Ne jamais utiliser de l'oxygène, du gaz carbonique ou tout autre gaz en bouteille comme source d'énergie pour cet outil.

### CONSIGNES DE SÉCURITÉ GÉNÉRALES

#### 1. Pour votre propre sécurité et pour un fonctionnement et un entretien adéquats de l'outil, veuillez lire ce mode d'emploi avant d'utiliser l'outil.



2. Conservez toutes les mises en garde et instructions pour référence ultérieure.
3. L'outil est conçu pour des applications professionnelles uniquement. Ne pas l'utiliser pour d'autres usages. Il n'est pas conçu pour enfoncer des fixations directement dans une surface dure comme l'acier ou le béton.
4. L'utilisateur doit évaluer les risques spécifiques résultant de chaque utilisation.
5. Toute autre utilisation que celle prévue pour cet outil est interdite. Les outils destinés à enfoncer des fixations avec commande par contact en continu ou commande par contact ne doivent être utilisés que pour les applications productives.
6. Éloignez les doigts de la gâchette lorsque vous n'utilisez pas l'outil et lorsque vous vous déplacez d'un point à



un autre.

7. Risques multiples. Lisez et comprenez les consignes de sécurité avant de brancher, débrancher, charger, utiliser, entretenir l'outil ou de changer des accessoires ou travailler à proximité de l'outil. Le non-respect de cette consigne peut entraîner de graves blessures corporelles.
8. Éloignez les parties du corps comme les mains ou les jambes du sens d'éjection des fixations et assurez-vous qu'elles ne peuvent pas pénétrer par la pièce dans des parties de votre corps.
9. Lorsque vous utilisez l'outil, soyez conscient que le consommable peut dévier et vous blesser.
10. Maintenez fermement l'outil et soyez prêt à affronter un mouvement de recul.
11. Seuls les utilisateurs aux compétences techniques avancées doivent utiliser un outil destiné à enfoncer des fixations.
12. Ne modifiez pas un outil destiné à enfoncer des fixations. Les modifications peuvent réduire l'efficacité des mesures de sécurité et augmenter les risques pour l'utilisateur et/ou les badauds.
13. Ne jetez pas le manuel d'instructions.
14. N'utilisez pas l'outil s'il est endommagé.
15. Prenez garde lorsque vous manipulez des fixations, particulièrement lors de leur insertion et retrait, étant donné qu'elles présentent des bouts pointus susceptibles de vous blesser.
16. Inspectez toujours l'outil avant de l'utiliser pour s'assurer qu'il n'a pas de pièces cassées, mal branchées ou usées.
17. Ne vous penchez pas trop loin. N'utilisez l'outil que dans un lieu de travail sécuritaire. Maintenez constamment une bonne assise et un bon équilibre.
18. Écartez les badauds (lorsque vous travaillez dans un endroit au flux incessant de personnes). Marquez clairement votre zone de travail.
19. Ne dirigez jamais l'outil vers vous-même ou quelqu'un d'autre.
20. Ne posez pas le doigt sur la gâchette lorsque vous ramassez l'outil, vous déplacez d'une zone ou position de travail à une autre ou en marchant, étant donné que cela peut entraîner un déclenchement inopiné. Pour les outils avec commande sélective, inspectez toujours l'outil avant utilisation afin de vous assurer que le bon mode est sélectionné.
21. Portez uniquement des gants garantissant une sensation adéquate et une maîtrise sûre des gâchettes et de tout autre dispositif de réglage.
22. Lorsque vous posez l'outil, placez-le sur une surface plane. Si vous utilisez le crochet prévu sur l'outil, accrochez solidement l'outil à une surface stable.
23. N'utilisez pas l'outil si vous avez consommé de l'alcool, des drogues ou des médicaments, etc.
24. N'utilisez pas l'outil lorsque vous êtes sur une échelle, des escaliers ou des échafaudages. Ne pas utiliser pour des utilisations spécifiques telles que : - en mouvement



sur des échafaudages, escaliers ou constructions comme les lattis de toit, - pour fermer des caisses ou des boîtes, - pour fixer des systèmes d'arrimage sur véhicules ou remorques.

### Risques de projection

1. Un outil destiné à enfoncer des fixations doit être débranché lorsque vous retirez les fixations, effectuez des réglages, enlevez les fixations coincées ou changez d'accessoires.
2. Pendant le fonctionnement, assurez-vous que les fixations pénètrent correctement le matériau et ne peuvent pas être déviées ou éjectées en direction de l'utilisateur et/ou des badauds.
3. Pendant le fonctionnement, des débris provenant de la pièce et du système de serrage/ collationnement peuvent être expulsés.
4. Pour protéger vos yeux des blessures lorsque vous utilisez un outil électrique, portez toujours des lunettes de protection, lesquelles doivent être conformes à ANSI Z87.1 aux États-Unis, EN 166 en Europe ou AS/NZS 1336 en Australie/Nouvelle-Zélande. En Australie/ Nouvelle-Zélande, la loi exige également le port d'un écran facial pour se protéger le visage. L'employeur est responsable d'imposer le port d'équipements de sécurité appropriés par les utilisateurs de l'outil et par les autres personnes se trouvant à proximité de la zone de travail.
5. Les risques pour autrui doivent être évalués par l'utilisateur.
6. Prenez garde avec les outils sans contact de la pièce, car ils peuvent être déclenchés brusquement et blesser l'utilisateur et/ou les badauds.
7. Assurez-vous que l'outil est toujours bien engagé sur la pièce et ne peut pas glisser.
8. Portez des protège-tympons pour protéger vos oreilles contre le bruit d'échappement et portez un casque de sécurité. En outre, les vêtements portés doivent être légers et ne doivent pas être amples. Boutonnez ou retrousses vos manches. Ne portez pas de cravate.



### Risques liés au fonctionnement

1. Tenez correctement l'outil : soyez prêt à neutraliser des mouvements habituels ou brusques comme un recul.
2. Conservez un bon équilibre général et une bonne assise.
3. Des lunettes de sécurité appropriées doivent être utilisées et il est recommandé de porter des gants et des vêtements de protection adéquats.
4. Portez des protège-tympons adéquats.
5. Utilisez une source d'énergie correcte comme indiqué dans le manuel d'instructions.
6. N'utilisez pas l'outil sur une plateforme mobile ou à l'arrière d'un camion. Un mouvement brusque de la plateforme pourrait vous faire perdre le contrôle de l'outil et vous blesser.
7. Supposez toujours que l'outil contient des consommables.

8. Ne travaillez pas trop vite, ni ne forcez l'outil. Manipulez l'outil avec précaution.
9. Regardez où vous posez les pieds et maintenez votre équilibre pendant l'utilisation de l'outil. Assurez-vous qu'il n'y a personne au-dessous de vous lorsque vous travaillez en hauteur et fixez le tuyau d'air afin d'éviter une situation dangereuse s'il est brusquement secoué ou coincé.
10. Sur les toits et sur d'autres emplacements en hauteur, procédez au vissage tout en avançant. Il est facile de perdre l'équilibre en procédant au vissage en reculant. Si vous procédez au vissage sur une surface perpendiculaire, travaillez de haut en bas. De cette façon, le travail de vissage sera moins fatigant.
11. Le consommable se pliera ou l'outil peut se bloquer si vous fixez par inadvertance sur un autre consommable ou heurtez un nœud dans le bois. Le consommable peut être projeté et frapper quelqu'un, ou bien l'outil lui-même peut réagir de manière dangereuse. Choisissez l'emplacement des consommables avec soin.
12. Ne laissez pas l'outil chargé ou le compresseur d'air sous pression pendant une période prolongée dehors au soleil. Assurez-vous de toujours déposer l'outil dans un endroit où la poussière, le sable, les copeaux et les corps étrangers ne risquent pas d'y pénétrer.
13. Ne tentez jamais de fixer de l'intérieur et de l'extérieur simultanément. Les consommables pourraient se fendre et/ou voler en éclats, ce qui présente un danger grave.

### **Risques de mouvements répétitifs**

1. Lors de l'utilisation d'un outil pendant des périodes prolongées, l'utilisateur peut ressentir une gêne dans les mains, les bras, les épaules, le cou ou d'autres parties du corps.
2. Pendant qu'il se sert d'un outil, l'utilisateur doit adopter une posture à la fois adéquate et ergonomique. Conservez une bonne assise et évitez les postures inconfortables ou déséquilibrées.
3. Si vous ressentez des symptômes comme une gêne persistante ou récurrente, une douleur, des palpitations, des courbatures, des fourmillements, un engourdissement, une sensation de brûlure ou une raideur, n'ignorez pas ces signes avant-coureurs. L'utilisateur doit consulter un professionnel des soins de santé qualifié concernant l'ensemble des activités.
4. L'utilisation continue de l'outil peut provoquer des microtraumatismes répétés en raison du recul produit par l'outil.
5. Pour éviter des microtraumatismes répétés, l'utilisateur ne doit pas se pencher trop loin ou utiliser une force excessive. De plus, l'utilisateur doit faire une pause lorsqu'il se sent fatigué.
6. Réalisez une évaluation du risque à propos des dangers liés aux mouvements répétitifs. Elle doit se concentrer sur les troubles musculo-squelettiques et reposer de préférence sur l'hypothèse que la réduction de la fatigue pendant le travail diminue efficacement les troubles.

### **Risques présentés par les accessoires et les pièces consommables**

1. Déconnectez la source d'énergie de l'outil, à savoir l'air, le gaz ou une batterie selon le cas, avant de changer/remplacer des accessoires comme un contact de la pièce ou avant d'effectuer des réglages.
2. Utilisez uniquement les tailles et types d'accessoires fournis par le fabricant.
3. Utilisez uniquement les lubrifiants recommandés dans ce manuel.

### **Risques sur le lieu de travail**

1. Glisser, trébucher et tomber sont les principales causes de blessures sur le lieu de travail. Prenez garde aux surfaces glissantes résultant de l'utilisation de l'outil et prenez soin également de ne pas trébucher dans le tuyau de la ligne d'air.
2. Redoublez de précaution dans les environnements inconnus. Des dangers cachés comme les lignes électriques ou d'autres services publics peuvent exister.
3. Cet outil n'est pas conçu pour être utilisé dans des atmosphères potentiellement explosives et n'est pas isolé en cas de contact avec le courant électrique.
4. Assurez-vous qu'il n'y a pas de câbles électriques, de conduites de gaz, etc., présentant un risque s'ils sont endommagés suite à l'utilisation de l'outil.
5. Conservez la zone de travail propre et bien éclairée. Les zones de travail en désordre ou mal éclairées sont propices aux accidents.
6. Il se peut que des réglementations locales s'appliquent concernant les niveaux de bruit permis. Veuillez les respecter. Dans certains cas, des volets doivent être installés pour réduire le bruit.

### **Risques présentés par la poussière et les dégagements**

1. Soyez toujours vigilant à ce qui vous entoure. L'air sortant de l'outil peut souffler de la poussière ou des objets et frapper l'utilisateur et/ou les badauds.
2. Dirigez le dégagement de sorte à minimiser la perturbation des poussières dans un environnement poussiéreux.
3. Si de la poussière ou des objets sont soufflés dans la zone de travail, réduisez autant que possible les émissions pour diminuer les dangers pour la santé et les risques de blessures.

### **Risques liés au bruit**

1. L'exposition non protégée à des niveaux de bruit élevés peut entraîner une perte auditive permanente handicapante et d'autres problèmes comme des acouphènes (tintement, sifflement ou bourdonnement dans les oreilles).
2. Réalisez une évaluation du risque à propos des risques liés au bruit dans la zone de travail et mettez en place des contrôles adéquats pour ces dangers.
3. Des contrôles appropriés pour réduire le risque peuvent inclure des mesures comme des matériaux amortissant pour empêcher les pièces de « tinter ».
4. Utilisez des protège-tympans appropriés.

- Faites fonctionner et entretenez l'outil comme recommandé dans ces instructions pour éviter une hausse inutile des niveaux de bruit.
- Prenez des mesures de réduction du bruit, par exemple en plaçant les pièces à travailler sur des supports atténuant le bruit.

### Risques liés aux vibrations

- L'émission de vibration pendant le fonctionnement dépend de la tension d'adhérence, de la force de pression par contact, du sens de travail, du réglage de l'alimentation, de la pièce à travailler et de son support. Réalisez une évaluation du risque à propos des risques liés aux vibrations et mettez en place des contrôles adéquats pour ces dangers.
- L'exposition à des vibrations peut provoquer des lésions nerveuses handicapantes et nuire à l'approvisionnement en sang des mains et des bras.
- Portez des vêtements chauds lorsque vous travaillez dans un environnement froid et maintenez vos mains au chaud et au sec.
- Si vous ressentez un engourdissement, des fourmillements, une douleur ou remarquez un blanchiment de la peau de vos doigts ou mains, demandez conseil à un professionnel des soins de santé qualifié concernant l'ensemble des activités.
- Faites fonctionner et entretenez l'outil comme recommandé dans ces instructions pour éviter une hausse inutile des niveaux de vibration.
- Serrez légèrement l'outil en le tenant bien en main, car le risque de vibration est généralement plus important lorsque la force de préhension est plus élevée.

### Avvertissements supplémentaires pour outils pneumatiques

- L'air comprimé peut provoquer de graves blessures.
- Coupez toujours l'alimentation en air et débranchez l'outil de l'alimentation en air lorsque vous ne l'utilisez pas.
- Débranchez toujours l'outil de l'alimentation en air comprimé avant de changer des accessoires, d'effectuer des réglages et/ou des réparations, lorsque vous passez d'une zone de travail à une autre zone.
- Éloignez les doigts de la gâchette lorsque vous n'utilisez pas l'outil et lorsque vous vous déplacez d'un point à un autre.
- Ne dirigez jamais l'air comprimé vers vous-même ou quelqu'un d'autre.
- Les coups de fouet des tuyaux peuvent provoquer de graves blessures. Vérifiez toujours que les tuyaux ou raccords ne sont pas endommagés ou lâches.
- Ne transportez jamais un outil pneumatique par son tuyau.
- Ne traînez jamais un outil pneumatique par son tuyau.
- Lorsque vous utilisez un outil pneumatique, ne dépassez pas la pression de service maximum ps max.
- Les outils pneumatiques ne doivent être alimentés par de l'air comprimé qu'à la plus basse pression requise pour la tâche afin de réduire le bruit et les vibrations, et

de limiter l'usure au minimum.

- L'utilisation d'oxygène ou de gaz combustibles pour faire fonctionner les outils pneumatiques présente un risque d'incendie et d'explosion.
- Prenez garde lorsque vous utilisez un outil pneumatique, étant donné que l'outil peut devenir froid, affectant la prise et la maîtrise.



### Avvertissements supplémentaires pour outils avec commande par contact

- Ne posez pas le doigt sur la gâchette lorsque vous ramassez l'outil, vous déplacez d'une zone ou position de travail à une autre ou en marchant, étant donné que cela peut entraîner un déclenchement inopiné.
- Si cette machine comporte un déclenchement sélectif pour le déclenchement par contact ou le déclenchement en rafale à l'aide d'un sélecteur de mode déclenchement, ou s'il s'agit d'une machine à déclenchement par contact ou à déclenchement en rafale, et marquée avec le symbole ci-contre, ses usages prévus sont des applications de production telles que fabrication de palettes, meubles, maisons préfabriquées, capitonnage et revêtement.
- Ne pas utiliser cette machine en déclenchement par contact pour des applications telles que la fermeture de boîtes ou de caisses et la fixation de systèmes de sécurité pour le transport sur des remorques ou poids lourds.
- Attention: la machine doit être utilisée uniquement dans un environnement de travail sûr.
- Faire attention lors d'un passage d'un point d'enfoncement à un autre.



### CHARGEMENT

- Débrancher l'outil de l'arrivée d'air comprimé. (Figure 3)
- Enfoncer le loquet et ouvrir le rail en le glissant. (Figure 4)
- Chargement en pointes : Tout en maintenant le cloueur dirigé vers le bas, mettre une bande de pointes dans le chargeur en mettant la pointe des clous contre le bas du chargeur. (Figure 5) Repousser le rail jusqu'à encliquetage. (Figure 6)
- N'utiliser que des projectiles d'origine (voir les spécifications techniques).
- L'appareil et les fixations spécifiées dans les instructions d'emploi doivent être considérées du point de vue de la sécurité comme un système unique

### UTILISATION DE L'OUTIL

- Maintenir l'outil pointé à l'écart de soi-même et des autres personnes, et raccorder l'outil à l'air comprimé. (Figure 1)
- Les outils doivent être utilisés à la pression la plus faible requise pour le travail à effectuer. Cela réduira le niveau de bruit, l'usure de l'outil et la demande en énergie.
- Appuyer le nez de l'outil sur la surface de travail en

- exerçant une pression puis appuyer sur la gâchette pour déclencher le tir. **(Figure 7)**
- Régler la pression au minimum nécessaire pour la pénétration des projectiles. Procéder par essai, en commençant par la plus faible.
4. Vérifiez si la fixation a été enfoncée dans la pièce conformément aux exigences.
    - si la fixation dépasse, augmenter la pression d'air par incréments de 0,5 bar, en vérifiant le résultat après chaque nouveau réglage;
    - si la fixation est enfoncée dans une profondeur excessive, réduire la pression d'air par incréments de 0,5 bar jusqu'à ce que le résultat soit satisfaisant.
  5. Vous devez en tout cas vous efforcer de travailler avec la pression d'air la plus basse possible.
  6. Tenez l'appareil pendant le travail de manière à ce qu'aucune blessure ne puisse être causée à la tête ou au corps en cas de recul possible suite à une interruption de l'alimentation en énergie ou des zones dures de la pièce.
  7. Pour le transport, le cloueur doit être débranchée de la source d'air comprimé, en particulier si l'on doit utiliser une échelle ou se mettre dans une position inhabituelle.
  8. Ne porter le cloueur que par la poignée sans jamais mettre le doigt sur la gâchette.
  9. Prendre en considération les conditions du poste de travail. Les fixations peuvent traverser les pièces minces ou glisser des coins et des bords des pièces à travailler et blesser d'autres personnes.
  10. Pour votre sécurité personnelle, utilisez des équipements de protection tels que des protections auditives et oculaires.
  11. La gâchette et le palpeur de sécurité doivent être actionnées pour chaque opération, l'ordre d'actionnement n'étant pas spécifié. Pour les opérations répétées, il suffit que la gâchette reste activée et que le palpeur de sécurité soit activée par la suite, ou vice versa.
  12. Éviter d'actionner la gâchette de l'appareil si le magasin est vide.
  13. En cas de défaut ou de fonctionnement incorrect, l'appareil doit immédiatement être débranché de l'alimentation en air comprimé et remis à un spécialiste pour vérification.
  14. Pendant les pauses de travail prolongées ou à la fin de la période de travail, débrancher l'appareil de la source d'énergie et il est recommandé de vider le magasin.
  15. Protéger les raccords d'air comprimé du cloueur et les tuyaux souples contre tout polluant. La pénétration de grosses poussières, de copeaux, de sable etc... provoquera des fuites et endommagera le cloueur. Préserver l'appareil de l'humidité.
2. Si la pression du réseau d'air comprimé est supérieure à la pression de service admissible du cloueur, un robinet de réduction de pression muni d'une soupape de sûreté en aval doit être installé sur le réseau d'air comprimé.
  3. Raccorder le cloueur au réseau d'air comprimé en utilisant un tuyau souple adapté à la pression, et équipé de raccords rapides. **(Figure 1)**
  4. Le dispositif de compression doit être dimensionné à l'égard de la capacité de pression et d'aspiration (courant volumétrique) pour la consommation estimée. Des sections de conduite trop petites à proportion de la longueur de la conduite (conduits ou tuyaux) ou surcharge du compresseur mènent à une réduction de pression.
  5. Pour les conduites d'air comprimé fixes, il est recommandé d'avoir un diamètre intérieur de 19 mm au minimum et d'augmenter ce diamètre en fonction de la longueur des conduites et du nombre d'utilisateurs.
  6. Il convient d'installer les conduites d'air comprimé avec une pente (le point le plus haut vers le compresseur). Il est recommandé d'installer des séparateurs d'eau facilement accessibles aux points les plus bas.
  7. Il convient d'installer les points de branchement pour les utilisateurs sur le dessus des tuyauteries.
  8. Il est recommandé d'installer les points de branchement des machines à enfoncer les fixations directement au point de raccordement d'un dispositif d'entretien de l'air comprimé (filtre/séparateur d'eau/graisseur).
  9. Les graisseurs doivent être vérifiés quotidiennement et remplis si nécessaire avec l'huile recommandée (voir DONNEES TECHNIQUES). Lorsque l'on utilise des tuyaux flexibles de plus de 10 m de long, l'alimentation en huile du cloueur n'est pas garantie. Nous recommandons donc d'ajouter 2 à 5 gouttes (en fonction de la capacité de l'appareil) de l'huile recommandée (voir DONNEES TECHNIQUES) via l'entrée d'air de l'appareil ou via un graisseur fixé directement sur l'appareil.

## PANNES, REMEDES ET ENTRETIEN

1. Si un enrayage se produit, couper l'arrivée d'air. **(Figure 3)**
2. Enfoncer le loquet et ouvrir le rail en le glissant. **(Figure 8)** Enlever les projectiles.
3. Ou alors : Démontez les deux vis de fixation de la plaque de front et sortez la plaque de son logement. **(Figure 9)** Enlever le projectile bloqué puis remonter la plaque de front. **(Figure 10)** Repousser le rail jusqu'à encliquetage.

## ENTRETIEN:

1. L'outil étant déconnecté de l'arrivée d'air comprimé, effectuer une inspection journalière pour vous assurer du libre mouvement du dispositif de sécurité et de la gâchette.
2. Toutes les vis doivent être maintenues serrées à fond. **(Figure 2)**

## SYSTÈME D'AIR COMPRIMÉ

1. Pour un fonctionnement correct des machines à enfoncer les fixations, il est nécessaire d'avoir un air comprimé sec, filtré, et lubrifié, en quantité adéquate. **(Figure 11)**

- Les vis desserrées entraînent un manque de sécurité du fonctionnement et la rupture des pièces. Lubrifier régulièrement légèrement l'outil en introduisant 2 à 3 gouttes d'huile par l'orifice d'entrée d'air comprimé.
- Utiliser uniquement les huiles recommandées dans les spécifications techniques. Garder l'appareil propre. Nettoyer le régulièrement à l'aide d'un chiffon. Lubrifier de temps en temps les parties coulissantes du magasin pour éviter une usure prématurée et un fonctionnement optimal.
  - Ne pas utiliser de solvants, de tels produits peuvent endommager les joints et autres pièces sensibles. Utiliser de l'air propre et sec. Utiliser de préférence une unité de traitement d'air comprimé en amont du raccordement de l'outil. Les entretiens et réparations autres que celles décrites ici doivent être réalisées par du personnel qualifié ayant reçu la formation appropriée ou par le service après-vente du fournisseur.

## LISTE DES PIÈCES DÉTACHÉES

Suivez les réglementations locales lors de la mise au rebut de l'outil.

### PMP171 Liste des pièces détachées (Figure 12)

Indice	Art. No	Description
A	5001346	Kit joints, ensemble piston, cylindre et percuteur
B	5001347	Kit sécurité et gâchette
C	5001348	Ensemble chargeur

## PNEUMATISCHE NAGELMACHINE PMP171

### Bedieningsvoorschriften - vertaling van het origineel

NL

#### TECHNISCHE SPECIFICATIES

Afmetingen gereedschap	Hoogte	190 mm
	Lengte	230 mm
	Breedte	48 mm
	Gewicht zonder nagels	0,95 kg
	Gewicht met zwaarste nagels	0,96 kg
Luchtinlaat	1/4"	
Maximaal toegestane werkdruk	8 bar	
Werkdruk	Minimaal	5 bar
	Maximaal	7 bar
Pneumatische bediening	Contactbediening	
Aanbevolen nietjes	Rapid 23P: 15 -> 35 mm	
Afmetingen nagels	Ø0,64mm - 23Ga	
Laadcapaciteit	150	
Aanbevolen pneumatische olie	Hydraulische olie ISO 46 of gelijkwaardig	
Geluidsinformatie (EN 12549:1999)	LpA, 1s, d	70,9 dB
	onzekerheid	2,5 dB
	LwA, 1s, d	83,9 dB
	onzekerheid	2,5 dB
	LpC, peak	109 dB
onzekerheid	2,5 dB	

Deze waarden zijn gereedschapgerelateerde karakteristieke waarden en geven niet het geproduceerde geluid op het moment van daadwerkelijk gebruiken van het apparaat weer. Het geproduceerde geluid tijdens het werken met het apparaat hangt bijvoorbeeld ook af van de werkomgeving, het stuk waaraan gewerkt wordt, hoe dat stuk ondersteund wordt, het aantal nagels dat

ingeslagen wordt enz. De vormgeving van de werkplek kan ook helpen het geluidsniveau te verlagen, bijvoorbeeld het plaatsen van het werkstuk op een geluiddempende ondergrond.

Trillingsinformatie (ISO 8662-11:1999)	Trilling	2,24 m/s <sup>2</sup>
	onzekerheid	0,332 m/s <sup>2</sup>

Deze waarde is een gereedschapgerelateerde karakteristieke waarde en geeft niet de invloed op het hand-arm-systeem op het moment van daadwerkelijk gebruiken van het apparaat weer. De invloed op het hand-arm-systeem bij het gebruiken van dit apparaat hangt bijvoorbeeld ook af van de kracht waarmee men het apparaat beet houdt, van de kracht waarmee het apparaat tegen het werkoppervlak gedrukt wordt, de richting waarin gespijkerd wordt, de afstelling van de luchttoevoer, het stuk waaraan gewerkt wordt, hoe dat ondersteund is enz.

#### SYMBOLLEN

De volgende symbolen worden gebruikt voor het gereedschap. Zorg ervoor dat u de betekenis ervan kent voordat u het gereedschap gaat gebruiken.



Lees en begrijp waarschuwingen en de handleiding. Het niet opvolgen van waarschuwingen kan ernstig letsel tot gevolg hebben.



Gebruikers en anderen in het werkgebied dienen slagvaste oogbescherming met zijkleppen te dragen.



Gebruikers en anderen in het werkgebied dienen gehoorbescherming te dragen.



Het gereedschap heeft de mogelijkheid om herhaaldelijk te schieten



Gebruik het gereedschap niet wanneer u op een weegschaal, trappen of steigers, ladders of ladderachtige constructies staat, b.v. daklatten, bij het sluiten van dozen of kratten, bij het monteren van transportbeveiligingssystemen, b.v. op voertuigen en wagons.



Gebruik nooit zuurstof, koolstofdioxide of een ander gecomprimeerd gas als energiebron voor dit gereedschap.

## ALGEMENE VEILIGHEIDSWAARSCHUWINGEN

1. **Lees deze handleiding voor gebruik van het gereedschap voor persoonlijke veiligheid en een juiste werking en onderhoud van het gereedschap.**
2. Bewaar alle waarschuwingen en instructies voor toekomstige referentie.
3. Het gereedschap is alleen bedoeld voor professioneel gebruik. Gebruik het niet voor andere doeleinden. Het is niet ontworpen om bevestigingsmiddelen rechtstreeks op een hard oppervlak zoals staal en beton te schieten.
4. De gebruiker moet de specifieke risico's beoordelen die aan elk gebruik zijn verbonden.
5. Al het overige gebruik buiten het beoogde gebruik van dit gereedschap is verboden. Gereedschappen die bevestigingsmiddelen aanbrengen door middel van continu herhaaldelijk schieten of herhaaldelijk schieten mogen uitsluitend worden gebruikt in productietoepassingen.
6. Houd uw vingers uit de buurt van de trekker wanneer u het gereedschap niet gebruikt en wanneer u het verplaatst van de ene werkplek naar de andere.
7. Meerdere gevaren. U moet de veiligheidsinstructies lezen en begrijpen voordat u het gereedschap aansluit, loskoppelt, laadt, bedient, onderhoudt, van accessoires voorziet of in de buurt ervan werkt. Als u dit niet doet, kan dat leiden tot ernstig lichamelijk letsel.
8. Houd alle lichaamsdelen, zoals handen, benen, etc., uit de schietrichting en verzeker u ervan dat het bevestigingsmiddel niet door het werkstuk heen in een lichaamsdeel kan schieten.
9. Wees bij gebruik van het gereedschap erop bedacht dat het bevestigingsmiddel kan afketsen en letsel kan veroorzaken.
10. Houd het gereedschap stevig vast en wees voorbereid om de terugslag op te vangen.
11. Alleen vakbekwame gebruikers mogen het bevestigingsgereedschap bedienen.
12. Wijzig het bevestigingsgereedschap niet. Wijzigingen kunnen de effectiviteit van de



- veiligheidsvoorzieningen verlagen en de risico's voor de gebruiker en/of omstanders vergroten.
13. Gooi de gebruiksaanwijzing niet weg.
  14. Gebruik het gereedschap niet als het gereedschap beschadigd is.
  15. Wees voorzichtig bij het hanteren van de bevestigingsmiddelen, met name bij het laden en verwijderen, omdat de bevestigingsmiddelen scherpe punten hebben die letsel kunnen veroorzaken.
  16. Controleer het gereedschap altijd vóór gebruik op kapotte, verkeerd aangesloten of versleten onderdelen.
  17. Reik niet te ver. Gebruik uitsluitend op een veilige werkplek. Zorg altijd dat u stevig staat en voor een goede lichaamsbalans.
  18. Houd omstanders uit de buurt (bij het werken op een plaats waar waarschijnlijk mensen voorbij komen). Zet uw werkgebied duidelijk af.
  19. Richt het gereedschap nooit op uzelf of anderen.
  20. Plaats uw vinger nooit om de trekker wanneer u het gereedschap oppakt, wanneer u naar een andere werkplek of -positie gaat, en wanneer u met het gereedschap loopt omdat de vinger om de trekker tot onbedoelde bediening van het gereedschap kan leiden. Voor gereedschappen waarop de bedieningsfunctie kan worden gekozen, controleert u altijd het gereedschap vóór gebruik om er zeker van te zijn dat de correcte bedieningsfunctie is gekozen.
  21. Draag uitsluitend handschoenen die voldoende gevoel en een veilige bediening van de trekker en alle afstel mogelijkheden bieden.
  22. Als u het gereedschap neerlegt, legt u het neer op een vlakke ondergrond. Als u de haak van het gereedschap gebruikt, hangt u het gereedschap veilig op een stabiel oppervlak op.
  23. Bedien het gereedschap niet onder invloed van alcohol, drugs en dergelijke.
  24. Gebruik het gereedschap niet wanneer u op een weegschaal, trappen of steigers, ladders of ladderachtige constructies staat, b.v. daklatten, bij het sluiten van dozen of kratten, bij het monteren van transportbeveiligingssystemen, b.v. op voertuigen en wagons.



## Gevaren door projectielen

1. Het gereedschap dient te worden losgekoppeld wanneer bevestigingsmiddelen worden verwijderd, afstellingen worden gedaan, vastgelopen bevestigingsmiddelen worden verwijderd en accessoires worden verwisseld.
2. Let er tijdens gebruik op dat de bevestigingsmiddelen het materiaal correct penetreren en niet kunnen afketsen of per ongeluk in de richting van de gebruiker en/of omstanders worden geschoten.
3. Tijdens gebruik kan afval vanaf het werkstuk en het bevestigings-/verzamelsysteem worden weggevoerd.
4. Draag tijdens het gebruik van gereedschap altijd een veiligheidsbril om uw ogen te beschermen tegen letsel. De bril moet voldoen aan ANSI Z87.1 in de Verenigde



Staten, aan EN 166 in Europa, en aan AS/ NZS 1336 in Australië en Nieuw-Zeeland. In Australië en Nieuw-Zeeland is het wettelijk verplicht om tevens een spatscherm te dragen om uw gezicht te beschermen. Het is de verantwoordelijkheid van de werkgever om ervoor te zorgen dat geschikte beschermingsmiddelen gebruikt worden door de gebruikers van het gereedschap en anderen in de onmiddellijke omgeving van de werkplek.

5. De risico's voor anderen moeten worden beoordeeld door de gebruiker.
6. Wees voorzichtig met gereedschap zonder contact met het werkkoppervlak omdat deze onbedoeld kunnen worden afgeschoten en letsel kunnen veroorzaken bij de gebruiker en/of omstanders.
7. Zorg er altijd voor dat het gereedschap veilig op het werkstuk is geplaatst en niet kan wegglijden.
8. Draag gehoorbescherming om uw oren te beschermen tegen het uitlaatgeluid en draag hoofdbescherming. Draag tevens lichte maar geen losse kleding. Manchetten moeten dichtgeknoopt zijn of de mouwen moeten worden opgerold. Draag geen stropdas.



### **Gevaren bij gebruik**

1. Houd het gereedschap correct vast: wees voorbereid om normale of plotselinge bewegingen, zoals terugslag, op te vangen.
2. Zorg voor een goede lichaamsbalans en stevige stand.
3. Een geschikte veiligheidsbril moet worden gebruikt en geschikte handschoenen en beschermende kleding worden aanbevolen.
4. Geschikte gehoorbescherming dient te worden gedragen.
5. Gebruik de correcte voeding, zoals beschreven in de gebruiksaanwijzing.
6. Gebruik het gereedschap niet op bewegende platformen of in de laadruimte van vrachtwagens. Door een plotselinge beweging van het platform kunt u de controle over het gereedschap verliezen en kan letsel worden veroorzaakt.
7. Ga er altijd vanuit dat in het gereedschap bevestigingsmiddelen zitten.
8. Werk niet gehaast en forceer het gereedschap niet. Hanteer het gereedschap voorzichtig.
9. Zorg ervoor dat u tijdens het gebruik van het gereedschap stevig staat en uw evenwicht goed bewaart. Controleer dat er niemand onder u staat wanneer u op een hoge plaats werkt, en maak de luchtslang vast om gevaarlijke situaties te voorkomen als er plotseling aan wordt getrokken of deze bekneld raakt.
10. Op daken en andere hoge plaatsen werkt dient u voorwaarts bewegen. U glijdt gemakkelijk weg als u werkt en achterwaarts beweegt. Als u werkt op een rechtopstaande werkkoppervlak, werk dan van boven naar beneden. U kunt op deze manier werken zonder snel vermoeid te raken.
11. Een bevestigingsmiddel kan krom trekken of het gereedschap kan vastlopen als u per ongeluk bovenop een ander bevestigingsmiddel of in een knoest in het hout schiet. Het bevestigingsmiddel kan wegschieten en iemand raken, of het

gereedschap zelf kan gevaarlijk terugslaan. Kies de plaats voor het bevestigingsmiddel met zorg.

12. Laat het geladen gereedschap of de luchtcompressor onder druk, niet gedurende een lange tijd in de zon liggen. Zorg ervoor dat stof, zand, houtsnippers en vreemde stoffen niet kunnen binnendringen in het gereedschap op de plaats waar u het laat liggen.
13. Probeer nooit tegelijkertijd van binnenuit en van buitenaf bevestigingsmiddelen erin te schieten. De bevestigingsmiddelen kunnen er dwars doorheen schieten of afketsen en een groot gevaar opleveren.

### **Gevaren door herhalende bedieningen**

1. Wanneer een gereedschap gedurende een lange tijd wordt gebruikt, kan de gebruiker een oncomfortabel gevoel ervaren in de handen, armen, schouders, nek of andere lichaamsdelen.
2. Bij gebruik van een gereedschap moet de gebruiker een geschikte en ergonomische houding aannemen. Zorg ervoor dat u stevig staat en vermijd lastige en ongebalanceerde houdingen.
3. Als de gebruiker symptomen ervaart, zoals aanhoudende of terugkerende ongemakken, pijn, kloppingen, tintelen, gevoelloosheid, brandend gevoel of stijfheid, mag u deze tekenen niet negeren. De gebruiker dient een vakbekwame zorgmedewerker te raadplegen aangaande zijn algemene activiteiten.
4. Het ononderbroken gebruik van het gereedschap kan leiden tot RSI (Repetitive Strain Injury) als gevolg van de terugslag van het gereedschap.
5. Om RSI (Repetitive Strain Injury) te voorkomen, mag de gebruiker niet te ver reiken of buitensporige kracht uitoefenen. Bovendien moet de gebruiker rusten wanneer hij/zij zich moe voelt.
6. Voer een risicobeoordeling uit met betrekking tot het gevaar van zich herhalende bewegingen. Deze moet zich richten op skelet-spieraandoeningen en dient bij voorkeur te zijn gebaseerd op de aanname dat een afname van de vermoeidheid tijdens het werken effectief is in het verminderen van de aandoeningen.

### **Gevaren door accessoires en verbruiksartikelen**

1. Koppel de voeding, zoals perslucht, gas of accu al naar gelang van toepassing, naar het gereedschap los alvorens accessoires zoals het rubber mondstuk te verwisselen/vervangen, of het gereedschap af te stellen.
2. Gebruik uitsluitend de grootte en het type accessoires die door de fabrikant worden geleverd.
3. Gebruik uitsluitend smeermiddelen aanbevolen in deze handleiding.

### **Gevaren door de werkplek**

1. Uitglijden, struikelen en vallen zijn de hoofdoorzaken van letsel op de werkplek. Wees bedacht op gladde oppervlakken veroorzaakt door het gebruik van het gereedschap en tevens op struikelgevaar veroorzaakt door de persluchtslang.
2. Wees extra voorzichtig in een onbekende omgeving. Er kunnen verborgen gevaren zijn, zoals elektriciteits- of andere nutsleidingen.
3. Dit gereedschap is niet voor gebruik in omgevingen met explosiegevaar en is niet geïsoleerd tegen

- aanraking van stroomvoerende kabels.
- Verzekeer u ervan dat er geen elektriciteitskabels, gasleidingen, enz. zijn die een gevaarlijke situatie zouden kunnen veroorzaken als ze worden beschadigd door het gebruik van dit gereedschap.
  - Houd uw werkplek schoon en zorg voor goede verlichting. Op een rommelige of donkere werkplek gebeuren vaker ongevallen.
  - Er kunnen plaatselijk regels gelden met betrekking tot geluid, waaraan u zich dient te houden door de geluidsproductie onder het voorgeschreven niveau te houden. In bepaalde gevallen moeten geluidsschermen worden gebruikt om het geluidsniveau te beperken.

#### **Gevaren door stof en uitlaatlucht**

- Controleer altijd de omgeving. De lucht die het gereedschap uitstoot, kan stof of voorwerpen wegblazen die de gebruiker en/of omstanders kunnen raken.
- Richt de uitlaat zodanig dat in een zeer stoffige omgeving het opwerpen van stof minimaal is.
- Als stof of voorwerpen worden uitgestoten in de werkomgeving, vermindert u de uitstoot zo veel mogelijk om de gezondheidsrisico's en kans op letsel te verkleinen.

#### **Gevaren door geluid**

- Onbeschermde blootstelling aan hoge geluidsniveaus kan leiden tot permanente en onherstelbare gehoorschade en andere problemen zoals tinnitus (sis-, fluit-, brom- of pieptonen in het oor).
- Voer een risicobeoordeling uit met betrekking tot gevaren door geluid op de werkplek en tref geschikte beheersmaatregelen voor deze gevaren.
- Geschikte methoden om het risico te verkleinen zijn onder andere het gebruik van dempingsmaterialen die voorkomen dat werkstukken 'meezingen'.
- Gebruik geschikte gehoorbescherming.
- Bedien en onderhoud het gereedschap zoals aanbevolen in deze instructies om een onnodige toename van het geluidsniveau te voorkomen.
- Tref geluidsverminderende maatregelen, bijvoorbeeld door het werkstuk op geluiddempende ondersteuning te plaatsen

#### **Gevaren door trillingen**

- De trillingsemisatie tijdens gebruik is afhankelijk van de grijpkracht, de contactdruk, de werkrichting, de afstelling van de voeding, het werkstuk en de ondersteuning van het werkstuk. Voer een risicobeoordeling uit met betrekking tot gevaren door trillingen en tref geschikte beheersmaatregelen voor deze gevaren.
- Blootstelling aan trillingen kan onherstelbare schade aanrichten aan de zenuwen en bloedvaten van de handen en armen.
- Draag warme kleding tijdens het werken onder koude omstandigheden, en houd uw handen warm en droog.
- U kunt gevoelloosheid, tintelen, pijn of verdroging van de huid van uw vingers of handen ervaren. Vraag een vakbekwame bedrijfsarts om medisch advies aangaande uw algemene activiteiten.
- Bedien en onderhoud het gereedschap zoals

- aanbevolen in deze instructies om een onnodige toename van de trillingsniveaus te voorkomen.
- Houd het gereedschap vast met een lichte, maar veilige greep omdat het risico door trillingen doorgaans groter is wanneer de grijpkracht hoger is.

#### **Aanvullende waarschuwingen voor pneumatische gereedschappen**

- Perslucht kan ernstig letsel veroorzaken.
- Sluit altijd de luchttoevoer af en koppel het gereedschap los van de luchttoevoer wanneer u het niet gebruikt.
- Koppel het gereedschap altijd los van de persluchttoevoer voordat u accessoires verwisselt, afstellingen en/of reparaties uitvoert, en het gereedschap verplaatst van de ene werkplek naar de andere.
- Houd uw vingers uit de buurt van de trekker wanneer u het gereedschap niet gebruikt en wanneer u het verplaatst van de ene werkplek naar de andere.
- Richt de perslucht nooit op uzelf of iemand anders.
- Een zwiepende slang kan ernstig letsel veroorzaken. Controleer altijd op beschadigde of losse slangen of koppelingen.
- Draag pneumatisch gereedschap nooit aan de slang.
- Sleep pneumatisch gereedschap nooit aan de slang.
- Bij gebruik van pneumatische gereedschappen mag u nooit de maximumwerkdruk (ps max) overschrijden.
- Pneumatische gereedschappen mogen uitsluitend worden gevoed door perslucht van de laagste druk die vereist is voor de werkwijze om het geluidsniveau en trillingsniveau te verlagen en de slijtage te minimaliseren.
- Als zuurstof of brandbaar gas wordt gebruikt om pneumatische gereedschappen te bedienen, ontstaat brand- en explosiegevaar.
- Wees voorzichtig bij het gebruik van pneumatische gereedschappen aangezien het gereedschap koud kan worden waardoor de grip en controle kunnen afnemen.



#### **Aanvullende waarschuwingen voor gereedschappen met de mogelijkheid van herhaaldelijk schieten**

- Plaats uw vinger nooit om de trekker wanneer u het gereedschap oppakt, wanneer u naar een andere werkplek of -positie gaat, en wanneer u met het gereedschap loopt omdat de vinger om de trekker tot onbedoelde bediening van het gereedschap kan leiden.
- Indien bij dit gereedschap geschakeld kan worden tussen selectieve of continue contactbediening of over continue contactbediening beschikt en voorzien is van het hiernaast vermelde symbool, is de beoogde toepassing voor productie van pallets, meubels, prefab houtskeletbouw, stoffering en bekleding.
- Gebruik dit gereedschap niet bij contactbediening voor toepassingen zoals het sluiten van





- dozen of kratten en het aanbrengen van transportbeveiligingssystemen op aanhangwagens en vrachtwagens.
4. Waarschuwing! Het gereedschap dient alleen op veilige werkplekken te worden gebruikt.
  5. Wees voorzichtig bij het veranderen van werkplek.

### LADEN

1. Neem het gereedschap los van de luchttoevoer. **(Figure 3)**
2. Koppel het magazijn los door de klikhendel samen te drukken. **(Figure 4)**
3. Laden van brads: Houd het nietpistool omlaag en laad een een strip nieten in de cassette, met de punten omlaag gericht. **(Figure 5)** Druk op de rail totdat deze op zijn plek klikt. **(Figure 6)**
4. Gebruik uitsluitend de aanbevolen nagels (zie de technische specificaties).
5. Het gereedschap en de bevestigingsmiddelen die in de bedieningshandleiding worden vermeld, moeten worden beschouwd als één veiligheidssysteem.

### GEBRUIK VAN HET GEREEDSCHAP

1. Houd het gereedschap van uzelf en anderen af en sluit het aan op de luchttoevoer. **(Figure 1)**
2. Gebruik gereedschap bij de voor de betreffende toepassing laagst mogelijke druk. Dat zorgt voor een lager geluidsniveau, minder slijtage en een lager energieverbruik.
3. Druk de neus van het gereedschap op het vast te zetten werkstuk en haal de trekker over om nieten af te schieten. **(Figure 7)**  
Stel de voor het binnendringen van de nagels benodigde minimumdruk af. Voer vervolgens een aantal startesten uit met de laagste druk.
4. Controleer of het bevestigingsmiddel in het werkstuk is gedreven in overeenstemming met de vereisten.
  - als het bevestigingsmiddel uitsteekt, verhoogt u de luchtdruk in stappen van 0,5 bar en controleert u het resultaat na elke nieuwe aanpassing;
  - als het bevestigingsmiddel te diep zit, verlaagt u de luchtdruk in stappen van 0,5 bar tot het resultaat bevredigend is.
5. U moet in elk geval proberen met de laagst mogelijke luchtdruk te werken.
6. Houd het gereedschap tijdens het werk zodanig vast dat er geen verwondingen aan het hoofd of aan het lichaam kunnen worden veroorzaakt in geval van een mogelijke terugslag als gevolg van een onderbreking van de energietoevoer of harde stukken in het werkoppervlak.
7. Het gereedschap moet worden losgekoppeld van het persluchtstelsel voor transportdoeleinden, vooral wanneer ladders worden gebruikt of wanneer een ongewone fysieke houding wordt aangenomen tijdens het verplaatsen.
8. Draag het bevestigingsgereedschap op de werkplek alleen aan het handvat en nooit met de trekker in werking.
9. Houd rekening met de omstandigheden op de werkplek. Bevestigingsmiddelen kunnen dunne werkoppervlakken binnendringen of van hoeken en

- randen afglijden en zo mensen in gevaar brengen.
10. Gebruik voor persoonlijke veiligheid beschermende uitrusting zoals gehoor- en oogbescherming.
  11. De trekker en het veiligheidscontact moeten voor elke bediening worden ontgrendeld, zonder de volgorde van bediening. Voor herhaalde schieten is het voldoende als de trekker geactiveerd blijft en het veiligheidscontact daarna wordt geactiveerd, of vice versa.
  12. Gebruik het gereedschap niet als het magazijn leeg is.
  13. Elk defect of niet goed functionerend gereedschap moet onmiddellijk worden losgekoppeld van de persluchttoevoer en ter inspectie naar een specialist worden gebracht.
  14. In geval van langere pauzes tijdens het werk of aan het einde van de werkzaamheden, koppelt u het gereedschap los van de persluchttoevoer en wordt aanbevolen het magazijn te legen.
  15. De persluchtaansluitingen van het gereedschap en de slangen moeten worden beschermd tegen verontreiniging. Het binnendringen van grof stof, spanen, zand etc. zal leiden tot lekkages en schade aan het gereedschap en de koppelingen.

### PERSLUCHTSYSTEEM

1. Voor een goede werking van het gereedschap is gefilterde, droge <en gesmeerde> perslucht benodigd in voldoende hoeveelheden. **(Figure 11)**
2. Als de luchtdruk in het leidingsysteem de maximaal toelaatbare druk van het gereedschap overschrijdt, dient een drukreducerendventiel gevolgd door een stroomafwaartse veiligheidsklep in de toevoerleiding naar het gereedschap worden aangebracht.
3. Sluit het gereedschap aan op de persluchttoevoer met behulp van een geschikte drukslang uitgerust met snelkoppelingen. **(Figure 1)**
4. De compressor dient voldoende capaciteit te hebben op het gebied van druk en prestaties (debied) voor het te verwachten verbruik. Leidingsecties die te klein zijn in verhouding tot de lengte van de leiding (leidingen en slangen), evenals overbelasting van de compressor, zullen resulteren in drukverlies.
5. Permanent aangelegde persluchtleidingen moeten een binnendiameter van ten minste 19 mm en een overeenkomstige grote diameter hebben bij relatief lange pijpleidingen of meerdere gebruikers.
6. Persluchtleidingen moeten zo worden gelegd dat ze een helling vormen (hoogste punt in de richting van de compressor). Gemakkelijk toegankelijke waterafschers moeten op de laagste punten worden geïnstalleerd.
7. Verbindingen voor gebruikers moeten van bovenaf met de pijpleidingen worden verbonden.
8. Verbindingspunten voor bevestigingsgereedschap moeten direct op het verbindingpunt worden voorzien van een perslucht-onderhouden (filter / waterscheider / olie-inrichting).
9. Olie moet dagelijks worden gecontroleerd en indien nodig worden bijgevuld met de aanbevolen kwaliteit olie (zie TECHNISCHE GEGEVENS). Bij gebruik van slangen met een lengte van meer dan 10 m kan de olietoevoer voor het gereedschap niet worden gegarandeerd. We raden daarom aan om 2 tot 5 druppels (afhankelijk van de belasting van het gereedschap) van de aanbevolen olie (zie

TECHNISCHE GEGEVENS) toe te voegen via de luchtinlaat van het gereedschap, of een oliebus die rechtstreeks op het gereedschap is bevestigd.

### PROBLEMEN OPLOSSEN EN ONDERHOUD

1. Als een niet blijft vastzitten, moet u het gereedschap losnemen van de luchttoevoer. **(Figure 3)**
2. Koppel het magazijn los en schuif de rail terug. **(Figure 8)** Verwijder de vastzittende nagels.
3. Draai de twee schroeven van het voorpaneel los en neem deze weg. **(Figure 9)** Verwijder het vastgelopen projectiel. **(Figure 10)** Plaats het voorpaneel terug en draai de schroeven vast.

### ONDERHOUD:

1. Voer een dagelijkse inspectie uit om na te gaan of de veiligheidsbeugel en trekker vrij kunnen bewegen. Het gereedschap moet daarbij zijn losgekoppeld van de luchttoevoer.
2. Alle schroeven moeten goed zijn aangehaald. **(Figure 2)**  
Loszittende schroeven resulteren in een onveilige werking en het breken van onderdelen. Spuit zachtjes 2 of 3 druppels olie in de luchtinlaat.
3. Gebruik alleen de aanbevolen olie zoals vermeld in de technische specificaties. Houd het gereedschap

schoon. Neem het regelmatig af met een droge doek en inspecteer het op slijtage. Smeer van tijd tot tijd de schuifdelen van het magazijn om slijtage te voorkomen.

4. Gebruik geen ontvlambare reinigungsoplossingen. Niet weken en geen oplosmiddel gebruiken. Dergelijke middelen kunnen O-ringen en andere gevoelige delen van het gereedschap beschadigen. Gebruik schone, droge lucht. Gebruik bij voorkeur een persluchtunit stroomopwaarts ten opzichte van de aansluiting van het gereedschap. Hier niet beschreven reparaties mogen uitsluitend worden uitgevoerd door getraind, gekwalificeerd personeel of via de de aftersaleservice van de fabrikant.

### LIJST VAN RESERVEONDERDELEN

Volg de lokale voorschriften bij het weggooiën van het gereedschap.

#### PMP171 Lijst van reserveonderdelen (Figure 12)

Index	Art. Nr.	Omschrijving
A	5001346	Hoofdklep, cilinder en zuigerset
B	5001347	Veiligheids- en trekkerzet
C	5001348	Magazijn set

## CHIODATRICE PNEUMATICA PMP171

Istruzioni per l'uso - traduzione dell'originale

IT

### DATI TECNICI

Dimensioni dell'utensile	Altezza	190 mm
	Lunghezza	230 mm
	Larghezza	48 mm
	Peso senza chiodi	0,95 kg
	Peso con i chiodi più pesanti	0,96 kg
Ingresso dell'aria		1/4"
Pressione di esercizio max consentita		8 bar
Pressione di esercizio	Min	5 bar
	Max	7 bar
Selettore del modo di sparo	Azionamento a contatto	
Fermi raccomandati	Rapid 23P: 15 -> 35 mm	
Dimensioni del chiodo	Ø0.64mm - 23Ga	
Capacità di ricarica	150	
Olio pneumatico raccomandato	Olio idraulico ISO 46 o equivalente	
Informazioni acustiche (EN 12549:1999)	LpA, 1s, d	70,9 dB
	incertezza	2,5 dB
	LwA, 1s, d	83,9 dB
	incertezza	2,5 dB
	LpC, peak	109 dB
incertezza	2,5 dB	

Questi valori si riferiscono all'utensile e non sono rappresentativi della rumorosità in applicazioni specifiche. La rumorosità nelle applicazioni specifiche dipende, ad esempio, da ambiente di lavoro, pezzo di lavoro e relativo supporto e numero di operazioni. Anche il design della postazione di lavoro può contribuire a ridurre i livelli acustici, ad esempio sistemando il pezzo su supporti insonorizzanti.

Informazioni sulle vibrazioni (ISO 8662-11:1999)	Vibrazioni	2,24 m/s <sup>2</sup>
		incertezza

Questo valore si riferisce all'utensile e non è rappresentativo dell'influenza sul sistema mani-braccia durante l'uso dell'utensile. Quest'ultima dipende, ad esempio, da forza di presa, forza della pressione di contatto, direzione di lavoro, regolazione della potenza, pezzo di lavoro e relativo supporto.

### SIMBOLI

Di seguito sono riportati i simboli utilizzati per l'apparecchio. Accertarsi di comprenderne il significato prima dell'uso.



Leggere con attenzione le etichette e il manuale di utilizzo. La mancata osservanza delle avvertenze può provocare gravi lesioni.



L'operatore e chi staziona nell'area di lavoro deve indossare protezioni per gli occhi resistenti agli urti e con protezioni laterali.



L'operatore e chi staziona nell'area di lavoro deve indossare protezioni acustiche.



Questo attrezzo può funzionare in modalità per contatto





Non utilizzare lo strumento su scale, ponteggi, costruzioni instabili come impalcati di tetti o all'interno di veicoli in movimento ed in ogni posto dove una improvvisa perdita dell'equilibrio possa causare spari involontari e, di conseguenza, infortuni.




Non utilizzare mai bombole di ossigeno, anidride carbonica o altri gas per alimentare l'utensile.

## AVVERTENZE DI SICUREZZA

- 1. Per la sicurezza personale e il corretto funzionamento e manutenzione dello strumento, leggere questo manuale di istruzioni prima di utilizzarlo.** 
2. Conservare tutte le note e le istruzioni per consultazione futura.
3. La graffiatrice deve essere utilizzata solo per scopi cononi ed appropriati. Non utilizzarla per nessun altro scopo. Non è progettata per sparare direttamente su superfici dure come acciaio e cemento.
4. L'utente deve valutare i rischi specifici e potenziali in funzione dell'utilizzo.
5. Qualsiasi utilizzo differente da quello per cui questo è stato concepito, è vietato. Le graffiatrici dotate di dispositivo di sparo per contatto vanno utilizzate solo per applicazioni professionali di produzione.
6. Tenere le dita lontane dal grilletto quando non si utilizza l'attrezzo e quando si intende passare da una posizione di utilizzo ad un'altra.
7. Pericoli possono essere moltissimi. Leggere e comprendere le istruzioni di sicurezza prima di collegare, scollegare, caricare, utilizzare e sottoporre a manutenzione l'utensile, nonché prima di sostituire gli accessori o lavorare in prossimità dell'utensile. La mancata osservanza di questa indicazione potrebbe risultare in gravi lesioni corporee.
8. Tenere tutte le parti del corpo, quali mani, gambe, e così via, lontane dalla direzione di sparo, e assicurare che il punto non possa trapassare il pezzo in lavorazione penetrando in parti del corpo.
9. Quando si utilizza l'utensile, tenere presente che la graffa o il chiodo potrebbero venire deviati e causare lesioni personali.
10. Durante l'utilizzo mantenere l'utensile con presa salda ed essere preparati a gestirne il rinculo.

11. Solo operatori dotati di esperienza dovrebbero utilizzare l'utensile. Non lasciarlo alla portaa di minori o soggetti non affidabili.
12. Non modificare l'utensile in alcun modo. Le modifiche potrebbero ridurre l'efficacia delle misure di sicurezza e incrementare i rischi nei confronti dell'operatore e delle persone circostanti.
13. Non gettare il manuale d'uso.
14. Non utilizzare l'utensile qualora quest'ultimo sia stato danneggiato.
15. Fare attenzione nel maneggiare la graffiatrice, specialmente in fase di acaricamento o svutamento del caricatore per evitare lesioni personali.
16. Prima dell'uso, controllare sempre che l'utensile sia integro in ogni sua parte.
17. Non lavorare in posizioni precarie. Utilizzare solo in luoghi sicuri. Mantenere una posizione corretta e ben bilanciata durante il lavoro.
18. Tenere i presenti dalla zona di lavoro soprattutto quando si lavora in un'area in cui sussiste la probabilità di passaggio di persone. Contrassegnare in modo chiaro l'area di utilizzo.
19. Non puntare mai l'utensile verso se stessi o altri quando è carico e collegato.
20. Non tenere il dito sul grilletto quando si impugna l'utensile per trasportarlo per evitare spari accidentali. Per gli utensili dotati di dispositivo di sparo a contatto, controllare sempre l'utensile prima di utilizzarlo per verificare che la modalità corretta sia selezionata.
21. Indossare solo guanti che forniscano una sensibilità adeguata e un controllo sicuro del grilletto e di qualsiasi dispositivo di regolazione.
22. Quando si intende appoggiare l'utensile, appoggiarlo su una superficie piana e stabile. Se si utilizza il gancio in dotazione all'utensile verificarne la stabilità in modo da evitare cadute.
23. Non utilizzare l'utensile sotto l'effetto di alcool, droghe o simili.
24. Non utilizzare lo strumento su scale, ponteggi, costruzioni instabili come impalcati di tetti o all'interno di veicoli in movimento ed in ogni posto dove una improvvisa perdita dell'equilibrio possa causare spari involontari e, di conseguenza, infortuni 

## Pericoli propulsivi

1. L'utensile va scollegato quando lo si carica o scarica, regola, disinceppa o si sostituiscono gli accessori.
2. Durante il funzionamento, fare attenzione affinché i punti penetrino correttamente nel materiale e non possano venire deviati o sparati per errore verso l'operatore e/o eventuali presenti.
3. Durante il funzionamento, potrebbero venire proiettati detriti oschegge da pezzo in lavorazione.
4. Indossare sempre occhiali protettivi per proteggere gli occhi da possibili lesioni quando si utilizza l'utensile. Gli occhiali protettivi devono essere conformi allo standard ANSI Z87.1 negli Stati Uniti, allo standard EN 166 in Europa o allo standard AS/NZS 1336 in Australia/Nuova Zelanda. In Australia/Nuova Zelanda, è obbligatorio per legge indossare anche una visiera per proteggere il volto. È responsabilità del datore di lavoro far rispettare ai lavoratori e ad eventuali presenti, l'utilizzo delle attrezzature protettive di sicurezza 

appropriate.

5. I rischi verso altre persone devono essere valutati dall'operatore.
6. Fare maggiore attenzione con gli utensili non dotati di sensore di sicurezza sul frontalino in quanto possono sparare accidentalmente anche quando non sono premuti sulla superficie di lavoro e causare lesioni all'operatore e/o ai presenti.
7. Tenere saldamente l'utensile durante l'utilizzo in modo che non possa scivolare accidentalmente.
8. Indossare protezioni per l'udito e per il volto. Inoltre, indossare indumenti comodi ma non troppo ampi. Le maniche vanno abbottonate o arrotolate sul braccio. Non indossare cravatte.



### **Pericoli d'uso**

1. Impugnare saldamente l'utensile durante l'utilizzo ed essere pronti a contrastare i contraccolpi.
2. Mantenere una posizione del corpo bilanciata e una posizione salda sui piedi.
3. È necessario utilizzare occhiali di protezione appropriati, ed è consigliato l'utilizzo di guanti e indumenti protettivi appropriati.
4. È necessario utilizzare protezioni per l'udito appropriate.
5. Utilizzare una fonte di energia corretta, come illustrato nel manuale d'uso.
6. Non utilizzare l'utensile su piattaforme mobili o a bordo di veicoli in movimento. Una improvvisa perdita di equilibrio potrebbe far perdere il controllo dell'utensile e causare lesioni personali.
7. Trattare sempre l'attrezzo considerando che possa essere carico.
8. Non affrettare il lavoro né forzare l'utensile. Maneggiare l'utensile con attenzione.
9. Fare attenzione ad avere una posizione sicura e stabile quando si usa l'utensile. Accertarsi che non sia presente alcuna persona sotto di sé quando si lavora in zone elevate, e fare attenzione al tubo dell'aria per evitare strappi o inciampi.
10. Soprattutto quando si lavora su in posizioni elevate o che potrebbero essere instabili non sparare quando si è in movimento. Lavorando su una superficie verticale si consiglia di procedere dall'alto verso il basso.
11. Se per errore capitasse di sparare un punto sopra l'altro o su una superficie troppo dura, il punto potrebbe deformarsi e l'utensile si potrebbe inceppare. Il punto, o una sua parte potrebbe anche essere proiettata e coprire qualcuno. Posizionare le graffe con cura.
12. Non lasciare l'utensile carico o il compressore d'aria sotto pressione per un periodo di tempo prolungato all'aperto al sole. Accertarsi che polvere, sabbia, schegge e materiale estraneo non penetrino nell'utensile nell'ubicazione in cui lo si lascia a riposo.
13. Non tentare mai di sparare punti sia dall'interno che dall'esterno allo stesso tempo. Il materiale si potrebbe distruggere e proiettare schegge in manier pericolosa.

### **Pericoli dovuti ai movimenti ripetuti**

1. Quando si utilizza l'utensile per periodi di tempo troppo prolungati, l'operatore potrebbe provare affaticamento alle mani, alle braccia, alle spalle, al collo o in altre parti del corpo. Si raccomanda di riposare

per evitare rischiare in infortuni.

2. Quando si utilizza l'utensile, l'operatore dovrebbe adottare una postura idonea ma ergonomica. Mantenere un equilibrio saldo sui piedi ed evitare posture innaturali o sbilanciate.
3. Qualora l'operatore provi sintomi quali disagi persistenti o ricorrenti, dolori, palpitazioni, dolenzia, formicolii, intorpidimenti, sensazioni di bruciore o rigidità, si raccomanda di non ignorare questi sintomi ma consultare il proprio medico relativamente alle attività svolta nel suo complesso.
4. L'uso continuo ed intensivo dell'utensile potrebbe causare problemi dovuto alla tensione ed al contraccolpo prodotto dall'utensile.
5. Per evitare problemi da stress fisico l'operatore non dovrebbe sforzarsi eccessivamente durante l'utilizzo dell'attrezzo e alternare pause di riposo.
6. Considerare i rischi relativi ai pericoli riguardanti i movimenti ripetitivi. Tale valutazione dovrebbe concentrarsi sui disturbi muscolo-scheletrici ed essere basata preferibilmente sul presupposto che una riduzione dell'affaticamento durante il lavoro sia efficace nel ridurre i disturbi.

### **Pericoli relativi agli accessori e ai materiali di consumo**

1. Prima di cambiare o sostituire accessori, quali l'elemento di contatto con il pezzo in lavorazione, o di effettuare qualsiasi regolazione, scollegare la fonte di energia dell'utensile, ad esempio aria, gas o batterie, a seconda dei casi.
2. Utilizzare esclusivamente le dimensioni e i tipi di accessori forniti dal produttore.
3. Utilizzare esclusivamente i lubrificanti consigliati nel presente manuale.

### **Pericoli relativi al posto di lavoro**

1. Scivolamenti, passi falsi e cadute sono cause principali di lesioni personali sul posto di lavoro. Fare attenzione alle superfici scivolose causate dall'utilizzo dell'utensile e anche ai pericoli di inciampare causati dal tubo pneumatico.
2. Muoversi con particolare attenzione in ambienti non familiari. Potrebbero essere presenti pericoli nascosti, ad esempio linee elettriche o altre linee di servizio.
3. Questo utensile non è destinato all'uso in presenza di miscele gassose potenzialmente esplosive, e non presenta un grado di isolamento adeguato al contatto con l'energia elettrica.
4. Accertarsi che non siano presenti cavi elettrici, tubi del gas, e così via, che potrebbero causare un pericolo qualora vengano danneggiati dall'utilizzo dell'utensile.
5. Mantenere l'area di lavoro pulita e ben illuminata. Aree di lavoro ingombre o buie favoriscono gli incidenti.
6. Potrebbero sussistere normative locali da rispettare relativamente al rumore. Mantenere i livelli di rumore entro i limiti prescritti. In certi casi, vanno utilizzate delle serrande per contenere il rumore.

### **Pericoli relativi alle polveri e allo scarico**

1. Controllare sempre l'ambiente circostante. L'aria scaricata dall'utensile potrebbe soffiare polveri oppure oggetti e colpire l'operatore e/o persone vicine.
2. Indirizzare lo scarico dell'aria in modo da ridurre al minimo i turbini di polveri in ambienti polverosi.
3. Qualora nell'area di lavoro vengano emesse polveri

oppure oggetti, ridurre al minimo tali emissioni per quanto possibile, per ridurre i pericoli relativi alla salute e il rischio di infortuni.

### Pericoli relativi al rumore

1. L'esposizione non protetta a livelli elevati di rumore può causare perdite di udito permanenti e invalidanti, nonché altri problemi quali il tinnito (tintinnii, ronzii, o fischi nelle orecchie).
2. Eseguire una valutazione dei rischi relativa ai pericoli riguardanti i rumori nell'area di lavoro e implementare controlli appropriati relativi a tali pericoli.
3. Controlli appropriati per ridurre il rischio potrebbero includere azioni quali l'uso di materiali fonoassorbenti per evitare che le lavorazioni producano suoni squillanti.
4. Utilizzare protezioni per l'udito appropriate.
5. Utilizzare e sottoporre a manutenzione l'utensile come consigliato nelle presenti istruzioni, per evitare un aumento non necessario dei livelli di rumore.
6. Adottare delle misure per la riduzione dei rumori, ad esempio l'utilizzo di superfici fonoassorbenti negli ambienti di lavoro.

### Pericoli relativi alle vibrazioni

1. L'emissione di vibrazioni durante l'uso dipende dall'impugnatura, dalla pressione di contatto, dalla posizione di lavoro, dalla regolazione della pressione e dal materiale su cui si lavora. E' opportuno eseguire una valutazione dei rischi relativa alle vibrazioni e implementare misure di protezione adeguate.
2. L'esposizione alle vibrazioni può causare danni invalidanti ai nervi e alla circolazione del sangue alle mani e alle braccia.
3. Indossare indumenti caldi quando si intende lavorare in condizioni di freddo, e tenere le mani calde e asciutte.
4. Qualora si avvertano intorpidimenti, formicolii, dolori o sbiancamenti della pelle delle dita o delle mani, cercare assistenza medica da parte di un operatore sanitario specializzato in medicina del lavoro relativamente alle attività nel loro contesto.
5. Utilizzare e sottoporre a manutenzione l'utensile come consigliato nelle presenti istruzioni, per evitare un aumento non necessario dei livelli delle vibrazioni.
6. Mantenere l'utensile con una presa leggera ma salda, poiché il rischio dovuto alle vibrazioni in genere aumenta quando la forza di impugnatura è più elevata.

### Avvertenze aggiuntive per gli utensili pneumatici

1. L'aria compressa può essere causa di gravi infortuni.
2. Chiudere sempre l'alimentazione dell'aria e scollegare l'utensile dalla rete quando non è in uso.
3. Scollegare sempre l'utensile dall'alimentazione di aria compressa prima di sostituire gli accessori, effettuare regolazioni e/o riparazioni e quando lo si trasporta.
4. Tenere le dita lontane dal grilletto quando si trasporta l'utensile.
5. Non dirigere mai l'utensile e l'aria compressa verso se stessi o altri.
6. I tubi pneumatici sotto pressione che incidentalmente si staccano dal raccordo, possono scattare come come fruste causando gravi lesioni personali. Controllare sempre tubi e raccordi per individuare possibili danneggiamenti o collegamenti mal fatti.
7. Non trasportare mai un utensile pneumatico afferrandolo per il suo tubo flessibile.

8. Non trascinare mai un utensile pneumatico afferrandolo per il suo tubo flessibile.
9. Quando si utilizzano utensili pneumatici, non superare la pressione massima di esercizio indicata (ps max).
10. Gli utensili pneumatici vanno alimentati solo mediante aria compressa alla pressione più bassa richiesta per la procedura di lavoro, al fine di ridurre rumori, vibrazioni e l'usura.
11. L'uso di ossigeno o gas combustibili per il funzionamento di utensili pneumatici crea un pericolo di incendi ed esplosioni ed è assolutamente vietato.
12. Fare attenzione quando si utilizzano utensili pneumatici, in quanto l'utensile potrebbe diventare freddo, influenzando l'impugnatura e il controllo.



### Avvertenze aggiuntive per gli utensili dotati di attivazione a contatto

1. Non tenere appoggiato il dito sul grilletto quando si impugna l'utensile, quando lo si trasporta o quando si cammina, in quanto l'appoggio del dito sul grilletto può causare uno sparo accidentale.
2. Il presente utensile consente l'azionamento selettivo per l'azionamento a contatto o l'azionamento a contatto continuo, mediante selettori della modalità di azionamento, oppure è un utensile con azionamento a contatto o azionamento a contatto continuo, ed è stato contrassegnato con il simbolo indicato sopra. Gli usi a cui è destinato sono applicazioni di produzione quali pallet, arredamenti, prefabbricati, tappezzerie e rivestimenti.
3. Non utilizzare il presente utensile in azionamento a contatto per applicazioni quali la chiusura di scatole o casse e l'applicazione di sistemi di sicurezza per il trasporto su rimorchi e camion.
4. Attenzione. L'utensile deve essere utilizzato solo in ambienti sicuri.
5. Fare attenzione quando si intende passare da un'ubicazione di applicazione a un'altra.



### CARICAMENTO

1. Scollegare l'utensile dall'alimentazione dell'aria. **(Figure 3)**
2. Sbloccare il caricatore premendo la leva a scatto. **(Figure 4)**
3. Caricamento dei chiodini: Con la chiodatrice rivolta verso il basso, inserire nella cartuccia una stecca di chiodini con le punte rivolte verso il basso. **(Figure 5)** Premere la guida finché non scatta in posizione. **(Figure 6)**
4. Utilizzare esclusivamente i fermi raccomandati (vedere i dati tecnici).
5. L'utensile e i materiali di consumo specificati nelle istruzioni per l'uso devono essere considerati come un sistema unitario ai fini della sicurezza.

### UTILIZZO DELL'UTENSILE

1. Collegare l'utensile all'alimentazione dell'aria prestando attenzione a non puntarlo verso di sé o altre persone. **(Figure 1)**
2. Utilizzare gli utensili alla pressione minima necessaria per l'applicazione. In tal modo si riducono il livello acustico, l'usura e il consumo energetico.
3. Premere la punta dell'utensile sul pezzo da fissare e

premere il grilletto per sparare i punti. **(Figure 7)**  
Regolare la pressione minima necessaria per la penetrazione dei fermi. Effettuare quindi qualche prova iniziando con la pressione minima.

- Controllare che le graffe siano state caricate correttamente.
  - se le graffe non penetrano completamente, aumentare la pressione dell'aria con incrementi di 0,5 bar, verificando il risultato dopo ogni nuova regolazione;
  - se le graffe penetrano troppo, ridurre la pressione dell'aria di 0,5 bar fino a quando il risultato è soddisfacente.
- E' bene in ogni caso lavorare sempre con la minima pressione dell'aria necessaria per l'applicazione.
- Tenere lo strumento saldamente durante l'operazione di lavoro in modo tale da evitare possibili rinculi pericolosi per l'operatore in caso di sparo su materiali troppo duri ed impenetrabili.
- L'utensile deve essere scollegato dalla fonte di aria compressa durante il trasporto, in particolare laddove vengono utilizzate scale a pioli o quando lo spostamento prevede posizioni scomode o instabili.
- Trasportare lo strumento sempre e solo impugnandolo per l'impugnatura e mai tenendo il dito sul grilletto.
- Tenere conto delle condizioni sul luogo di lavoro. Le graffe o i chiodi possono fuoriuscire dai materiali sottili o dagli angoli e dai bordi dei pezzi fissati, quindi essere potenzialmente pericolosi.
- Per la sicurezza personale, utilizzare dispositivi di protezione quali protezione dell'udito e degli occhi.
- Si ottiene lo sparo solo azionando il grilletto quando anche il dispositivo di sicurezza sul frontalino viene premuto contro la superficie di lavoro. Per ripetere lo sparo è sufficiente o premere di nuovo il grilletto o premere di nuovo il sensore di sicurezza del frontalino sulla superficie di lavoro mantenendo il grilletto premuto.
- Evitare di spareare se il caricatore è vuoto.
- Se l'attrezzo presenta un qualsiasi danneggiamento o malfunzionamento deve essere immediatamente scollegato dalla rete di aria compressa e portato da uno specialista per controllo e riparazione.
- Quando si interrompe il lavoro per periodi prolungati bisogna scollegare l'attrezzo dalla fonte dell'aria compressa. Si consiglia anche di svuotare il caricatore.
- I raccordi e gli ingressi d'aria compressa dell'utensile, inclusi i tubi devono essere protetti dalla sporcizia. L'ingresso di polvere, impurità e sabbia possono provocare perdite e danni allo strumento e alle guarnizioni.

### IMPIANTO ARIA COMPRESSA

- Per un corretto funzionamento, l'utensile richiede aria compressa adeguatamente filtrata, asciutta e lubrificata. **(Figure 11)**
- Se la pressione dell'impianto pneumatico supera la pressione massima ammissibile per l'utensile, deve essere installato, a monte del raccordo di collegamento, un adeguato riduttore di pressione.
- Collegare la graffiatrice alla fonte di aria compressa utilizzando tubi e raccordi pneumatici idonei. **(Figure 1)**
- L'impianto pneumatico deve essere adeguatamente

dimensionato in termini di pressione e volumi d'aria per il consumo previsto. Sezioni troppo piccole e portate inadeguate, oltre a sovraccaricare il compressore, possono causare cadute di pressione.

- Le tubazioni dell'aria compressa degli impianti fissi devono avere un diametro interno di almeno 19 mm o superiore in caso di utenze multiple.
- Le tubazioni dell'aria compressa devono essere posate in modo da formare una pendenza in cui il punto più alto sta nella direzione del compressore. I separatori d'acqua devono essere facilmente accessibili e installati nel punto più basso dell'impianto.
- I collegamenti per le utenze dell'impianto pneumatico dovrebbero essere collegati alle condutture dall'alto.
- le prese d'aria dell'impianto pneumatico dovrebbero essere dotate di unità di trattamento dell'aria come filtri, separatori d'acqua e lubrificatori.
- I lubrificatori posti alle prese d'aria dell'impianto pneumatico devono essere controllati giornalmente e, se necessario, rabboccati con olio del tipo raccomandato (vedere DATI TECNICI). Se la tratta della conduttura pneumatica oltre il lubrificatore è superiore a 10 m, la lubrificazione dell'utensile non può essere garantita. Si consiglia pertanto di aggiungere da 2 a 5 gocce (a seconda della dimensione della fissatrice utilizzata) dell'olio raccomandato (vedere DATI TECNICI) che deve essere introdotto attraverso il raccordo di ingresso dell'aria dell'utensile.

### RICERCA DEI GUASTI E MANUTENZIONE

- In caso di inceppamento di un punto, scollegare l'utensile dall'alimentazione dell'aria. **(Figure 3)**
- Sbloccare il caricatore e fare scorrere la guida all'indietro. **(Figure 8)** Rimuovere i fermi inceppati.
- Oppure svitare le due viti del coperchio anteriore ed estrarlo. **(Figure 9)** Rimuovere il punto inceppato. **(Figure 10)** Riposizionare il coperchio e serrare le viti.

### MANUTENZIONE:

- Con l'utensile scollegato dall'alimentazione dell'aria, verificare quotidianamente che il grilletto e il dispositivo di sicurezza si muovano liberamente.
- Controllare che tutte le viti siano serrate. **(Figure 2)** Eventuali viti allentate possono comportare problemi di sicurezza e cedimento dei componenti. Iniettare con cautela 2-3 gocce d'olio nell'ingresso dell'aria.
- Utilizzare unicamente gli olii raccomandati nelle specifiche tecniche. Mantenere pulito l'utensile. Pulirlo regolarmente con un panno asciutto e verificarne l'usura. Lubrificare periodicamente i componenti scorrevoli del caricatore per prevenirne l'usura.
- Non utilizzare detergenti infiammabili. Non utilizzare solventi per evitare di danneggiare O-ring e altri componenti sensibili. Utilizzare aria pulita e asciutta. Se possibile, utilizzare un'unità di depurazione dell'aria compressa a monte del collegamento dell'utensile. Le riparazioni non descritte in queste istruzioni sono riservate a personale qualificato e addestrato oppure ai tecnici di assistenza post-vendita del produttore.

### LISTA DEI PEZZI DI RICAMBIO

Seguire le prescrizioni locali per lo smaltimento del prodotto a fine vita

## PMP171 Lista dei pezzi di ricambio (Figure 12)

Indice	Cod. Art.	Descrizione
A	5001346	Kit valvola di testa, cilindro e pistone
B	5001347	Kit grilletto e sicura
C	5001348	Kit caricatore

# CLAVADORA NEUMÁTICA PMP171

## Manual de instrucciones - traducción del original

ES

### ESPECIFICACIONES TÉCNICAS

Tamaño de la herramienta	Altura	190 mm
	Longitud	230 mm
	Anchura	48 mm
	Peso sin clavos	0,95 kg
	Peso máximo con clavos	0,96 kg
Entrada de aire		1/4"
Presión de funcionamiento máx. admisible		8 bar
Presión de funcionamiento	Min.	5 bar
	Máx.	7 bar
Selector del modo de disparo	Accionamiento por contacto	
Fijaciones recomendadas	Rapid 23P: 15 -> 35 mm	
Medidas del clavo	Ø0,64mm - 23Ga	
Capacidad de carga	150	
Aceite neumático recomendado	Aceite hidráulico ISO 46 o equivalente	
Información de ruido (EN 12549:1999)	LpA, 1s, d	70,9 dB
	incertidumbre	2,5 dB
	LwA, 1s, d	83,9 dB
	incertidumbre	2,5 dB
	LpC, peak	109 dB
incertidumbre	2,5 dB	

Estos valores son característicos, están relacionados con las herramientas y no representan la generación de ruido en el punto de uso. El ruido en el punto de uso dependerá, por ejemplo, del ambiente de trabajo, la pieza en la que se trabaja, el soporte de dicha pieza y del número de golpes. El diseño del lugar de trabajo también puede servir para reducir los niveles de ruido, por ejemplo, si se coloca la pieza de trabajo sobre soportes amortiguadores del ruido.

Información sobre vibraciones (ISO 8662-11:1999)	Vibración	2,24 m/s <sup>2</sup>
		incertidumbre

Este valor es una característica relacionada con la herramienta y no representa la influencia sobre el sistema brazo-mano al usar la herramienta. Las influencias sobre

el sistema brazo-mano al usar la herramienta dependerán, por ejemplo, de la fuerza de agarre, la fuerza de presión de contacto, la dirección de trabajo, el ajuste del suministro de energía, la pieza de trabajo y la base de soporte de trabajo.

### SÍMBOLOS

Se utilizan los siguientes símbolos para el equipo. Asegúrese de que comprende su significado antes del uso.



Lea atentamente las etiquetas y el manual de la herramienta. El incumplimiento de las advertencias puede provocar lesiones graves.



Los operarios y demás personas en el área de trabajo deberán usar protección ocular resistente a los impactos con protectores laterales.



Los operarios y demás personas en el área de trabajo deberán usar protección auditiva.



La herramienta tiene la capacidad de operar en modo de accionamiento por contacto



No utilice la herramienta cuando esté subido en una escalera, escalones, andamios o construcciones similares, ej. bastidores de tejados; al cerrar cajas o cajones; al instalar sistemas de seguridad de transporte, ej. en vehículos y vagones.



Nunca use oxígeno, dióxido de carbono ni ningún otro gas embotellado como fuente de energía para esta herramienta.

### ADVERTENCIAS GENERALES DE SEGURIDAD

1. Para su seguridad personal y el uso y mantenimiento adecuados de la herramienta,

## lea este manual de instrucciones antes de usar la herramienta.



2. Guarde todas las advertencias e instrucciones para futuras consultas.
3. La herramienta está diseñada para ser utilizada únicamente para aplicaciones profesionales. No la use para ningún otro propósito. No está diseñada para realizar fijaciones directamente sobre superficies duras como el acero u hormigón.
4. El usuario debe evaluar los riesgos específicos que pueden presentarse como resultado de cada uso.
5. Cualquier otro uso de esta herramienta excepto el uso previsto está prohibido. Las clavadoras de accionamiento por contacto continuo o accionamiento por contacto deben ser utilizadas solamente para aplicaciones de montaje.
6. Mantenga los dedos alejados del gatillo cuando no esté utilizando la herramienta y cuando se mueva de una posición de trabajo a otra.
7. Riesgos múltiples. Lea y comprenda las instrucciones de seguridad antes de conectar, desconectar, cargar, utilizar la herramienta, hacer mantenimiento y cambiar accesorios, o trabajar cerca de la herramienta. No hacerlo puede provocar lesiones corporales graves.
8. Mantenga todas las partes del cuerpo, como las manos, piernas, etc. alejadas de la dirección de disparo y asegúrese de que las fijaciones no pueden atravesar la pieza de trabajo y clavarse en partes del cuerpo.
9. Cuando utilice la herramienta, sea consciente de que el consumible se puede desviar y ocasionar heridas.
10. Sujete la herramienta agarrándola firmemente y esté preparado para controlar el retroceso.
11. La clavadora solamente debe ser utilizada por operarios expertos.
12. No modifique la herramienta. Las modificaciones pueden reducir la eficacia de los medios de seguridad e incrementar los riesgos para el operario y/o los observadores.
13. No tire el manual de instrucciones.
14. No utilice una herramienta si ha sido dañada.
15. Tenga cuidado cuando utilice los consumibles, especialmente cuando los cargue y descargue, porque los clavos/grapas tienen puntas afiladas que podrían ocasionar heridas.
16. Compruebe siempre la herramienta antes de utilizarla por si tiene piezas rotas, mal conectadas o desgastadas.
17. No trabaje donde no alcance. Utilizar solamente en un lugar de trabajo seguro. Mantenga los pies sobre suelo firme y el equilibrio en todo momento.
18. Mantenga a las demás personas alejadas (cuando trabaje en un área donde haya la posibilidad de que pase gente). Marque claramente su área de operación.
19. No apunte la herramienta hacia usted o hacia otros.
20. No apoye el dedo en el gatillo cuando recoja la herramienta, se mueva entre áreas de operación, posiciones de trabajo o camine, porque apoyar el dedo en el gatillo puede dar lugar a una operación inadvertida. Para herramientas con accionamiento selectivo, compruebe siempre la herramienta antes de utilizarla para asegurarse de que está seleccionado el modo correcto.
21. Utilice solamente guantes que proporcionen una

sensación táctil adecuada y un control seguro de los gatillos y cualquier dispositivo de ajuste.

22. Cuando deje reposar la herramienta, apóyela sobre una superficie plana. Si utiliza el gancho suministrado con la herramienta, sujete la herramienta firmemente en una superficie estable.
23. No utilice la herramienta cuando esté bajo la influencia de alcohol, drogas o productos por el estilo.
24. No utilice la herramienta cuando esté subido en una escalera, escalones, andamios o construcciones similares, ej. bastidores de tejados; al cerrar cajas o cajones; al instalar sistemas de seguridad de transporte, ej. en vehículos y vagones.



### Riesgos relativos al proyectil

1. La clavadora deberá desconectarse para cargar los consumibles, hacer ajustes, despejar atascos o cambiar accesorios.
2. Durante el uso tenga cuidado de que los clavos/grapas penetren el material correctamente y no se puedan desviar o errar el disparo hacia el operario y/o cualquier persona cercana.
3. Durante el uso, podrían salir despedidos restos de la pieza de trabajo y de los consumibles.
4. Póngase siempre gafas de protección para proteger sus ojos de heridas cuando utilice herramientas eléctricas. Las gafas de protección deben cumplir con las normas ANSI Z87.1 en los Estados Unidos de América, EN 166 en Europa, o AS/NZS 1336 en Australia/Nueva Zelanda. En Australia/Nueva Zelanda, se requiere, también, legalmente ponerse pantalla facial para proteger la cara. Es responsabilidad del empresario imponer a los operarios de la herramienta y a otras personas en las inmediaciones del área de trabajo el uso de equipos de protección de seguridad apropiados.
5. Los riesgos para otras personas deberá evaluarlos el operario.
6. Tenga cuidado con las herramientas sin contacto con la zona de trabajo, porque pueden dispararse involuntariamente y herir al operario y/o personas cercanas.
7. Asegúrese de que la herramienta está siempre apoyada de forma segura en la zona de trabajo y que no se puede deslizar.
8. Póngase protección auditiva para proteger sus oídos del ruido de escape y protección para la cabeza. Además, póngase ropa ligera pero no holgada. Las mangas deberán estar abotonadas o arremangadas. No se deberá llevar corbata.



### Riesgos relativos a la operación

1. Sujete la herramienta correctamente: asegúrese de contrarrestar los movimientos normales o repentinos tales como el retroceso.
2. Mantenga una posición equilibrada del cuerpo y los pies sobre suelo firme.
3. Se deben utilizar gafas de seguridad apropiadas y guantes apropiados y se recomienda el uso de ropa de protección.
4. Ha de ponerse protección apropiada para los oídos.
5. Utilice el suministro de energía correcto como se indica en el manual de instrucciones.



6. No utilice la herramienta en plataformas en movimiento o detrás de camiones. Un movimiento repentino de la plataforma puede hacerle perder el control de la herramienta y ocasionar heridas.
7. Asuma siempre que la herramienta está cargada.
8. No acelere el trabajo o fuerce la herramienta. Utilice la herramienta con cuidado.
9. Observe donde pone los pies y mantenga su equilibrio con la herramienta. Asegúrese de que no hay nadie debajo cuando trabaje en lugares altos y sujete la manguera del aire para evitar riesgos si se produce un tirón o enganche repentino.
10. En tejados y otros lugares altos, clave los consumibles a medida que se mueve hacia delante. Es fácil perder el equilibrio si los clava mientras se mueve hacia atrás. Cuando fije los consumibles contra una superficie perpendicular, trabaje de arriba abajo. Haciéndolo así podrá realizar las funciones de uso con menos fatiga.
11. Un consumible se puede torcer o atascar la herramienta si se coloca encima de otro o si golpea un nudo en la madera. El consumible podría salir disparado y alcanzar a alguien, o la propia herramienta podría reaccionar peligrosamente. Coloque los consumibles con cuidado.
12. No deje demasiado tiempo al sol la herramienta cargada o el compresor de aire a presión. Asegúrese de que no entra polvo, arena, virutas ni materias extrañas en la herramienta en el lugar donde la deja reposar.
13. No intente nunca colocar los consumibles desde el interior y exterior al mismo tiempo. Podrían atravesar y/o salir disparados, representando un grave peligro.

#### **Riesgos relativos a movimientos repetitivos**

1. Cuando se utilice una herramienta durante periodos largos, el operario podrá sentir molestias en las manos, brazos, hombros, cuello, u otras partes del cuerpo.
2. Mientras utilice la herramienta, el operario deberá adoptar una postura apropiada pero ergonómica. Mantenga los pies sobre suelo firme y evite posturas incómodas o desequilibradas.
3. Si el operario experimenta síntomas tales como molestias persistentes o recurrentes, dolor, palpitación, achaques, hormigueo, entumecimiento, sensación de ardor o agarrotamiento, no ignore estas señales de advertencia. El operario deberá consultar con un profesional sanitario cualificado sobre las actividades en general.
4. El uso continuado de la herramienta puede ocasionar lesiones por esfuerzo repetitivo debido al retroceso producido por la herramienta.
5. Para evitar lesiones por esfuerzo repetitivo, el operario no deberá trabajar donde no alcance ni utilizar fuerza excesiva. Además, deberá descansar cuando sienta fatiga.
6. Realice una evaluación de riesgos con respecto a los relativos a movimientos repetitivos. Ésta deberá enfocarse en desórdenes esqueleto-musculares y basarse preferentemente en la premisa de que la disminución del esfuerzo durante el trabajo es eficaz para reducir estos desórdenes.

#### **Riesgos relativos a accesorios y consumibles**

1. Desconecte el suministro de energía de la herramienta, como aire, gas o la batería según sea aplicable, antes de cambiar/reemplazar accesorios o

hacer cualquier ajuste.

2. Utilice solamente los tamaños y tipos de accesorios que provee el fabricante.
3. Utilice solamente los lubricantes recomendados en este manual.

#### **Riesgos relativos al lugar de trabajo**

1. Los resbalones, tropiezos y caídas son las principales causas de lesiones en el lugar de trabajo. Sea consciente de las superficies resbaladizas causadas por el uso de la herramienta y también de los riesgos relativos a los tropiezos ocasionados por la manguera de conducto de aire.
2. Proceda con cuidado adicional en entornos desconocidos. Pueden existir riesgos ocultos, como conductos de electricidad o de otros suministros.
3. Esta herramienta no está diseñada para ser utilizada en atmósferas potencialmente explosivas y no está aislada frente a un contacto con energía eléctrica.
4. Asegúrese de que no hay cables eléctricos, tuberías de gas, etc. que puedan ocasionar un riesgo si se dañan al utilizar la herramienta.
5. Mantenga el área de trabajo limpia y bien iluminada. Las áreas de trabajo desordenadas u oscuras pueden provocar accidentes.
6. Puede haber regulaciones locales concernientes al ruido que deben cumplirse manteniendo los niveles de ruido dentro de los límites prescritos. En ciertos casos, se deberán utilizar paneles para contener el ruido.

#### **Riesgos relativos al polvo y el escape**

1. Compruebe siempre su entorno. El aire expulsado de la herramienta puede esparcir polvo u otros objetos y golpear al operario y/o personas cercanas.
2. Dirija el escape de forma que minimice la propagación de polvo en un ambiente lleno de polvo.
3. Si en el área de trabajo se genera polvo u otros objetos, reduzca la emisión tanto como sea posible para reducir los riesgos para la salud y el riesgo de lesiones.

#### **Riesgos relativos al ruido**

1. Una exposición sin protección a altos niveles de ruido puede causar una pérdida permanente de la capacidad de audición y otros problemas en los oídos (como tintineos, zumbidos, pitidos).
2. Realice una valoración de riesgos acerca del ruido en el área de trabajo e implemente los controles adecuados para estos riesgos.
3. Los controles adecuados para reducir el riesgo pueden incluir acciones tales como amortiguar los materiales para evitar que las piezas de trabajo "tintineen".
4. Utilice protección apropiada para los oídos.
5. Utilice la herramienta y realice su mantenimiento como se recomienda en estas instrucciones, para evitar un aumento innecesario de los niveles de ruido.
6. Tome medidas de reducción de ruido, por ejemplo, colocando las piezas de trabajo sobre soportes que amortigüen el sonido.

#### **Riesgos relativos a la vibración**

1. La emisión de vibración durante el uso depende de la fuerza de asimiento, la fuerza de presión de contacto, la dirección de trabajo, el ajuste del suministro de energía, la pieza de trabajo, el apoyo de la pieza de trabajo. Realice una valoración de riesgos acerca de la

- vibración e implemente los controles apropiados para estos riesgos.
- La exposición a la vibración puede causar daños incapacitantes en los nervios y en la circulación de la sangre en manos y brazos.
  - Use ropa de abrigo cuando trabaje en bajas temperaturas, mantenga sus manos calientes y secas.
  - Si siente entumecimiento, hormigueo, dolor o emblanquecimiento de la piel en sus dedos o manos, solicite consejo médico de un profesional sanitario cualificado acerca de las actividades en general.
  - Utilice la herramienta y realice su mantenimiento como se recomienda en estas instrucciones, para evitar un aumento innecesario de los niveles de vibración.
  - Sujete la herramienta con un agarre ligero pero seguro, porque el riesgo de vibración es generalmente mayor cuando la fuerza de agarre es más fuerte.

#### Advertencias adicionales para las herramientas neumáticas.

- El aire comprimido puede ocasionar lesiones graves.
- Cierre siempre el suministro de aire y desconecte la herramienta del suministro de aire cuando no se esté utilizando.
- Desconecte siempre la herramienta del suministro de aire comprimido antes de cambiar accesorios, hacer ajustes y/o reparaciones, cuando se mueva de una área de trabajo a otra diferente.
- Mantenga los dedos alejados del gatillo cuando no esté utilizando la herramienta y cuando se mueva de una posición de trabajo a otra.
- No dirija nunca el aire comprimido hacia usted o hacia cualquier otra persona.
- Los latigazos de manguera pueden causar lesiones graves. Compruebe siempre si las mangueras o accesorios están dañados o sueltos.
- No transporte nunca la herramienta neumática cogiéndola por la manguera.
- No arrastre nunca la herramienta neumática cogiéndola por la manguera.
- Cuando utilice herramientas neumáticas, no exceda la presión máxima de operación ps máx.
- Las herramientas neumáticas solo deben funcionar con aire comprimido a la presión más baja requerida para que el proceso de trabajo reduzca el ruido y la vibración y minimice el desgaste.
- La utilización de oxígeno o gases combustibles para el funcionamiento de las herramientas neumáticas crea un riesgo de incendio y explosión.
- Tenga cuidado cuando utilice herramientas neumáticas porque la herramienta puede enfriarse, afectando al asimiento y el control.



#### Advertencias adicionales para herramientas con capacidad de accionamiento por contacto

- No apoye el dedo en el gatillo cuando recoja la herramienta, se mueva entre distintas áreas o posiciones de trabajo o camine, porque apoyar el dedo en el gatillo puede dar lugar a un funcionamiento inadvertido.
- Esta herramienta tiene o bien accionamiento selectivo para accionamiento por contacto o accionamiento por contacto continuo con selectores de modo de accionamiento o bien es una herramienta de

accionamiento por contacto o de contacto con accionamiento continuo y ha sido marcada con el símbolo de arriba. Sus usos previstos son para aplicaciones de producción tales como pallets, mobiliario, casas prefabricadas, tapicería y revestimiento.



- No utilice esta herramienta en accionamiento por contacto para aplicaciones tales como para cerrar cajas o cajones de embalaje y colocar sistemas de seguridad para transporte en tráileres y camiones.
- Advertencia de que la herramienta sólo se utilizará en lugares de trabajo seguros.
- Tenga cuidado cuando cambie de un lugar de clavado a otro.

#### CARGANDO

- Desconecte la herramienta del suministro de aire. **(Figure 3)**
- Apriete la palanca para liberar el cargador. **(Figure 4)**
- Carga de clavillos: Mantenga la pistola de clavos hacia abajo y cargue una banda de clavos en el cartucho con las puntas orientadas hacia abajo. **(Figure 5)** Presione el riel hasta que haga clic al encajar en su lugar. **(Figure 6)**
- Use solamente fijaciones recomendadas (ver especificaciones técnicas).
- La herramienta y los consumibles especificados en las instrucciones de funcionamiento deben considerarse como un único sistema de seguridad.

#### USO DE LA HERRAMIENTA

- Mantenga la herramienta apuntando lejos de usted y de otras personas, y conecte la herramienta al suministro de aire. Las herramientas se deben usar con la presión más baja requerida por la aplicación. Esto reducirá los niveles de ruido, el desgaste de las piezas y el uso de energía. **(Figure 1)**
- Presione la punta de la herramienta sobre la pieza de trabajo que desea sujetar y presione el gatillo para disparar grapas.
- Ajuste la presión mínima necesaria para la perforación de las fijaciones. **(Figure 7)** Después, haga algunas pruebas comenzando con la presión más baja.
- Compruebe si el consumible se ha introducido en la pieza de trabajo correctamente.
  - Si el clavo/grapa sobresale, aumente la presión de aire en incrementos de 0,5 bar, comprobando el resultado después de cada nuevo ajuste;
  - Si el clavo/grapa se introduce a una profundidad excesiva, reduzca la presión de aire en incrementos de 0,5 bar hasta que el resultado sea satisfactorio.
- En cualquier caso, debe esforzarse por trabajar con la presión de aire más baja posible.
- Sujete la herramienta durante el trabajo de tal manera que no se puedan causar lesiones en la cabeza o el cuerpo en caso de un posible retroceso, como consecuencia de una interrupción en el suministro de energía o por la presencia de partes más duras en la pieza de trabajo.
- La herramienta se desconectará del sistema de aire comprimido para su transporte, especialmente cuando

se use en escaleras o se adopte una postura física inusual mientras se mueve.

8. Mueva la herramienta por el lugar de trabajo usando solo el mango y nunca con el gatillo accionado.
9. Tenga en cuenta las condiciones del lugar de trabajo. Los consumibles pueden atravesar las piezas de trabajo delgadas o resbalar en las esquinas y bordes de las piezas de trabajo, poniendo en riesgo a las personas cercanas.
10. Para su seguridad personal, use equipo de protección para los oídos y los ojos.
11. El gatillo y el seguro de disparo deben accionarse para cada puesta en funcionamiento, sin especificar el orden de actuación. Para un funcionamiento continuado es suficiente si el gatillo permanece activado y el seguro de disparo se activa posteriormente, o viceversa.
12. Evite activar la herramienta si el cargador está vacío.
13. Cualquier herramienta defectuosa o que funcione incorrectamente debe desconectarse inmediatamente del suministro de aire comprimido y pasar a un especialista para su inspección.
14. En caso de pausas largas en el trabajo o al final del turno de trabajo, desconecte la herramienta del suministro de aire comprimido y se recomienda vaciar el cargador
15. Los conectores de aire comprimido de la herramienta y las mangueras deben protegerse contra la contaminación. La entrada de polvo, astillas, arena, etc. puede provocar fugas y daños en la herramienta y sus accesorios.

#### SISTEMA DE AIRE COMPRIMIDO

1. El funcionamiento adecuado de la clavadora requiere aire comprimido filtrado, seco (y lubricado) en cantidades adecuadas. **(Figure 11)**
2. Si la presión de aire en el sistema de línea excede la presión máxima permitida de la clavadora, se deberá instalar una válvula reductora de presión seguida de una válvula de seguridad en la línea de suministro a la herramienta.
3. Conecte la clavadora al suministro de aire comprimido utilizando una manguera de presión adecuada equipada con conectores de acción rápida. **(Figure 1)**
4. El compresor deberá adecuarse en términos de salida de presión y rendimiento (flujo volumétrico) para el consumo que se espera. Las secciones de línea que son demasiado pequeñas en relación con la longitud de la línea (tuberías y mangueras), así como la sobrecarga del compresor, provocarán caídas de presión.
5. Las mangueras del aire comprimido deben tener un diámetro interno de al menos 19 mm y un diámetro mayor cuando estén incluidas mangueras relativamente largas o múltiples usuarios.
6. Las mangueras de aire comprimido deben colocarse para formar un gradiente (punto más alto en la dirección del compresor). Los separadores de agua de fácil acceso deben instalarse en los puntos más bajos.
7. Los empalmes para los usuarios deben unirse a las mangueras desde arriba.
8. Los puntos de conexión para las clavadoras deben estar equipados con una unidad de servicio de aire

comprimido (filtro / separador de agua / engrasador) directamente en el punto de unión.

9. Los lubricantes deben revisarse diariamente y, si es necesario, recargarse con el grado de aceite recomendado (ver DATOS TÉCNICOS). Cuando se utilizan mangueras de más de 10 m, no se puede garantizar el suministro de aceite para la clavadora. Por lo tanto, recomendamos agregar de 2 a 5 gotas (dependiendo de la carga de la herramienta) del aceite recomendado (ver DATOS TÉCNICOS) a través de la entrada de aire de la herramienta, o un lubricante conectado directamente a la clavadora.

#### RESOLUCIÓN DE PROBLEMAS Y MANTENIMIENTO

1. Si se produce un atasco de grasas, desconecte la herramienta del suministro de aire. **(Figure 3)**
2. Libere el cargador y deslice el riel a la parte posterior. **(Figure 8)** Quite las fijaciones atascadas.
3. O suelte los dos tornillos de la cubierta frontal y extráigalo. **(Figure 9)** Retire el material atascado. **(Figure 10)** Vuelva a colocar la tapa frontal y apriete los tornillos.

#### MANTENIMIENTO:

1. Mientras la herramienta está desconectada del suministro de aire, haga una inspección diaria para asegurarse del libre movimiento del yugo de seguridad y del disparador.
2. Todos los tornillos se deben mantener apretados. **(Figure 2)**

Los tornillos sueltos dan como resultado un funcionamiento inseguro y la rotura de las piezas. Derrame un poco de aceite, 2 o 3 gotas, en la entrada de aire.

3. Usar solamente el aceite recomendado en las especificaciones técnicas del producto. Mantenga limpia la herramienta. Frótelas regularmente con un paño seco, e inspeccione si tiene desgaste. Para evitar el desgaste, lubrifique de vez en cuando las piezas deslizantes del cargador.
4. No use líquidos limpiadores inflamables. No remoje ni use disolventes, pues esos líquidos pueden dañar las juntas tóricas y otras piezas delicadas de la herramienta. Use aire limpio y seco. Use preferentemente una unidad de procesamiento de aire comprimido en el flujo de subida de la conexión de la herramienta. Solamente deberá realizar otras reparaciones distintas a las aquí descritas un personal formado y cualificado, o el servicio posventa del fabricante.

#### LISTA DE RECAMBIOS

Consulte las regulaciones locales antes de desechar de la herramienta.

#### PMP171 Lista de recambios (Figure 12)

Índice	Referencia	Descripción
A	5001346	Kit de válvula, cilindro y pistón
B	5001347	Set de seguridad y disparador
C	5001348	Kit de cargador

# PREGADOR PNEUMÁTICO PMP171

## Instruções de utilização - tradução do original

PT

### ESPECIFICAÇÕES TÉCNICAS

Dimensão da ferramenta	Altura	190 mm
	Comprimento	230 mm
	Largura	48 mm
	Peso sem prego	0,95 kg
	Peso máximo com pregos	0,96 kg
Entrada de ar	1/4"	
Pressão de operação máxima admissível	8 bar	
Pressão de operação	Mínima	5 bar
	Máxima	7 bar
Controlo de modo de disparo	Acionamento por contacto	
Agrafos recomendados	Rapid 23P: 15 -> 35 mm	
Dimensões do prego	Ø0,64mm - 23Ga	
Capacidade de carregamento	150	
Óleo pneumático recomendado	Óleo hidráulico ISO 46 ou equivalente	
	LpA, 1s, d	70,9 dB
Informações de ruído (EN 12549:1999)	incerteza	2,5 dB
	LwA, 1s, d	83,9 dB
	incerteza	2,5 dB
	LpC, peak	109 dB
	incerteza	2,5 dB

Estes valores são valores característicos relacionados com a ferramenta, e não representam geração de ruído no sítio de utilização. O ruído no sítio de utilização dependerá, por exemplo, do ambiente de trabalho, da peça a trabalhar, do suporte da peça e do tipo de operação. A concepção do local de trabalho também serve para reduzir níveis de ruído, por exemplo colocação da peça a trabalhar em suportes abafadores de som.

Informações de vibração (ISO 8662-11:1999)	Vibração	2,24 m/s <sup>2</sup>
	incerteza	0,332 m/s <sup>2</sup>

Este valor é um valor característico relacionado com a ferramenta e não representa a influência para o sistema mão-braço quando da utilização da ferramenta. Qualquer influência no sistema mão-braço quando da utilização da ferramenta dependerá, por exemplo, da força de agarrar, da força de pressão do contacto, da direcção do trabalho, do ajuste a energia fornecida, da peça a trabalhar e do suporte da peça.

### SÍMBOLOS

Em seguida são apresentados os símbolos utilizados para o equipamento. Certifique-se de que compreende o seu significado antes de usar o equipamento.



Leia e entenda as etiquetas e o manual da ferramenta. O não cumprimento dos avisos pode resultar em ferimentos graves.



Os operadores e outras pessoas na área de trabalho devem usar proteção ocular com proteção lateral, resistentes a impactos.



Os operadores e outras pessoas na área de trabalho devem usar proteção auditiva.



A ferramenta tem a capacidade de operar em modo de disparo por contacto.



Não use a ferramenta quando estiver em escadas ou andaimes ou construções semelhantes a estas, por exemplo ripas de telhado, ou ao fechar caixas ou caixotes, ao instalar sistemas de segurança de transporte, por exemplo em veículos e vagões.



Nunca utilize oxigénio, dióxido de carbono ou qualquer outro gás engarrafado como uma fonte de energia para esta ferramenta.

### AVISOS GERAIS DE SEGURANÇA

- Para a sua segurança, operação e manutenção adequadas da ferramenta, leia este manual de instruções antes de usar a ferramenta.**
- Guarde todos os avisos e instruções para referência futura.
- A ferramenta foi projetada para ser usada apenas para aplicações profissionais. Não a utilize para outros fins. Não foi projetada para fixar diretamente numa superfície dura como aço ou cimento.
- O utilizador deve avaliar os riscos específicos que estão presentes como resultado da sua utilização.
- É proibida qualquer outra utilização, exceto a utilização prevista desta ferramenta. As ferramentas de fixação com disparo por contacto contínuo ou disparo por contacto apenas devem ser utilizadas para aplicações em produção.
- Mantenha os dedos afastados do gatilho quando não estiver a operar esta ferramenta e quando mudar de uma posição operacional para outra.
- Múltiplos riscos. Leia e compreenda as instruções de segurança antes de ligar, desligar, carregar, operar, manter, substituir acessórios na ferramenta ou trabalhar junto desta. Caso não o faça pode resultar

em lesões graves.

8. Mantenha todas as partes do corpo, tais como as mãos e as pernas, etc. afastadas da direção de disparo e assegure que o fixador não consegue penetrar a peça de trabalho nas partes do corpo.
9. Quando usar esta ferramenta, tenha em consideração que o fixador pode desviar-se e causar lesões.
10. Segure a ferramenta firmemente e esteja preparado para lidar com o recuo.
11. Apenas operadores tecnicamente qualificados devem usar a ferramenta de aplicar com fixador.
12. Não modifique a ferramenta de aplicar com fixador. As modificações poderão reduzir a eficácia das medidas de segurança e aumentar os riscos para o operador e/ou espectador.
13. Não elimine o manual de instruções.
14. Não utilize a ferramenta se esta tiver sofrido danos.
15. Tenha cuidado quando manusear fixadores, especialmente quando carregar e descarregar, dado que os fixadores têm pontas afiadas que podem causar lesões.
16. Verifique sempre a ferramenta apresenta peças partidas, mal conectadas ou gastas antes de usar a ferramenta.
17. Não tente alcançar um lugar à distância. Utilize a ferramenta apenas num local de trabalho seguro. Mantenha sempre uma posição e equilíbrio apropriados.
18. Mantenha os espectadores afastados (quando estiver a trabalhar numa área na qual existe a probabilidade de tráfego de pessoas). Delimite claramente a sua área de operação.
19. Nunca aponte a ferramenta na sua direção ou na direção de outras pessoas.
20. Não deixe o dedo pousado no gatilho quando pegar na ferramenta, mover-se entre as áreas e as posições de operação ou quando andar, pois o dedo pousado no gatilho pode causar o funcionamento inadvertido da ferramenta. Para as ferramentas com atuação seletiva, verifique sempre a ferramenta antes de utilizá-la, de modo a assegurar que o modo selecionado é o correto.
21. Use luvas que apenas proporcionem a sensação adequada, o controlo seguro de gatilhos e de todos os dispositivos de regulação.
22. Quando pousar a ferramenta, coloque-a numa superfície plana. Se usar o gancho equipado com a ferramenta, enganche a ferramenta fixamente à superfície estável.
23. Não a utilize quando estiver sob a influência do álcool, drogas ou outro tipo de substâncias que alterem sua capacidade.
24. Não use a ferramenta quando estiver em escadas ou andaimes ou construções semelhantes a estas, por exemplo ripas de telhado, ou ao fechar caixas ou caixotes, ao instalar sistemas de segurança de transporte, por exemplo em veículos e vagões.



### Riscos de projeção

1. O pregador deve estar desligado quando descarregar os consumíveis, realizar ajustes, desimpedir encravamentos ou substituir acessórios.
2. Durante o funcionamento, assegure que os fixadores

penetram o material corretamente e que não podem ser desviados/disparados incorretamente em direção ao operador e/ou a quaisquer espectadores.

3. Durante o funcionamento, os resíduos da peça de trabalho e do sistema de fixação podem ser removidos.
4. Use sempre óculos de proteção para proteger os seus olhos contra lesões quando usar ferramentas elétricas. Os óculos de proteção devem cumprir os requisitos da ANSI Z87.1 nos EUA, EN 166 na Europa ou AS/NZS 1336 na Austrália/ Nova Zelândia. Na Austrália/Nova Zelândia, é legalmente obrigatório o uso de um protetor facial para proteger o seu rosto também. Cabe ao empregador a responsabilidade de impor o uso de equipamentos de proteção e segurança apropriados por parte dos operadores de ferramentas e por parte de outras pessoas na área de trabalho adjacente.
5. Os riscos para outras pessoas devem ser tido em conta pelo operador.
6. Tenha cuidado com as ferramentas sem contacto com a peça de trabalho, pois podem ser disparadas inadvertidamente e ferir o operador e/ou espectadores.
7. Assegure que a ferramenta está sempre em segurança na peça de trabalho e que não desliza.
8. Utilize proteção auricular para proteger os ouvidos contra ruído de escape e proteção para a cabeça. Use ainda vestuário leve, mas não largo. As mangas devem ser abotoadas ou estar enroladas. Não deve usar gravatas.



### Riscos de operação

1. Segure a ferramenta corretamente: esteja preparado para reagir a movimentos normais e repentinos, tais como recuo.
2. Mantenha uma postura corporal equilibrada e uma posição segura.
3. Devem ser utilizados óculos de proteção apropriados e recomenda-se o uso de luvas e vestuário de proteção apropriados.
4. Deve ser usada proteção auditiva apropriada.
5. Utilize a fonte de alimentação correta conforme indicado no manual de instruções.
6. Não utilize a ferramenta em plataformas móveis ou traseira de camiões. O movimento súbito da plataforma poderá fazer perder o controlo da ferramenta e causar lesões.
7. Assuma sempre que a ferramenta contém os consumíveis.
8. Não apresse o trabalho nem force a ferramenta. Manuseie a ferramenta com cuidado.
9. Tenha cuidado na forma como põe os pés e mantenha o equilíbrio com a ferramenta. Certifique-se de que não está ninguém por baixo quando trabalhar em locais altos, e fixe a mangueira de ar para evitar perigos, se houver um encravamento ou sacão repentino.
10. Nos telhados e outros locais altos, aplique os fixadores à medida que vai avançando. É fácil perder o equilíbrio se aplicar os fixadores quando está a andar para trás. Quando aplicar os fixadores contra uma superfície perpendicular, trabalhe de cima para baixo. Pode realizar operações de aplicação com

menos esforço se o fizer desta forma.

1. Se aplicar por engano um fixador sobre outro, ou se atingir um nó da madeira, o fixador pode dobrar-se ou a ferramenta pode encravar. O fixador pode ser projectado para longe e acertar em alguém ou a própria ferramenta pode reagir de forma perigosa. Aplique os fixadores com cuidado.
2. Não deixe a ferramenta carregada ou o compressor de ar sob pressão durante longos períodos ao sol. Certifique-se de que a poeira, a areia, as lascas e outras matérias estranhas não entrem na ferramenta no local onde a deixar assente.
3. Nunca tente aplicar os fixadores a partir de dentro e de fora ao mesmo tempo. Os fixadores podem ser arrancados e/ou serem projectados para longe, apresentando um perigo grave.

### **Riscos de movimentos repetitivos**

1. Quando utiliza uma ferramenta por períodos prolongados, o operador poderá sentir desconforto nas mãos, braços, ombros, pescoço ou outras partes do corpo.
2. Enquanto utiliza uma ferramenta, o operador deve adotar uma postura cómoda mas ergonómica. Mantenha uma posição segura e evite posturas estranhas ou desequilibradas.
3. Se o operador tiver sintomas, tais como desconforto persistente ou recorrente, dor, palpitações, dormência, entorpecimento, sensação de queimadura ou rigidez, não ignore estes sinais de aviso. O operador deve consultar um profissional de saúde qualificado no que diz respeito a atividades em geral.
4. A utilização contínua da ferramenta poderá causar a lesão por esforço repetitivo devido ao recuo produzido pela ferramenta.
5. Para evitar lesões decorrentes de esforço repetitivo, o operador não deve tentar chegar a locais de difícil acesso ou usar força excessiva. Além disso, o operador deve fazer uma pausa para descansar quando sentir fadiga.
6. Realize uma avaliação de risco relativamente aos perigos de movimento repetitivo. Esta deve concentrar-se nas desordens músculo-esqueléticas e basear-se preferencialmente no pressuposto de que a diminuição da fadiga durante o trabalho é eficaz na redução das desordens.

### **Riscos relacionados com acessórios e consumíveis**

1. Desligue a alimentação de energia para a ferramenta, tal como ar ou gás ou bateria, consoante aplicável, antes de substituir os acessórios, tais como o contacto com a peça de trabalho ou realizar quaisquer ajustes.
2. Utilize apenas os tamanhos e os tipos de acessórios que são fornecidos pelo fabricante.
3. Utilize apenas os lubrificantes recomendados neste manual.

### **Riscos no local de trabalho**

1. Os escorregões, tropeções e quedas são as principais causas de lesão no local de trabalho. Tenha cuidado com superfícies escorregadias quando a utilização da ferramenta e também com os riscos de tropeções causados pela mangueira da linha de ar.
2. Proceda com cuidado redobrado em ambientes com os quais não está familiarizado. Poderão existir riscos

ocultos, tais como linhas de eletricidade ou outros objectos.

3. Esta ferramenta não se destina à utilização em atmosferas potencialmente explosivas e não está isolada contra o contacto com a corrente eléctrica.
4. Certifique-se de que não existem cabos eléctricos, tubos de gás, etc. que possam causar um risco caso sejam danificados pela utilização da ferramenta.
5. Mantenha a área de trabalho limpa e bem iluminada. As áreas obstruídas ou escuras dão origem a acidentes.
6. Podem existir regulamentos locais referentes ao ruído, que têm de ser cumpridos, mantendo os níveis de ruído dentro dos limites indicados. Em determinados casos, devem ser utilizadas persianas para conter o ruído.

### **Riscos relacionados com pó e exaustão**

1. Verifique sempre ambiente em seu redor. O ar expelido da ferramenta poderá soprar pó ou objetos e atingir o operador e/ou os espectadores.
2. Direcione o escape de modo a minimizar perturbações devidas a poeira num ambiente repleto de poeira.
3. Se for emitida poeira ou objetos na área de trabalho, reduza a emissão o máximo possível para reduzir os perigos de saúde e o risco de lesão.

### **Riscos relacionados com ruído**

1. A exposição desprotegida a elevados níveis de ruído pode causar a perda permanente e incapacitante da audição e outros problemas, tais como tinido (zumbido, zunido, assobio ou murmúrio nos ouvidos).
2. Realize uma avaliação de risco relativamente aos perigos de ruído na área de trabalho e implemente os controlos apropriados para estes perigos.
3. Os controlos apropriados para reduzir o risco poderão incluir ações, tais como materiais de isolamento para prevenir o zumbido das peças de trabalho.
4. Utilize proteção auditiva apropriada.
5. Opere e mantenha a ferramenta conforme recomendado nestas instruções, de modo a prevenir o aumento desnecessário dos níveis de ruído.
6. Adote medidas de redução do ruído, por exemplo, ao colocar as peças de trabalho sobre suportes amortecedores de som.


### **Riscos relacionados com vibração**

1. A emissão de vibração durante o funcionamento depende da força de aderência, da força da pressão de contacto, da direcção de trabalho, do ajuste do fornecimento de energia, da peça de trabalho, do suporte da peça de trabalho. Realize uma avaliação de risco relativamente aos perigos de vibração e implemente os controlos apropriados para estes perigos.
2. A exposição à vibração pode causar danos incapacitantes nos nervos e suprimento sanguíneo das mãos e braços.
3. Use vestuário quente quando trabalhar em condições atmosféricas frias, mantenha as mãos quentes e secas.
4. Se sentir entorpecimento, dormência, dor ou palidez da pele nos seus dedos ou mãos, procure aconselhamento médico de um profissional de saúde ocupacional no que diz respeito a atividades em geral.
5. Opere e mantenha a ferramenta conforme


recomendado nestas instruções, de modo a prevenir o aumento desnecessário dos níveis de vibração.

6. Segure a ferramenta com um aperto leve mas seguro, porque o risco de vibração é geralmente superior quando a força de aperto é superior.

#### **Avisos adicionais para ferramentas pneumáticas**

1. O ar comprimido pode causar lesões graves.
2. Desligue sempre o fornecimento de ar e desligue a ferramenta do fornecimento de ar quando não estiver a ser utilizada.
3. Desligue sempre a ferramenta do fornecimento de ar comprimido antes de substituir acessórios, realizar ajustes e/ou reparações, quando se mover de uma área operacional para uma área diferente.
4. Mantenha os dedos afastados do gatilho quando não estiver a operar a ferramenta e quando mudar de uma posição operacional para outra.
5. Nunca aponte o ar comprimido na sua direção ou na direção de outras pessoas.
6. As mangueiras a sacudir podem causar lesões graves. Verifique sempre se as mangueiras ou acessórios estão danificados ou soltos.
7. Nunca transporte uma ferramenta pneumática segurando-a pela respetiva mangueira.
8. Nunca arraste uma ferramenta pneumática segurando-a pela respetiva mangueira.
9. Quando usar ferramentas pneumáticas não exceda a pressão máxima de funcionamento.
10. As ferramentas pneumáticas apenas devem ser acionadas por ar comprimido com a pressão mais baixa necessária para o processo de trabalho, de modo a reduzir o ruído e a vibração e minimizar o desgaste.
11. Usar oxigénio ou gases combustíveis para operar ferramentas pneumáticas cria o risco de incêndio e de explosão. 
12. Tenha cuidado quando usar ferramentas pneumáticas, dado que a ferramenta pode arrefecer, afetando a aderência e o controlo.

#### **Avisos adicionais para ferramentas com capacidade de atuação de contacto**

1. Não deixe o dedo pousado no gatilho quando pegar na ferramenta, mover-se entre as áreas e as posições de operação ou quando andar, pois o dedo pousado no gatilho pode causar o funcionamento inadvertido da ferramenta.
2. Se esta ferramenta possuir seletor de acionamento por contacto e acionamento de contacto contínuo ou é uma ferramenta de acionamento por contacto ou de acionamento de contacto contínuo e foi marcada com o símbolo acima, as suas utilizações previstas destinam-se a aplicações de produção, tais como paletes, mobília, casas pré-fabricadas, estofos e revestimentos. 
3. Não utilize esta ferramenta no modo de acionamento por contacto para aplicações tais como caixas ou grades fechadas e sistemas de segurança de transporte de acessórios em reboques e camiões.
4. Utilize apenas a ferramenta em locais de trabalho seguros.
5. Tenha cuidado quando mudar de uma localização de aparafusar para outro.

## **CARREGAMENTO**

1. Desligue a ferramenta do ar de fornecimento. **(Figure 3)**
2. Retire a cassetete premindo a alavanca de clique. **(Figure 4)**
3. Carregamento de pregos: Mantenha a pistola a apontar para baixo e carregue uma faixa de pregos no cartucho, com as pontas a apontarem para baixo. **(Figure 5)** Empurre a calha até ela encaixar no lugar. **(Figure 6)**
4. Utilize apenas agrafos recomendados (consulte as especificações técnicas).
5. A ferramenta e os elementos de fixação especificados nas instruções de operação devem ser considerados como um sistema de segurança da unidade.

## **UTILIZAÇÃO DA FERRAMENTA**

1. Mantenha a ferramenta apontada para longe de si e de outras pessoas e ligue a ferramenta ao fornecimento de ar. **(Figure 1)**
2. As ferramentas devem ser operadas com a menor pressão para a aplicação. Isto reduzirá os níveis de ruído, o desgaste das peças e a energia utilizada.
3. Prima a ponta da ferramenta para a peça a trabalhar e ser fixada e prima o gatilho para disparar os agrafos. **(Figure 7)**  
Ajuste a pressão mínima que é necessária para a penetração dos agrafos. De seguida, efectue alguns testes começando com a pressão mais baixa.
4. Verifique se o fixador foi inserido na peça de trabalho de acordo com os requisitos.
  - se o fixador estiver saliente, aumente a pressão do ar em incrementos de 0,5 bar, verificando o resultado após cada ajuste;
  - se o fixador for aplicado com uma profundidade excessiva, reduza a pressão do ar em incrementos de 0,5 bar até que o resultado seja satisfatório.
5. Deve executar o trabalho com a menor pressão de ar possível.
6. Segure a ferramenta durante a operação de trabalho de forma que não seja possível vir a causar ferimentos na cabeça ou no corpo no caso de um possível recuo resultante de uma interrupção no fornecimento de energia ou em áreas duras da peça de trabalho.
7. A ferramenta deve ser desconectada do sistema de ar comprimido para fins de transporte, especialmente quando passar por escadas ou quando uma postura incomum é adotada durante o movimento.
8. Transporte a ferramenta no local de trabalho usando apenas a alça e nunca com o gatilho acionado.
9. Leve em consideração as condições no local de trabalho. Os fixadores podem penetrar em peças finas ou escorregar nos cantos e bordas das peças e, assim, colocar as pessoas em risco.
10. Para segurança pessoal, use equipamentos de proteção, como proteção auditiva e ocular.
11. O gatilho e o garfo de segurança devem ser acionados para cada operação, não sendo especificada a ordem de atuação. Para operações de aplicações repetidas, é suficiente se o gatilho permanecer ativado e o garfo de segurança for ativado posteriormente, ou vice-versa.
12. Evite acionar a ferramenta se o carregador estiver

vazio.

- Qualquer ferramenta defeituosa ou que funcione incorretamente deve ser desconectada imediatamente da alimentação de ar comprimido e enviada a um especialista para inspeção.
- No caso de pausas mais longas no trabalho ou no final do turno de trabalho, desconecte a ferramenta do suprimento de ar comprimido e é recomendável esvaziar o carregador.
- Os conectores de ar comprimido da ferramenta e as mangueiras devem ser protegidos contra contaminação. A entrada de poeira grossa, lascas, areia etc. resultará em vazamentos e danos à ferramenta e aos acessórios.

### SISTEMA DE AR COMPRIMIDO

- O funcionamento adequado da ferramenta requer ar comprimido filtrado, seco e lubrificado em quantidades adequadas. **(Figure 11)**
- Se a pressão do ar no sistema de linha exceder a pressão máxima permitida da ferramenta, uma válvula redutora de pressão seguida por uma válvula de segurança a jusante deve ser adicionalmente instalada na linha de alimentação da ferramenta.
- Conecte a ferramenta ao fornecimento de ar comprimido usando mangueira de pressão adequada equipada com conectores rápidos. **(Figure 1)**
- A instalação de compressor deve ser adequada em termos de saída de pressão e desempenho (vazão volumétrica) para o consumo esperado. Seções de linha muito pequenas em relação ao comprimento da linha (tubos e mangueiras), além de sobrecarregar o compressor, resultarão em quedas de pressão.
- As condutas de ar comprimido colocadas permanentemente devem ter um diâmetro interno de pelo menos 19 mm e um diâmetro grande correspondente no caso de condutas relativamente longas ou vários usuários.
- As condutas de ar comprimido devem ser instaladas de modo a formar um gradiente (ponto mais alto na direção do compressor). Separadores de água de fácil acesso devem ser instalados nos pontos mais baixos.
- Junções para utilizadores devem ser unidas aos pipelines na parte superior.
- Os pontos de conexão para ferramentas devem ser equipados com uma unidade de manutenção de ar comprimido (filtro / separador de água / lubrificador) diretamente no ponto de junção.
- Os lubrificadores devem ser verificados diariamente e, se necessário, completados com o nível de óleo recomendado (consulte DADOS TÉCNICOS). Comprimentos de mangueira acima de 10 m não garantem o devido fornecimento de óleo à ferramenta. Portanto, recomendamos que 2 a 5 gotas (dependendo da carga da ferramenta) do óleo recomendado (consulte DADOS TÉCNICOS) sejam adicionadas através da entrada de ar da ferramenta ou de um lubrificador conectado diretamente à ferramenta.

### DETECÇÃO DE PROBLEMAS E MANUTENÇÃO

- Se um agrafó ficar preso, desligue a ferramenta do fornecimento de ar. **(Figure 3)**
- Liberte a cassete e deslize a calha para trás.

**(Figure 8)** Retire os agrafos presos.

3. Ou solte os dois parafusos da tampa frontal e puxe-a para fora. **(Figure 9)** Remova o prego preso. **(Figure 10)** Volte a colocar a tampa frontal e aperte os parafusos.

### MANUTENÇÃO:

1. Enquanto a ferramenta estiver desligada do fornecimento de ar, faça a inspeção diária para se certificar do movimento livre do dispositivo de segurança e do gatilho.
2. Todos os parafusos devem ser mantidos apertados. **(Figure 2)**  
Os parafusos desapertados resulta numa operação insegura e em danos nas peças. Lubrifique ligeiramente, deitando 2 ou 3 gotas de óleo na entrada de ar.
3. Utilize apenas o óleo recomendado nas especificações técnicas. Mantenha a ferramenta limpa. Limpe-a regularmente com um pano seco, e inspeccione para ver se existe desgaste. Lubrifique ocasionalmente as peças deslizantes da cassete para evitar o desgaste.
4. Não utilize soluções de limpeza inflamáveis. Não ensope nem use solventes, pois essas soluções podem danificar os O-rings e outras peças sensíveis da ferramenta. Utilize ar limpo e seco. Utilize, preferencialmente, uma unidade de processamento de ar comprimido acima da ferramenta. As reparações que não as aqui descritas devem ser efectuadas apelas por pessoal treinado e qualificado, ou pelos serviços pós-venda do fabricante.

### LISTA DE PEÇAS DE REPOSIÇÃO

Siga a regulação local aquando o processo de fim de vida do produto.

### PMP171 Lista de peças de reposição (Figure 12)

Índice	Artigo N°	Descrição
A	5001346	Ajuste da válvula de cabeça, cilindro e êmbolo.
B	5001347	Gatilho em segurança.
C	5001348	Carregador



# PNEUMATISK SPIKPISTOL PMP171

## Bruksanvisning - översättning av den ursprungliga

SE

### TEKNISKA SPECIFIKATIONER

Verktygss- torlek	Höjd	190 mm
	Längd	230 mm
	Bredd	48 mm
	Vikt utan spik	0,95 kg
	Vikt med tyngsta spik	0,96 kg
Luftanslutning		1/4"
Högsta tillåtna driftstryck		8 bar
Driftstryck	Min.	5 bar
	Max.	7 bar
Avfyringssätt		Kontaktaktivering
Rekommenderade förband		Rapid 23P: 15 -> 35 mm
Spikdimensioner		Ø0,64mm - 23Ga
Laddningskapacitet		150
Rekommenderad pneumatisk olja		Hydraulolja ISO 46 eller motsvarande
	LpA, 1s, d	70,9 dB
	osäkerhet	2,5 dB
	LwA, 1s, d	83,9 dB
	osäkerhet	2,5 dB
Bullerinforma- tion (EN 12549:1999)	LpC, peak	109 dB
	osäkerhet	2,5 dB

Värdena är verktygsrelaterade egenskaper och representerar inte hur mycket buller som alstras vid användning. Buller när verktyget används kan exempelvis bero på arbetsmiljön, arbetsstycket, vilket stöd arbetsstycket har och antalet körningar. Arbetsplatsens utformning kan minska bullernivåerna, till exempel genom att arbetsstycket placeras på ljuddämpande underlag.

Vibrationsinformation (ISO 8662-11:1999)	Vibration	2,24 m/s <sup>2</sup>
	osäkerhet	0,332 m/s <sup>2</sup>

Värdet är en verktygsrelaterad egenskap och representerar inte hur händer och armar påverkas när verktyget används. Påverkan på händer och armar när verktyget används beror bland annat på gripkraften, kontaktryckskraften, arbetsriktningen, eltillförseln, arbetsstycket och arbetsstyckets stöd.

### SYMBOLER

Följande visar de symboler som används för verktyget. Se till att du förstår dess innebörd före användning.



Läs och förstå verktygets märkningar och manual. Om dess varningar inte följs kan det resultera i allvarlig skada.



Användare och andra personer i närheten ska bära stöttåliga skyddsglasögon med sidoskydd.



Användare och andra personer i närheten ska bära hörselskydd.



Verktyget kan användas med serieskottsvärfning.




Använd inte verktyget när du befinner dig på en trappstege, trappa, byggnadsställning, stege eller på stegliknande konstruktioner som t.ex. takstol, för att försluta lådor eller lårar, för att montera transportskydd på t.ex. fordon och lastvagnar.



Använd aldrig oxygen, koldioxid eller annan gas i gastuber som drivkälla till verktyget.

### ALLMÄNNA SÄKERHETSINSTRUKTIONER

- För personlig säkerhet och korrekt användande och underhåll av verktyget så läs denna bruksanvisning innan du använder verktyget.** 
- Spara alla varningar och instruktioner för framtida bruk.
- Verktyget är endast avsett för professionellt användande. Använd det inte för något annat ändamål. Det är inte tillverkat för att driva stift/dyckert/klammer direkt på en hård yta som stål eller betong.
- Användaren ska bedöma de specifika riskerna som kan uppstå vid varje användning.
- All annan användning förutom avsedd användning av detta verktyg är förbjuden. Dyckertpistoler med serieskottsvärfning får endast användas för produktionsapplikationer.
- Håll fingrarna borta från avtryckaren när maskinen inte används och när du byter från en arbetsplats till en annan.
- Flera risker. Läs och förstå säkerhetsinstruktionerna innan du ansluter, kopplar från, laddar, använder, underhåller, byter tillbehör på eller arbetar nära maskinen. Om du inte gör det kan det leda till allvarliga personskador.
- Håll alla kroppsdelar som händer och ben m.m. på avstånd från avfyrningsriktningen och se till att stift/dyckert/klammer inte kan tränga igenom arbetsstycket och in i kroppsdelar
- Tänk på att stift/dyckert/klammer kan vika av och

orsaka skada när maskinen används.

10. Håll maskinen med ett fast grepp och var redo på rekyler.
11. Endast tekniskt utbildade användare ska använda verktyget.
12. Modifiera inte verktyget. Modifieringar kan reducera säkerhetsanordningarnas effekt och öka risken för användaren och/eller personer i omgivningen.
13. Släng inte bruksanvisningen.
14. Använd inte verktyget om det har skadats.
15. Var försiktig när du hanterar stift/dyckert/klammer, särskilt vid laddning/urladdning eftersom de har vassa spetsar som kan orsaka skada.
16. Kontrollera alltid verktyget innan användning så det inte är skadat, felaktigt anslutet eller har slitna delar.
17. Översträck inte. Använd endast på en säker arbetsplats. Stå alltid stabilt och ha god balans hela tiden.
18. Håll personer i omgivningen på avstånd (vid arbete i ett område där det finns en risk för många personer i rörelse). Märk ut ditt arbetsområde på ett tydligt sätt.
19. Peka aldrig verktyget mot dig själv eller någon annan.
20. Håll inte fingret på avtryckaren när du tar upp verktyget, byter arbetsområde/position eller går eftersom detta kan leda till oavsiktlig användning. För verktyg med valbart avfyrningsläge måste du alltid kontrollera det innan användning för att säkerställa att korrekt läge är valt.
21. Bär endast handskar som ger adekvat känsla och säker hantering av avtryckare och eventuella justeringsenheter.
22. Lägg verktyget på en plan yta när du inte använder det. Om du använder verktygets krok, kroka fast den säkert på en stabil yta.
23. Använd inte verktyget under påverkan av alkohol, mediciner eller liknande.
24. Använd inte verktyget när du befinner dig på en trappstege, trappa, byggnadsställning, stege eller på steglignande konstruktioner som t.ex. takstol, för att försluta lådor eller lårar, för att montera transportskydd på t.ex. fordon och lastvagnar.

### Projektilrisker

1. Verktyget ska kopplas från när stift/dyckert/klammer laddas ur, justeringar utförs, stift som fastnat tas bort eller tillbehör byts ut.
2. Se vid användning till att stift/dyckert/klammer penetrerar materialet korrekt och inte kan avledas/felaktigt avfyras mot en användare och/eller omgivande personer.
3. Vid användning kan föremål från arbetsstycket och fastsättnings-/kollationssystemet avfyras.
4. Bär alltid skyddsglasögon för att skydda dina ögon från skada när du använder elverktyg. Skyddsglasögonen måste uppfylla ANSI Z87.1 i USA, EN 166 i Europa, eller AS/NZS 1336 i Australien/Nya Zeeland. I Australien/ Nya Zeeland måste man enligt lag även bära ansiktsskydd för att skydda ansiktet. Det är arbetsgivarens ansvar att se till att



- användare och övriga personer i det omedelbara arbetsområdet använder lämplig skyddsutrustning.
5. Riskerna för andra personer ska bedömas av användaren.
6. Var försiktig med verktyg utan kontaktelement eftersom de kan avfyras oavsiktligt och skada användaren och/eller omgivande personer.
7. Se till att verktyget alltid ligger på ett säkert sätt mot arbetsstycket och inte kan glida.
8. Använd hörselskydd och hjälm. Använd åtsittande, men bekväm klädsel. Armarna ska vara knäppta eller uppkavlade. Bär inte slips.



### Risker vid användning

1. Håll verktyget korrekt: var redo att motverka normala eller plötsliga rörelser, såsom rekyler.
2. Ha en balanserad kroppsposition och säkert fotfäste.
3. Lämpliga skyddsglasögon ska användas och lämpliga handskar samt skyddskläder rekommenderas.
4. Lämpliga hörselskydd ska användas.
5. Använd korrekt strömförsörjning enligt anvisningarna i bruksanvisningen.
6. Använd inte verktyget på rörliga plattformar eller baktill på lastbilar. En plötslig rörelse av plattformen kan leda till tappad kontroll och leda till skada.
7. Förutsätt alltid att verktyget är laddat.
8. Utför inte arbetet under stress och forcera inte verktyget. Hantera verktyget försiktigt.
9. Se till att alltid ha ordentligt fotfäste och god balans när du använder verktyget. Kontrollera att andra personer inte befinner sig under dig när du arbetar på hög höjd och säkerställ att tryckluftslangen inte utgör en olycksrisk.
10. På hustak och andra arbetsplatser på hög höjd ska du luta dig framåt medan du avfyrar verktyget. Det är lätt att förlora fotfästet om du lutar dig bakåt samtidigt som du avfyrar verktyget. Om du ska fästa vertikalt, arbeta då uppifrån och ned. Du blir mindre trött genom att göra på det sättet.
11. Om du är rävar avfyras ett stift/dyckert/klammer ovanpå ett annat eller i en kvist i träverket kan denna böjas eller fastna i verktyget. Stiftet/dyckerten/klammern kan även flyga iväg och träffa någon eller så kan verktyget i sig utgöra en olycksrisk. Var därför noggrann med vart du avfyrar verktyget.
12. Lämna inte ett laddat verktyg eller en trycksatt kompressor i direkt solljus under längre tid. Förvara verktyget på en plats där det inte riskerar att utsättas för damm, sand, spån eller andra partiklar.
13. Försök aldrig att avfyras stift/dyckert/klammer från insidan och utsidan samtidigt. De kan då skjutas igenom materialet och/eller flyga iväg och orsaka allvarlig fara.

### Risker vid repetitiva rörelser

1. När ett verktyg används under en lång tid kan användaren uppleva obehag i händer, armar, axlar, nacke eller andra delar av kroppen.
2. Vid användning av verktyget ska användaren ha en lämplig och ergonomisk hållning. Stå stadigt och undvik obekväma eller obalanserade ställningar.
3. Om användaren upplever symptom som ihållande

- eller återkommande obehag, pulserande smärta, värk, stickningar, domningar, brännande känsla eller stelhet bör dessa varningssignaler inte ignoreras. Användaren ska rådgöra med kvalificerad sjukvårdspersonal gällande övergripande aktiviteter.
- Att fortsätta använda maskinen kan orsaka förlitningsskador p.g.a. rekyl från maskinen.
  - För att undvika förlitningsskador ska användaren inte sträcka sig för långt eller använda onödig kraft. Dessutom ska användaren vila när den känner sig utmattad.
  - Utför en riskbedömning avseende risker för upprepade rörelser. Den ska fokusera på muskelskelettstörningar och vara företärdesvis baserad på antagandet att minskad utmattnings under arbetet är effektivt för att minska störningar.

#### Risker med tillbehör och förbrukningsartiklar

- Koppla från drivkraften från maskinen (luft, gas eller batteri) innan byte av tillbehör (som kontaktelement) eller justeringar utförs.
- Använd endast tillbehör av korrekt storlek och sort som levereras av tillverkaren.
- Använd det smörjmedel som rekommenderas i denna bruksanvisning.

#### Arbetsplatsrisker

- Några av de vanligaste olycksriskerna på en arbetsplats är att halka, snubbla och ramla. Var medveten om hala ytor som orsakas vid användning av maskinen samt om risken att snubbla över tryckluftsslanger.
- Lakttag extra försiktighet vid okända omgivningar. Dolda risker kan finnas, som elkablar eller andra rör/ledning.
- Detta verktyg är inte avsett för användning i explosiva områden och är inte isolerad från kontakt med elektricitet.
- Se till att det inte finns några elkablar, gasledning etc. som kan orsaka fara om de skadas av verktyget.
- Arbetsytan ska vara städad och ren samt väl upplyst. Belamrade bänkar och mörka ytor kan leda till olyckor.
- Följ även eventuella lokala föreskrifter om bullernivåer. Under vissa omständigheter kan bullerskärmar behöva användas.

#### Risker med damm och utblås

- Kontrollera alltid din omgivning. Luften som blåses ut från verktyget kan blåsa damm eller föremål som kan träffa användaren och/eller omgivande personer.
- Rikta mynningen så att damm yr så lite som möjligt i dammiga miljöer.
- Om damm eller andra föremål sprids i arbetsområdet ska spridningen minskas så mycket som möjligt för att minska hälso- och skaderiskerna.

#### Buller risker

- Oskyddad exponering mot höga ljud kan orsaka permanenta hörselskador samt andra problem, som tinnitus (ringande, surrande, visslande eller brummande i öronen).
- Utför en riskbedömning avseende bullerfaror på arbetsområdet och implementera lämpliga

kontroller av dessa faror.

- Lämpliga åtgärder för att minimera riskerna kan inkludera åtgärder som att använda ljuddämpande material för att förhindra att arbetsstyckena "ringer".
- Använd lämpliga hörselskydd.
- Använd och underhåll verktyget enligt rekommendationerna i dessa instruktioner för att förhindra onödig ökning av bullernivåer.
- Genomför bullerdämpande åtgärder som att t.ex. placera arbetsstyckena på ljuddämpande underlag.

#### Vibrationsrisker

- Vibrationerna vid användning beror på greppkraft, kontaktryck, arbetsriktning, justering av energimatning, arbetsstycket och arbetsstyckets stöd. Utför en riskbedömning avseende vibrationsfaror på arbetsområdet och implementera lämpliga kontroller av dessa faror.
- Att utsättas för vibrationer kan orsaka skador på nerver och blodtillförsel i händer och armar.
- Bär varma kläder vid arbete i kalla miljöer och håll händerna varma och torra.
- Om du upplever domningar, stickningar, smärta eller vitaktiga fingrar/händer, rådgör med läkare omedelbart gällande dessa aktiviteter.
- Använd och underhåll verktyget enligt rekommendationerna i dessa instruktioner för att förhindra onödig ökning av vibrationsnivåer.
- Håll verktyget med ett lätt men säkert grepp eftersom risken för vibrationer i allmänhet är högre när greppkraften är högre.

#### Ytterligare varningar för tryckluftsvrtyg

- Tryckluft kan orsaka allvarliga skador.
- Stäng alltid av lufttillförseln och koppla bort verktyget från tryckluftsmatningen när det inte används.
- Koppla alltid bort verktyget från tryckluftsmatningen innan byte av tillbehör, justeringar och/eller reparationer eller vid byte av arbetsplats.
- Håll fingrarna borta från avtryckaren när verktyget inte används och när du byter från en arbetsplats till en annan.
- Rikta aldrig tryckluft mot dig själv eller någon annan.
- Slängande slangar kan orsaka allvarliga skador. Kontrollera alltid slangar/kopplingar så de inte är skadade eller lösa.
- Bär aldrig ett tryckluftsvrtyg i dess slang.
- Dra aldrig ett tryckluftsvrtyg i dess slang.
- Vid arbete med tryckluftsvrtyg får högsta arbetsstrycket aldrig överskridas.
- Tryckluftsvrtyg får endast matas med tryckluft med lägsta möjliga tryck som krävs för arbetsprocessen för att reducera buller och vibrationer, samt minimera slitaget.
- Att använda oxygen eller brandfarliga gaser för att driva tryckluftsvrtyg skapar en brand- och explosionsrisk.
- Var försiktig när du använder tryckluftsvrtyg eftersom de kan bli kalla, vilket påverkar grepp och kontroll.



#### Ytterligare varningar för verktyg med kontaktavfyringsförmåga

- Håll inte ditt finger på avtryckaren när du plockar upp verktyget, byter position eller förlämnar dig mellan arbetsplatser eftersom ett finger på avtryckaren kan innebära oavsiktligt användande.
- Om den här maskinen har antingen selektivt aktiveringsläge för kontaktaktivering eller kontinuerlig kontaktaktivering med aktiveringslägesväljare, eller det är en kontaktaktivering eller kontinuerlig kontaktaktiveringsmaskin, t.ex. är markerad med ovanstående symbol dess avsedda användning är för produktionsändamål såsom till exempel. pallar, möbler, prefabricerade hus, klädsel och klädsel.
- Använd inte maskinen vid kontaktaktivering för ändamål som att stänga lådor eller lådor och montering av transportsäkerhetssystem på trailers och lastbilar.
- Varning om att verktyget endast ska användas på säkra arbetsplatser.
- Var försiktig när du byter från en arbetsplats till en annan.



### LADDA

- Koppla bort verktyget från tryckluften. **(Figure 3)**
- Lösa magasinet genom att trycka på frigöringsknappen. **(Figure 4)**
- Ladda spik: Håll spikpistolen nedåt och ladda ett spikband i kassetten med spetsarna nedåt. **(Figure 5)** Tryck på skenan tills den klickar på plats. **(Figure 6)**
- Använd bara rekommenderade förband (se de tekniska specifikationerna).
- Verktyget och de stift/dyckert/klammer som specificeras i bruksanvisningen ska betraktas som en enhets säkerhetssystem.

### ANVÄNDA VERKTYGET

- Håll verktyget på så sätt att det pekar bort från dig och andra personer och anslut det sedan till tryckluften. **(Figure 1)**
- Verktygen ska användas med ett tryck som är så lågt som möjligt för den aktuella användningen. Det gör att bullret, slitaget och energianvändningen minskar.
- Tryck verktygets nos mot arbetsstycket och tryck på avtryckaren när du vill skjuta ut förband. **(Figure 7)** Ställ in det lägsta trycket som är nödvändigt för att förbandet ska fästa. Gör några test och börja med det lägsta trycket.
- Kontrollera ifall stiftet/dyckerten/klammern har drivits in i arbetsstycket enligt kraven.
  - om stiftet/dyckerten/klammern sticker ut, öka lufttrycket i steg om 0,5 bar. Kolla resultatet efter varje ny inställning.
  - om stiftet/dyckerten/klammern har drivits för djupt, minska lufttrycket i steg om 0,5 bar tills resultatet är tillfredsställande.
- Du bör alltid sträva efter att arbeta med det lägsta möjliga lufttrycket.
- Under arbetets gång ska verktyget hållas på ett sådant sätt att man undviker skador på huvudet eller kroppen vid en eventuell reky som kan uppstå på grund av störningar i strömtilförseln eller hårda

områden i arbetsstycket.

- Verktyget ska kopplas bort från tryckluftssystemet vid transport. Särskilt när stegar används eller när man rör sig med en onormal kroppshållning.
- På arbetsplatsen ska verktyget bäras i handtaget och aldrig med avtryckaren intryckt.
- Ta hänsyn till arbetsplatsens förhållanden. Stift/dyckert/klammer kan tränga igenom tunna arbetsstycken eller glida av hömen och kanterna på arbetsstyckena och därmed riskera att sätta människor i fara.
- För personlig säkerhet, använd skyddsutrustning såsom hörselskydd och skyddsglasögon.
- Avtryckaren och säkerhetsspärren måste tryckas in för varje gång verktyget avfyras. För utrustning är det tillräckligt om avtryckaren förblir intryckt och säkerhetsspärren trycks in på nytt eller vice versa.
- Undvik att avfira verktyget om magasinet är tomt.
- Defekta eller felaktigt fungerande verktyg måste omedelbart kopplas bort från tryckluftskompressorn och skickas till en specialist för undersökning.
- Vid längre uppehåll i arbetet eller i slutet av arbetspasset ska verktyget kopplas bort från kompressorn och det rekommenderas att man även tömmer magasinet.
- Tryckluftskopplingarna till verktyget och slangarna ska skyddas mot kontaminering. Om det kommer in grovt damm, flis, sand etc. kan det resultera i läckage och skador på verktyget och dess kopplingar.

### TRYCKLUFTSSYSTEM

- För att fungera korrekt kräver fästverktyget filtrerad, torr < och smord > tryckluft i lämpliga mängder. **(Figure 11)**
- Om lufttrycket i systemet överstiger det maximalt tillåtna trycket för verktyget måste en tryckreduceringsventil med en säkerhetsventil i utloppet installeras i tryckluftssystemet.
- Anslut verktyget till kompressorn med passande tryckslang försedd med snabbkopplingar. **(Figure 1)**
- Luftkompressorn måste kunna upprätthålla ett tillräckligt luftflöde och arbetstryck för den förväntade förbrukningen. För klena ledningar (rör och slangar) samt överbelastning av kompressorn kommer att leda till tryckfall.
- Permanent liggande tryckluftsledningar ska ha en invändig diameter på minst 19 mm och en motsvarande större diameter där relativt långa ledningar eller flera användare är inblandade.
- Tryckluftsledningar bör läggas så att det bildas en lutning (högsta punkten i riktning mot kompressorn). Lättåtkomliga vattenavskiljare ska installeras vid de lägsta punkterna.
- Användarnas kopplingar ska anslutas till ledningarna ovanifrån.
- Anslutningspunkten för verktyget ska vara utrustad med en tryckluftsserviceenhet (filter/vattenavskiljare/olja) direkt vid kopplingen.
- Dimsmörjare ska kontrolleras dagligen och fyllas på vid behov med rekommenderad olja (se TEKNISKA DATA). Om slangar längre än 10 m används kan oljetillförseln till verktyget inte garanteras. Därför

rekommanderer vi att 2–5 droppar (beroende på verktygets belastning) av rekommenderad olja (se TEKNISKA DATA) tillsätts via verktygets luftintag eller en dimsörjbehållare ansluten direkt till verktyget.

### FELSÖKNING OCH UNDERHÅLL

1. Om förband fastnar i verktyget kopplar du bort verktyget från tryckluften. **(Figure 3)**
2. Lossa magasinet och dra skenan bakåt. **(Figure 8)** Ta bort det som har fastnat.
3. Eller lossa de två skruvarna i fronten och dra ut det. **(Figure 9)** Ta bort det fastklämda stiftet. **(Figure 10)** Sätt tillbaka frontskyddet och dra åt skruvarna.

### UNDERHÅLL:

1. Undersök dagligen att avtryckaren och säkerhetsrelät kan röras fritt. Verktyget ska under tiden vara bortkopplat från tryckluften.
2. Alla skruvar ska sitta fast. **(Figure 2)** Lösa skruvar kan resultera i osäker drift och att delar går sönder. Droppa försiktigt två eller tre droppar olja i luftintaget.
3. Använd bara olja som rekommenderas i de tekniska specifikationerna. Håll verktyget rent. Torka regelbundet av det med en torr trasa och titta

efter slitage. Smörj de rörliga delarna i magasinet regelbundet för att förhindra slitage.

4. Använd inte brandfarliga rengöringsvätskor. Blöt inte ned verktyget och använd inte lösningsmedel eftersom det kan skada o-ringarna och andra känsliga delar. Använd ren, torr luft. Använd om möjligt en kompressor uppströms från anslutningen till verktyget. Andra reparationer än de som beskrivs här ska bara utföras av utbildad personal eller av tillverkarens servicepersonal.

### RESERVEDELSLISTA

Följ lokala föreskrifter vid avfallshantering av verktyget.

### PMP171 Reservdelslista (Figure 12)

Index	Artnr.	Beskrivning
A	5001346	Huvudventil-, cylinder- och kolvset
B	5001347	Säkerhets- och avtryckarset
C	5001348	Magasinsset

## TRYKLUFTPISTOL PMP171

### Betjeningsvejledning - oversættelse af den oprindelige

DK

### TEKNISK SPECIFIKATION

Værktøjsmål	Højde	190 mm
	Længde	230 mm
	Bredde	48 mm
	Vægt uden søm	0,95 kg
	Vægt med de tungest søm	0,96 kg
Luftindtag		1/4"
Maks. tilladte driftstryk		8 bar
Driftstryk	Min.	5 bar
	Maks.	7 bar
Aktiveringssystem		Kontakt aktivering
Anbefalet befæstigelse		Rapid 23P: 15 -> 35 mm
Søm dimensioner		Ø0,64mm - 23Ga
Påfyldningskapacitet		150
Anbefalet pneumatikolie		Hydraulik olie ISO 46 eller tilsvarende
Støjoplysninger (EN 12549:1999)	LpA, 1s, d	70,9 dB
	usikkerhed	2,5 dB
	LwA, 1s, d	83,9 dB
	usikkerhed	2,5 dB
	LpC, peak	109 dB
usikkerhed	2,5 dB	

Disse værdier er værktøjsgenererede, karakteristiske værdier, og repræsenterer ikke støjgenerering på anvendelsesstedet. Støj på anvendelsesstedet afhænger f.eks. af arbejdsomgivelserne, arbejdsområdet, understøttelsen af arbejdsområdet og antallet af monteringspunkter. Arbejdsstedets udformning kan også medvirke til at reducere støjniveauet, f.eks. ved at placere arbejdsområdet på et lyddæmpende underlag.

Vibrationsoplysninger (ISO 8662-11:1999)	Vibration	2,24 m/s <sup>2</sup>
		usikkerhed

Denne værdi er en værktøjsrelateret, karakteristisk værdi, og den repræsenterer ikke påvirkningen af hånd-arm-systemet ved anvendelse af værktøjet. Enhver påvirkning af hånd-arm-systemet ved anvendelse af værktøjet afhænger f.eks. af gribestyrken, monteringsstrykkraften, arbejdsretningen, justering af energitilførsel, arbejdsområdet og understøttelsen af arbejdsområdet.

### SYMBOLER

Følgende viser de symboler, der anvendes til udstyret. Sørg for, at du forstår deres betydning før brugen.



Læs og forstå værktøjetiketter og manual. Manglende overholdelse af advarsler kan medføre alvorlig personskade.



Brugere og andre i nærheden skal bruge  
briller eller visir



Brugere og andre i nærheden skal bruge  
høreværn



Værktøjet fungerer når kontakten er aktiv




Brug ikke dette værktøj til opgaver såsom  
fremstilling af tremmekasser og lukning  
af kasser, og montering af transport  
sikkerhedsstymer på lastbiler og trailer.




Anvend aldrig oxygen, kuldioxid eller andre  
former for gas på flasker som drivmiddel for  
værktøjet.

## GENERELLE SIKKERHEDSADVARSLER

- For personlig sikkerhed og korrekt betjening og vedligeholdelse af værktøjet skal du læse denne brugsanvisning, før du bruger værktøjet.** 
- Gem alle advarsler og instruktioner til fremtidig reference
- Værktøjet er kun beregnet til professionel anvendelse. Brug ikke det til andet formål. Det er ikke designet til at drive fastgørelsesmidler direkte på en hård overflade som stål og beton.
- Brugeren skal vurdere de specifikke risici, der er til stede som et resultat af hver brug.
- Al anden brug end den tilsigtede brug er forbudt. Maskiner til idrivning af fastgørelsesmidler med kontinuerlig kontaktaktivering eller kontaktaktivering må kun bruges til produktionsformål.
- Hold fingrene på afstand af udløseren, når maskinen ikke bruges, og når den flyttes fra ét arbejdssted til et andet.
- Flere risici. Du skal læse og forstå sikkerhedsinstruktionerne, før du tilslutter, frakobler, isætter, betjener, vedligeholder, skifter tilbehør på eller arbejder i nærheden af maskinen. Hvis du ikke overholder dette, kan det resultere i alvorlig legemsbeskadigelse.
- Hold alle kropsdele som f.eks. hænder og ben osv. væk fra affyringsretningen, og sørg for, at fastgørelsesmidler ikke kan trænge igennem arbejdsemnet og ind i dele af kroppen.
- Ved brug af maskinen skal du være opmærksom på, at fastgørelsesmidlet kan blive slynget tilbage og forårsage personskade.
- Hold maskinen med et fast greb, og vær forberedt på

at håndtere tilbageslag.

- Kun teknisk uddannede operatører må bruge maskinen til idrivning af fastgørelsesmidler.
- Undlad at ændre maskinen til idrivning af fastgørelsesmidler. Ændringer kan reducere sikkerhedsforanstaltningernes effektivitet og øge risikoen for operatøren og/eller omkringstående.
- Undlad at smide brugsanvisningen væk.
- Undlad at bruge en maskine, hvis maskinen er beskadiget.
- Vær forsigtig ved håndtering af fastgørelsesmidler, især i forbindelse med indsætning og fjernelse, da fastgørelsesmidler har skarpe spidser, som kan forårsage personskade.
- Kontroller altid maskinen før brug for knækkede, forkert tilkoblede eller slidte dele.
- Stræk dig ikke for langt. Brug kun på et sikkert arbejdssted. Oprethold til enhver tid sikkert fodfæste og balance.
- Hold omkringstående på afstand (ved arbejde på et sted, hvor det er sandsynligt, at personer vil færdes). Afmærk brugsområdet tydeligt.
- Ret aldrig maskinen mod dig selv eller andre.
- Lad ikke fingeren hvile på udløseren, når du tager maskinen op, flytter dig mellem arbejdsområder og positioner eller går, da en finger på udløseren kan medføre utilsigtet funktion. For maskiner med selektiv aktiveringstilstand skal du altid kontrollere maskinen før brugen for at sikre dig, at den korrekte tilstand er valgt.
- Bær kun handsker, der giver tilstrækkelig følelse og sikker kontrol med udløser og andre justeringsmekanismer.
- Læg maskinen på en flad overflade, når den ikke bruges. Hvis du bruger den krog, der følger med maskinen, skal du fastgøre maskinen forsvarligt på den stabile overflade.
- Undlad brug, hvis du er påvirket af alkohol, narkotika eller lignende.
- Brug ikke dette værktøj til opgaver såsom fremstilling af tremmekasser og lukning af kasser, og montering af transport sikkerhedsstymer på lastbiler og trailer. 

### Risici i forbindelse med projektiler

- Maskinen til idrivning af fastgørelsesmidler skal være taget ud af forbindelse, når du tager fastgørelsesmidler ud, foretager justeringer, fjerner fastklemte emner eller skifter tilbehør.
- Under brugen skal du sørge omhyggeligt for, at fastgørelsesmidler trænger korrekt ind i materialet, og at de ikke kan slynge tilbage eller affyres utilsigtet mod operatøren og/eller eventuelle omkringstående.
- Under brugen kan der frigøres rester fra arbejdsemnet og fastgørelses-/ sorteringssystemet.
- Bær altid beskyttelsesbriller for at beskytte dine øjne mod skader, når du bruger maskiner. Beskyttelsesbrillerne skal overholde ANSI Z87.1 i USA, EN 166 

i Europa eller AS/NZS 1336 i Australien/New Zealand. I Australien/New Zealand er det desuden påbudt ved lov at bære ansigtsskærm for at beskytte dit ansigt. Det er arbejdsgiverens ansvar at påbyde brugerne af maskinen samt andre personer i det umiddelbare arbejdsområde at bære passende sikkerhedsbeskyttelsesudstyr.

5. Brugeren skal vurdere risikoen for andre.
6. Vær forsigtig med maskiner uden kontakt med arbejdsemnet, da de kan udløses utilsigtet og skade brugeren og/eller omkringstående.
7. Sørg for, at maskinen altid har sikker kontakt med arbejdsemnet, og at den ikke kan glide.
8. Brug høreværn for at beskytte dine ører mod udstødningsstøj og som hovedværn. Bær også let, men ikke løst tøj. Ærmer skal være knappet eller rullet op. Undlad at bære halstørklæde.



### Risici ved brug

1. Hold maskinen korrekt: Vær klar til at imødegå normale eller pludselige bevægelser som f.eks. tilbageslag.
2. Oprethold en velafbalanceret kropstilling og sikkert fodfæste.
3. Der skal benyttes passende sikkerhedsbriller, og passende handsker og beskyttelsestøj anbefales.
4. Der skal bæres passende høreværn.
5. Anvend kun den korrekte energiforsyning som angivet i brugsanvisningen.
6. Anvend ikke maskinen på bevægelige platforme eller bag på lastbiler. Hvis platformen bevæger sig pludseligt, kan det medføre tab af kontrollen med maskinen og forårsage personskade.
7. Gå altid ud fra, at der er fastgøringsmidler i maskinen.
8. Undlad at arbejde for hurtigt eller at bruge magt på maskinen. Håndter maskinen forsigtigt.
9. Vær opmærksom på dit fodfæste, og hold balancen, når du bruger maskinen. Sørg for, at der ikke står nogen under dig, når du arbejder på højtliggende steder, og fastgør luftslangen for at undgå fare, hvis der er pludselige ryk, eller den sætter sig fast.
10. På tage og andre højtliggende steder skal du drive fastgøringsmidler, efterhånden som du arbejder dig fremad. Det er let at miste fodfæstet, hvis du driver fastgøringsmidler, mens du kryber baglæns. Ved drivning af fastgøringsmidler mod en lodret flade skal du arbejde fra toppen mod bunden. Du bliver mindre træt under udførelsen af divarbejdet ved at gøre dette.
11. Et fastgøringsmiddel kan bøjes, eller der kan opstå stop i maskinen, hvis De ved en fejltagelse driver et fastgøringsmiddel oven i et andet fastgøringsmiddel eller rammer en knude i træet. Fastgøringsmidlet kan slynges ud og ramme personer, eller selve maskinen kan reagere på farlig vis. Placer fastgøringsmidlerne omhyggeligt.
12. Lad ikke maskinen ligge med isatte fastgøringsmidler eller luftkompressoren stå under tryk i længere tid i solen. Sørg for, at støv, sand, spåner og

fremmedlegemer ikke kommer ind i maskinen på det sted, hvor du efterlader den.

13. Forsøg aldrig at drive fastgøringsmidler fra både indersiden og ydersiden på samme tid. Fastgøringsmidler kan gå igennem og/eller flyve væk og forårsage alvorlig fare.

### Risici i forbindelse med gentagne bevægelser

1. Ved brug af en maskine i længere tidsrum kan brugeren opleve ubehag i hænderne, armene, skuldrene, nakken eller andre dele af kroppen.
2. Ved brug af en maskine skal brugeren indtage en passende, men ergonomisk stilling. Oprethold sikkert fodfæste, og undgå akavede stillinger eller stillinger, hvor du er ude af balance.
3. Hvis brugeren oplever symptomer som vedvarende eller gentagen ubehag, smerte, dunken, ømhed, prikken, følelsesløshed, brændende fornemmelse eller stivhed, må disse advarselstegn ikke ignoreres. Brugeren skal konsultere en kvalificeret sundhedsspecialist vedrørende de overordnede aktiviteter.
4. Kontinuerlig brug af maskinen kan forårsage gentagen belastningsskade på grund af det tilbageslag, som maskinen udvikler.
5. For at undgå gentagen belastningsskade må brugeren ikke strække sig for langt eller bruge overdreven magt. Brugeren skal desuden tage et hvil, når han eller hun føler sig træt.
6. Foretag en risikovurdering vedrørende risici i forbindelse med gentagne bevægelser. Den bør fokusere på muskel- og skeletlidelser og fortrinsvis være baseret på den antagelse, at reduktion af træthed under arbejdet er effektiv for at reducere lidelser.

### Risici i forbindelse med tilbehør og forbrugsstoffer

1. Frakobl energiforsyningen til maskinen, for eksempel luft eller gas eller batteri, afhængigt af hvad der er relevant, før du skifter/udsifter tilbehør som f.eks. kontakt med arbejdsemnet eller foretager justeringer.
2. Brug kun de størrelser og typer af tilbehør, som producenten leverer.
3. Brug kun de smøremidler, der anbefales i denne brugsvejledning.

### Risici i forbindelse med arbejdsstedet

1. Glid, snublen og fald er hyppige årsager til personskader på arbejdspladsen. Vær opmærksom på glatte overflader, der fremkommer ved brugen af maskinen, og også på snublefarer på grund af luftslangen.
2. Vær ekstra forsigtig i uvante omgivelser. Der kan være skjulte farer, for eksempel elledninger eller andre forsyningsledninger.
3. Denne maskine er ikke beregnet til brug i potentielt eksplosive atmosfærer, og den er ikke isoleret, hvis den kommer i kontakt med elektrisk strøm.
4. Sørg for, at der ikke er nogen elledninger, gasrør osv., der kan udgøre en fare, hvis de beskadiges ved brug af maskinen.

5. Hold arbejdsområdet rent og veloplyst. Rodede eller mørke områder forårsager ulykker.
6. Der kan være lokale regler for støj, som skal overholdes ved at holde støjniveauet inden for de foreskrevne grænser. I nogle tilfælde skal der benyttes skodder for at holde støj inde.

### Risici i forbindelse med støv og udstødning

1. Kontroller altid dine omgivelser. Den luft, der kommer ud af maskinen, kan blæse støv eller genstande, som kan ramme brugeren og/ eller omkringstående.
2. Ret udstødningen, så forstyrrelsen af støv i støvfyldte omgivelser minimeres.
3. Hvis støv eller genstande slynges ud i arbejdsområdet, skal du reducere emissionen så meget som muligt for at reducere sundhedsrisici og risiko for personskade.

### Risici i forbindelse med støj

1. Ubeskyttet udsættelse for høje støjniveauer kan forårsage permanent, invaliderende tab af hørelsen og andre problemer som f.eks. tinnitus (ringen, summen, fløjten eller brummen i ørerne).
2. Foretag en risikovurdering vedrørende risici i forbindelse med støj i arbejdsområdet, og træf passende forholdsregler vedrørende disse risici.
3. Passende kontroller for at mindske risikoen kan omfatte foranstaltninger som f.eks. dæmpende materialer for at forhindre arbejdssemner i at "ringe".
4. Anvend passende høreværn.
5. Betjen og vedligehold maskinen som anbefalet i disse instruktioner for at forhindre unødigt forøgelse af støjniveauet.
6. Træf forholdsregler for at reducere støj, for eksempel ved at placere arbejdssemner på lydæmpende tætter.

### Risici i forbindelse med vibrationer

1. Vibrationsafgivelsen under brug afhænger af gribekraften, kontaktrykkraften, arbejdsretningen, justeringen af energiforsyningen, arbejdssemnet og understøttelsen af arbejdssemnet. Foretag en risikovurdering vedrørende risici i forbindelse med vibration, og træf passende forholdsregler vedrørende disse risici.
2. Udsættelse for vibration kan forårsage invaliderende skader på nerverne og blodforsyningen til hænderne og armene.
3. Bær varmt tøj, når du arbejder i kolde omgivelser, så du holder hænderne varme og tørre.
4. Hvis du oplever følelsesløshed, prikken, smerte, eller at huden på fingrene eller hænderne bliver bleg, skal du søge medicinsk rådgivning fra en kvalificeret professionel sundhedsspecialist vedrørende dine overordnede aktiviteter.
5. Betjen og vedligehold maskinen som anbefalet i disse instruktioner for at forhindre unødigt forøgelse af vibrationsniveauet.
6. Hold maskinen med et let, men sikkert greb, da risikoen for vibration generelt er større, når gribekraften er stærkere.

### Yderligere advarsler for trykluftmaskiner

1. Komprimeret luft kan forårsage alvorlig personskade.
2. Sluk altid for luftforsyningen, og tag maskinen ud af forbindelse med luftforsyningen, når den ikke er i brug.
3. Afbryd altid maskinen fra den komprimerede luftforsyning, før du skifter tilbehør, foretager justeringer og/eller reparationer, når du flytter fra ét arbejdsområde til et andet område.
4. Hold fingrene på afstand af udløseren, når maskinen ikke bruges, og når den flyttes fra ét arbejdssted til et andet.
5. Ret aldrig komprimeret luft mod dig selv eller andre.
6. Piskende slanger kan forårsage alvorlig personskade. Kontroller altid for beskadigede eller løse slanger eller fittings.
7. Bær aldrig en trykluftmaskine i slangen.
8. Træk aldrig en trykluftmaskine i slangen.
9. Ved brug af trykluftmaskiner må du ikke overskride det maksimale driftstryk ps max.
10. Trykluftmaskiner må kun drives af komprimeret luft ved det laveste tryk, der er nødvendigt for arbejdsprocessen, for at reducere støj og vibration og minimere slidet.
11. Brug af ilt eller brandbare gasser til drift af trykluftmaskiner udgør en brand- og eksplosionsfare.
12. Vær forsigtig ved brug af trykluftmaskiner, da maskinen kan blive kold, hvilket påvirker grebet og styringen.



### Yderligere advarsler for maskiner med funktion til kontaktaktivering

1. Lad ikke fingrene hvile på afbryderen, når du tager maskinen op, flytter dig mellem arbejdsområder og positioner eller går, da en finger på afbryderen kan medføre utilsigtet funktion.
2. Hvis denne maskine har selektiv betjening til kontakt aktivering. Eller den er kontinuerlig aktiveringskontakt værktøj, er markeret med et symbol på siden. Produktois opgaver, paller, møbler, polstring, beklædning, præfabricerede huse.
3. Brug ikke dette værktøj til opgaver såsom fremstilling af tremmekasser og lukning af kasser, og montering af transport sikkerhedsstyrer på lastbiler og trailer.
4. Advarsel om, at værktøjet kun skal bruges på et sikkert arbejdssted.
5. Vær forsigtig, når du skifter fra en arbejdsplads til en anden.



### PÅFYLDNING

1. Adskil værktøjet fra lufttilførslen. (Figure 3)
2. Frigør magasinet ved trykke på klikhåndtaget. (Figure 4)
3. Påfyldning af dykkere: Hold trykluftpistolen nedad og påfyld en bane med dykkere i patronen med



- spidserne pegende nedad. **(Figure 5)** Skub skinnen, indtil den klikker på plads. **(Figure 6)**
- Anvend kun den anbefalede befæstigelse (se tekniske specifikationer).
  - Værktøjet og fastgørelsesorganerne er angivet i betjeningsvejledningen skal betragtes som én enhed sikkerhedssystem.

### ANVENDELSE AF VÆRKTØJET

- Hold værktøjet, så det peger væk fra dig selv og andre, og tilslut værktøjet til lufttilførslen. **(Figure 1)**
- Værktøjet skal betjenes med det laveste tryk, der kræves for anvendelsen. Dette vil reducere støjniveauet, slitage på dele og energiforbruget.
- Tryk værktøjets næse ned mod det arbejdsemne, der skal fastgøres, og tryk på aftrækkeren for at affyre klammer. **(Figure 7)**  
Justér til det minimale tryk, der kræves, for at befæstigelsen kan gennemtrænge emnet. Foretag derefter nogle test, der starter med det laveste tryk.
- Kontroller, om fastgørelsesorganet er blevet kørt ind i emnet i overensstemmelse med kravene.
  - Hvis fastgørelsesorganet stikker ud, skal du øge lufttrykket i trin på 0,5 bar og kontrollere resultatet efter hver nye justering;
  - Hvis fastgørelsesorganet køres i en overdreven dybde, reducer lufttrykket i trin på 0,5 bar, indtil resultatet er tilfredsstillende.
- Du skal under alle omstændigheder bestræbe dig på at arbejde med det lavest mulige lufttryk.
- Hold værktøjet under arbejdsopgaven på en sådan måde, at der ikke kan forekomme personskader på hovedet eller kroppen, i tilfælde af en eventuel rekyl som følge af en forstyrrelse i energiforsyningen eller hårde områder i emnet.
- Værktøjet skal frakobles trykluftsystemet ved transport, især når der anvendes stiger, eller hvor der anvendes en usædvanlig fysisk holdning under bevægelse.
- Bær fastgørelsesdrevet værktøj på arbejdspladsen ved kun at bruge håndtaget og aldrig med den aktiverede udløser.
- Tag forholdene på arbejdspladsen i betragtning. Fastgørelsesmidler kan trænge igennem tynde arbejdsemner eller glide hjørner og kanter af arbejdsemner og udsætte folk for far.
- Brug personligt beskyttelsesudstyr såsom høre- og øjenbeskyttelse til personlig sikkerhed.
- Kontakt og sikkerhedskontakt skal aktiveres for hver skud, idet rækkefølgen af aktivering ikke er specificeret. Ved gentagne skud er det tilstrækkeligt, hvis enten udløseren forbliver aktiveret, og sikkerhedskontakt aktiveres derefter, eller omvendt.
- Undgå at udløse værktøjet, hvis magasinet er tomt.
- Ethvert defekt eller forkert fungerende værktøj skal straks afbrydes fra tryklufforsyningen og sendes til en specialist for inspektion.
- I tilfælde af længere pauser i arbejdet eller ved

afslutningen af arbejds skiftet skal du afbryde værktøjet fra tryklufforsyningen, og det anbefales at tømme magasinet.

- Tryklufforbindelserne til værktøjet og slangerne skal beskyttes mod forurening. Indtrængning af groft støv, flis, sand osv. Vil resultere i lækager og skader på værktøjet og koblingerne.

### KOMPRESSERET LUFTSYSTEM

- Korrekt funktion af fastgørelsesdrevet værktøj kræver filteret, tør <og smurt> komprimeret luft i passende mængder. **(Figure 11)**
- Hvis lufttrykket i ledningssystemet overstiger det maksimale tilladte tryk på fastgørelsesdrevet, skal der desuden monteres en trykreducerende ventil efterfulgt af en nedstrøms sikkerhedsventil i forsyningsledningen til værktøjet.
- Tilslut fastgørelsesdrivværktøjet til tryklufforsyningen ved hjælp af en passende trykslange udstyret med quick-grip fatning. **(Figure 1)**
- Kompressor anlægget skal være tilstrækkeligt dimensioneret med hensyn til trykkudgang og ydeevne (volumetrisk strøm) til det forventede forbrug. Linjesektioner, der er for lille i forhold til linjens længde (rør og slanger) samt overbelastning af kompressoren, vil resultere i trykfald.
- Permanente monterede rørledninger til trykluft skal have en indvendig diameter på mindst 19 mm og en tilsvarende stor diameter, hvor relativt lange rørledninger eller flere brugere er involveret.
- Trykluftledninger skal lægges for at danne en gradient (højeste punkt i retningen mod kompressoren). Let tilgængelige vandudskillere skal installeres på de laveste punkter.
- Kryds til brugere skal forbindes til rørledningerne ovenfra.
- Forbindelsespunkter til fastgørelsesdrevet værktøj skal være udstyret med en tryklufforsyningsenhed (filter / vandudskillere / olie) direkte ved krydset.
- Oilers skal kontrolleres dagligt og om nødvendigt fyldes med den anbefalede kvalitet af olie (se TEKNISKE DATA). Hvor der anvendes slangelængder på over 10 m, kan olietilførslen til fastgørelsesdrevet ikke garanteres. Vi anbefaler derfor, at 2 til 5 dråber (afhængigt af belastningen af fastgørelsesdrevet værktøj) af den anbefalede olie (se TEKNISKE DATA) tilføjes via værktøjets luftindtag eller en olier monteret direkte på fastgørelsesdrevet.

### FEJLFINDING OG VEDLIGEHOLDELSE

- Hvis der opstår en blokering af klammer, skal værktøjet adskilles fra lufttilførslen. **(Figure 3)**
- Frigør magasinet og før skinnen bagud. **(Figure 8)** Fjern de blokerede befæstigelser.

3. Eller slip de to skruer på frontdækslet og træk det ud. **(Figure 9)** Fjern det fastklemte projektil. **(Figure 10)** Udskift frontdækslet og stram skruerne.

#### VEDLIGEHOLDELSE:

1. Mens værktøjet er adskilt fra lufttilførslen foretages den daglige inspektion for at sikre frigang af sikkerhedskrave og aftrækker.
2. Alle skruer skal være fastspændte. **(Figure 2)** Løse skruer resulterer i usikker betjening og brud på dele. Sprøjt en smule olie, 2 eller 3 dråber, ind i luftindtaget.
3. Anvend kun den anbefalede olie, der har de tekniske specifikationer. Hold værktøjet rengjort. Tør det regelmæssigt af med en klud og kontrollér for slitage. Smør de bevægelige dele på magasinet regelmæssigt for at undgå slitage.
4. Anvend ikke brændbare rengøringsopløsninger. Anvend ikke opløsninger, da sådanne opløsninger kan

beskadige O-ringe og andre følsomme værktøjsdele. Anvend ren, tør luft. Om muligt bør der anvendes en procesenhed til trykluft, der er placeret før værktøjstilslutningen. Andre reparationer, end de der er beskrevet her, må kun udføres af uddannet, kvalificeret personale eller af producentens serviceteknikere.

#### LISTE OVER RESERVEDELE

Følg de lokale regler, når værktøjet skal bortskaffes.

#### PMP171 Liste over Reservedele (Figure 12)

Indeks	art.nr.	beskrivelse
A	5001346	Hovedventil, cylindere og stempel sæt
B	5001347	Sikkerhed og udløsesæt
C	5001348	Magasin sæt

## SPIKERPISTOL MED TRYKKLUFT PMP171

### Instruksjoner for bruk - oversettelse av den opprinnelige

NO

#### TEKNISKE SPESIFIKASJONER

Værktøystørrelse	Høyde	190 mm
	Lengde	230 mm
	Bredde	48 mm
	Vekt uten spiker	0,95 kg
	Vekt med tyngste spiker	0,96 kg
Luftinntak		1/4"
Maks tillådt driftstrykk		8 bar
Driftstrykk	Min	5 bar
	Maks	7 bar
Aktiveringssystem		Kontaktaktivering
Anbefalte stifter		Rapid 23P: 15 -> 35 mm
Spikerdimensjoner		Ø0,64mm - 23Ga
Matekapasitet		150
Anbefalt trykkolje		Hydraulikkolje ISO 46 eller tilsvarende
	LpA, 1s, d	70,9 dB
Støyinformasjon (EN 12549:1999)	usikkerhet	2,5 dB
	LwA, 1s, d	83,9 dB
	usikkerhet	2,5 dB
	LpC, topp	109 dB
	usikkerhet	2,5 dB

Disse verdiene er verktøyrelaterede egenskapsverdier og representerer ikke støygenereringen ved bruk. Støy ved bruk vil for eksempel være avhengig av arbeidsmiljøet, arbeidsstykket, støtten til arbeidsstykket og antallet

stifter. Arbeidsplassens utforming kan også redusere støynivåene, for eksempel ved å plassere arbeidsstykket på lyddempende støtter.

Vibrasjonsinformasjon (ISO 8662-11:1999)	Vibrasjon	2,24 m/s <sup>2</sup>
		usikkerhet

Denne verdien er en verktøyrelateret egenskapsverdi og representerer ikke påvirkningen på hånd-arm-systemet ved bruk av verktøyet. Eventuell påvirkning av hånd-arm-systemet ved bruk av verktøyet vil for eksempel være avhengig av grepkraften, kontaktrykkkraften, arbeidsretningen, justeringen av energiforsyningen, arbeidsstykket og støtten for arbeidsstykket.

#### SYMBOLER

I det følgende vises symbolene som brukes for utstyret. Være sikker på at du forstår hva de betyr for bruk.



Les og forstå merking og etiketter på utstyret samt håndboken. Hvis ikke advarslene tas til følge, kan det føre til alvorlig personskade.



Operatører og andre i arbeidsområdet skal bruke støtsikre vernebriller med sideskjold.



Operatører og andre i arbeidsområdet skal bruke hørselsvern.



Det er mulig å bruke verktøyet i kontaktaktiveringsmodus



Ikke bruk verktøyet når du står på en vekt, i trapper eller stillas, stiger eller stigelignende konstruksjoner (f.eks. takleker), når du lukker bokser eller kasser eller når du fester sikkerhetssystemer for transport på kjøretøy og vogner.



Bruk aldri oksygen, karbondioksid eller annen gass på flasker som energikilde for dette verktøyet.

## GENERELLE SIKKERHETSADVARSLER

- 1. For egen personlig sikkerhet og for å bruke og vedlikeholde verktøyet på en riktig måte, les denne instruksjonshåndboken før verktøyet brukes.**
2. Oppbevar alle advarsler og instruksjoner for senere referanse.
3. Dette verktøyet er kun ment for profesjonell bruk. Skal ikke brukes til andre formål. Det er ikke laget for å skyte festemidler direkte inn i en hard overflate slik som stål eller betong.
4. Brukeren bør evaluere spesifikke risikoen som er til stede for hvert brukstilfelle.
5. All annen bruk enn den tiltenkte bruken av dette verktøyet er forbudt. Festeverktøy med kontinuerlig kontaktaktivering eller kontaktaktivering skal kun brukes til produksjonsformål.
6. Hold fingrene vekk fra avtrekkeren når dette verktøyet ikke brukes og når det flyttes fra en bruksstilling til en annen.
7. Flere farer. Les og forstå sikkerhetsinstruksjonene før verktøyet tilkobles, frakobles, lades, brukes, vedlikeholdes eller skiftes tilbehør på, samt før arbeid gjøres i nærheten av verktøyet. Hvis dette ikke gjøres, kan det føre til alvorlig personskade.
8. Hold alle kroppsdelene, slik som hender, føtter osv., vekk fra utskytningens retning, og sørg for at festemidlene ikke kan gå gjennom arbeidsemnet og inn i kroppsdelene.
9. Når verktøyet brukes, vær oppmerksom på at festemiddelet kan skifte retning og forårsake skade.
10. Hold verktøyet i et fast grep og være forberedt på å håndtere rekyl.
11. Operatører bør ha teknisk kompetanse for å bruke festeverktøyet.
12. Foreta aldri modifikasjoner på festeverktøyet. Modifikasjoner kan gjøre sikkerhetstiltak mindre effektive og øke risikoene for operatøren og/eller andre tilstedeværende.
13. Ikke kast instruksjonshåndboken.
14. Ikke bruk et verktøy som har blitt skadet.
15. Vær forsiktig når du håndterer festemidler, spesielt når de lades inn og tas ut, siden de kan ha skarpe



spisser som kan føre til skade.

16. Inspiser alltid verktøyet før bruk for å se etter ødelagte, feilkoblede eller slitte deler.
17. Strekk deg ikke for langt. Brukes kun på et sikkert arbeidssted. Sørg alltid for å ha godt fotfeste og god balanse.
18. Hold andre tilstedeværende unna (når arbeidet skjer i et område der gjennomgangstrafikk er sannsynlig). Merk av operasjonsområdet ditt på en tydelig måte.
19. Verktøyet skal aldri rettes mot deg selv eller andre.
20. Ikke hvil fingeren på avtrekkeren når du tar opp verktøyet, beveger deg mellom operasjonsområder og stillinger eller går, siden en finger på avtrekkeren kan føre til utilsiktet bruk. For verktøy med valgfri aktiveringsmodus, sjekk alltid verktøyet før bruk for å kontrollere at riktig modus er valgt.
21. Bruk kun hansker som gir tilstrekkelig følelse og sikker kontroll av avtrekkere og andre justeringsmekanismer.
22. Når du legger fra deg verktøyet, legg det på en flat overflate. Hvis du bruker kroken som verktøyet er utstyrt med, hekt den sikkert fast til en stabil overflate.
23. Ikke bruk verktøyet under påvirkning av alkohol, legemidler eller lignende.
24. Ikke bruk verktøyet når du står på en vekt, i trapper eller stillas, stiger eller stigelignende konstruksjoner (f.eks. takleker), når du lukker bokser eller kasser eller når du fester sikkerhetssystemer for transport på kjøretøy og vogner.



## Utskyningsrelaterte farer

1. Festeverktøyet skal frakobles strøm når festemidlene tas ut og ved justeringer, fjerning av blokkeringer og bytte av tilbehør.
2. Under bruk, sørg for at festemidlene trenger gjennom materialet på riktig måte og at de ikke kan skifte retning eller utilsiktet skytes ut i retning operatøren og/eller andre tilstedeværende.
3. Under bruken kan rester og rusk fra arbeidsemnet og feste-/båndsystem skilles ut.
4. Bruk alltid vernebriller for å beskytte øynene mot skade ved bruk av elektroverktøy. Vernebrillene må overholde standardene ANSI Z87.1 i USA, EN 166 i Europa eller AS/NZS 1336 i Australia/New Zealand. I Australia/New Zealand er det også påbudt ved lov å bruke en ansiktsskjerm for å beskytte ansiktet. Det er en arbeidsgivers ansvar å sikre at alle operatører av verktøyet, samt andre personer i umiddelbar nærhet av arbeidsområdet, bruker hensiktsmessig verneutstyr.
5. Risikoen andre utsettes for skal vurderes av operatøren.
6. Vær forsiktig med verktøy som kan utløses uten kontakt med arbeidsemnet, siden de kan utløses ved et uhell og skade operatøren og/eller tilstedeværende personer.
7. Sørg for at verktøyet alltid er sikkert støttet til arbeidsemnet og at det ikke kan skli.
8. Bruk hørselsvern for å beskytte ørene mot støy som dannes, og bruk hodevern. Bruk også lette, men ikke løstsittende klær. Ermer bør knappes eller rulles opp. Skjerm eller slips bør ikke brukes.



## Farer under bruk

1. Hold verktøyet riktig og vær klar til å gjøre motstand

- mot vanlige eller plutselige bevegelser slik som rekyl.
- Hold kroppstillingen i likevekt med et godt fotfeste.
  - Hensiktsmessige vernebriller skal brukes, og hensiktsmessige hansker og verneklær anbefales.
  - Hensiktsmessig hørselsvern må brukes.
  - Bruk riktig energitilførsel i henhold til retningslinjer i instruksjonshåndboken.
  - Ikke bruk verktøyet på plattformen eller lasteplan som beveger seg. Hvis plattformen gjør uventede bevegelser, kan du miste kontrollen over verktøyet og personskader kan oppstå.
  - Gå alltid ut fra at verktøyet inneholder festemidler.
  - Ikke gjør jobben for raskt og ikke bruk makt. Hånder verktøyet med varsomhet.
  - Vær oppmerksom på fotfestet og hold balansen med verktøyet. Vær sikker på at ingen personer befinner seg under arbeidssteder som er høyt oppe, og fest luftslangen for å forhindre at fare oppstår ved plutselige rykk eller fastheking.
  - Oppe på tak og andre høye steder, skyt inn festemidlene mens du beveger deg forover. Det er lett å miste fotfestet hvis du skyter inn festemidler under en baklengs bevegelse. Når du skyter festemidler mot en vinkelrett overflate, arbeid fra øverst til nederst. Påkjenningen for deg ved å utføre verktøyperasjoner blir mindre på den måten.
  - Festemiddelet vil bøyes og verktøyet kan blokkeres hvis du ved en feil skyter festemiddelet opp på et annet festemiddel eller treffer en kvist i treverket. Festemiddelet kan slynges vekk og treffe noen, eller selve verktøyet kan reagere på en farlig måte. Plasser festemidlene nøye og forsiktig.
  - Ikke la et ladd verktøy eller en luftkompressor under trykk være lenge ute i solen. Sørg for at støv, sand, treflis og fremmedlegemer ikke kommer inn i verktøyet på stedet der du legger det fra deg.
  - Forsøk aldri å skyte festemidler både fra innsiden og utsiden samtidig. Festemidlene kan lage hull gjennom materialet og/eller slynges vekk, noe som utgjør en alvorlig fare.

### Farer ved gjentatte bevegelser

- Når et verktøy brukes over lengre tid, kan operatøren oppleve ubehag i hendene, armene, skuldrene, nakken eller andre deler av kroppen.
- Når et verktøy brukes, bør operatøren velge en passende, men ergonomisk stilling. Sørg for godt fotfeste og unngå ubehagelige eller ubalanserte stillinger.
- Hvis operatøren opplever symptomer slik som vedvarende eller gjentatt ubehag, smerte, pulsering, verk, kribling, nummenhet, en brennende eller sviende følelse eller stivhet, ikke ignorer disse varselsignalene. Operatøren bør rådføre seg med kvalifisert helsepersonell angående sine generelle aktiviteter.
- Kontinuerlig bruk av verktøyet kan føre til belastningsskader på grunn av rekylen fra verktøyet.
- For å unngå belastningsskader bør operatøren ikke strekke seg for langt eller bruke overdreven kraft. I tillegg bør operatøren ta en pause hvis vedkommende kjenner seg utmattet.
- Foreta en risikovurdering angående farer ved repeterende bevegelser. Den bør fokusere på muskel- og skjelettlidelser og i utgangspunktet basere seg på en antagelse om at reduksjon av utmattelse i arbeidet

er effektivt for å redusere lidelser.

### Farer ved tilbehør og forbruksmateriell

- Koble fra energitilførselen til verktøyet, f.eks. luft eller gass eller batteri etter hva som er aktuelt, før tilbehør som arbeidsemnekontakt byttes eller skiftes ut og før noen slags justeringer gjøres.
- Bruk kun de størrelsene og typene tilbehør som leveres av produsenten.
- Bruk kun smøremidler som anbefales i denne håndboken.

### Farer på arbeidsplassen

- At man sklir, snubler eller faller, er ofte årsaken til skader på arbeidsplassen. Vær oppmerksom på glatte overflater på grunn av bruk av verktøyet og på snublefarene luftslangen utgjør.
- Vær ekstra forsiktig i ukjente omgivelser. Skjulte farer kan finnes, f.eks. strømkabler eller andre slags ledninger.
- Dette verktøyet er ikke beregnet for bruk i eksplosjonsfarlige omgivelser, og er ikke isolert fra å komme i kontakt med elektrisk strøm.
- Sørg for at det ikke finnes noen strømkabler, gassledninger o.l. som kan føre til fare hvis de skades av bruken av verktøyet.
- Arbeidsområdet må holdes rent og godt opplyst. Det kan lett oppstå ulykker i rotede eller mørke områder.
- Det kan finnes lokale støvforskrifter som må overholdes ved å holde støynivået innen de foreskrevne grensene. I visse tilfeller må skodder brukes for å dempe støyen.

### Farer ved støv og avgasser

- Kontroller alltid omgivelsene dine. Luften som støtes ut av verktøyet kan blåse støv eller partikler og treffe operatøren og/eller andre tilstedeværende.
- I et støvete miljø, styr utslippsluften i en retning som i så liten grad som mulig virvler opp støv.
- Hvis støv eller partikler slipper ut i arbeidsområdet, reduser utslippet så mye som mulig for å redusere helsefarer og risiko for skade

### Støyfarer

- Eksposering for høye støynivåer uten beskyttelse kan føre til permanent og invalidiserende hørselstap og andre problemer slik som tinnitus (ringing, summing, piping eller brumming i ørene).
- Foreta en risikovurdering angående støyfarer i arbeidsområdet og innfør hensiktsmessige kontroller av disse farene.
- Hensiktsmessige kontroller for å redusere risikoen kan inkludere tiltak som bruk av dempende materialer for å hindre at arbeidsemnene «ringer».
- Bruk hensiktsmessig hørselsvern.
- Bruk og vedlikehold verktøyet som anbefalt i disse instruksjonene for å forhindre en unødvendig økning av støynivåer.
- Ta forholdsregler for å redusere støv, f.eks. ved å plassere arbeidsemner på lyddempende støtter.

### Vibrasjonsfarer

- Dannelsen av vibrasjoner under bruk avhenger av gripekraften, kontaktrykkkraften, arbeidsretningen, justeringen av energitilførselen, arbeidsemnet og støtten for arbeidsemnet. Foreta en risikovurdering angående vibrasjonsfarer og innfør hensiktsmessige

- kontroller av disse farene.
2. Eksponering for vibrasjon kan føre til invalidiserende skader på nervene og på blodtilførselen til hendene og armene.
  3. Ha på varme klær ved arbeid under kalde forhold og hold hendene dine varme og tørre.
  4. Hvis du opplever nummenhet, kribling, smerte eller at huden på fingre eller hender blir hvit, rådfør deg med helsepersonell som er kvalifisert innen yrkesskader angående dine generelle aktiviteter.
  5. Bruk og vedlikehold av verktøyet må gjøres som anbefalt i disse instruksjonene for å forhindre en unødvendig økning av vibrasjonsnivåer.
  6. Hold verktøyet i et lett, men sikkert grep, siden vibrasjonsrisikoen generelt er høyere når gripekraften er høyere.

#### Ytterligere advarsler for trykkluftverktøy

1. Trykkluft kan føre til alvorlig personskade.
2. Når verktøyet ikke er i bruk, skal luftforsyningen alltid stenges av og kobles fra.
3. Koble alltid verktøyet fra trykkluftforsyningen før tilbehør byttes, justeringer og/eller reparasjoner gjøres og ved bevegelse fra et operasjonsområde til et annet område.
4. Hold fingrene vekk fra avtrekkeren når utstyret ikke brukes og når det flyttes fra en bruksstilling til en annen.
5. Rett aldri trykkluft mot deg selv eller noen andre.
6. Piskende slanger kan føre til alvorlig personskade. Se alltid etter skadede eller løse slanger eller koblinger.
7. Bær aldri et trykkluftverktøy etter slangen.
8. Dra aldri et trykkluftverktøy etter slangen.
9. Ved bruk av trykkluftverktøy, ikke overskrid det maksimale driftstrykket, ps max.
10. Trykkluftverktøy bør kun drives av trykkluft med lavest mulig trykk for å kunne utføre arbeidsprosessen, for å redusere støy og vibrasjon og minimere slitasje.
11. Bruk av oksygen eller brennbare gasser for å drive trykkluftverktøy skaper brann- og eksplosjonsfare.
12. Vær forsiktig ved bruk av trykkluftverktøy, siden verktøyet kan bli kaldt og dette virker inn på grepet og kontrollen.



#### Ytterligere advarsler for verktøy med kontaktaktiveringsmodus

1. Ikke hvil fingeren på avtrekkeren når du tar opp verktøyet, beveger deg mellom operasjonsområder og stillinger eller går, siden en finger på avtrekkeren kan føre til utilsikket bruk.
2. Hvis verktøyet har valgfri aktiveringsmodus med valg mellom sekvensiell kontaktaktivering eller kontinuerlig kontaktaktivering, eller hvis det benytter sekvensiell eller kontinuerlig kontaktaktivering og er merket med den angitte symbolet, er det beregnet for bruk til produksjonsformål som f.eks. paller, møbler, sammensatte kabinetter, møbeltrekk og dekkplater.
3. Bruk ikke dette verktøyet i kontaktaktiveringsmodus til bruksområder som f.eks. å lukke bokser eller kasser eller å feste sikkerhetssystemer for transport på tilhengere og lastebiler.
4. Advarsel om at verktøyet kun skal brukes på sikre



arbeidsplasser.

5. Vær forsiktig ved endring av arbeidssted.

### MATING

1. Koble verktøyet fra luftforsyningen. **(Figure 3)**
2. Løs ut magasinet ved å klemme på hendelen. **(Figure 4)**
3. Mate inn dykkerter: Hold spikerpistolen nedover og legg spiker i kassetten med spissene nedover. **(Figure 5)** Skyv inn skinnen til den klikker på plass. **(Figure 6)**
4. Bruk bare anbefalte stifter (se tekniske spesifikasjoner).
5. Verktøyet og festemidlene som er angitt i driftsinstruksene skal regnes som ett enkelt sikkerhetssystem.

### VERKTØYBRUK

1. Hold verktøyet slik at det peker bort fra deg selv og andre, og koble verktøyet til luftforsyningen. **(Figure 1)**
2. Verktøy må brukes med det laveste trykket som er nødvendig for bruksområdet. Dette vil redusere støynivå, slitasje og energiforbruk.
3. Trykk munnstykket på verktøyet på arbeidsstykket som skal festet, og trykk inn utløseren for å stifte. **(Figure 7)**  
Juster minstetrykket som er nødvendig for at stiftene skal trenge gjennom. Gjør deretter noen tester der du starter med det laveste trykket.
4. Sjekk om festemiddelet har blitt drevet inn i arbeidsemnet i henhold til kravene.  
– Hvis festemiddelet stikker frem, og lufttrykket gradvis i trinn på 0,5 bar, og sjekk resultatet etter hver ny justering;  
– Hvis festemiddelet drives for langt inn, reduser lufttrykket gradvis i trinn på 0,5 bar til resultatet er tilfredsstillende.
5. Uansett bør du ha som mål å arbeide med et så lavt lufttrykk som mulig.
6. Under arbeidsoperasjoner må verktøyet holdes på en slik måte at hodeskader eller kroppsskader ikke kan oppstå, selv om verktøyet plutselig skulle slå tilbake mot brukeren som følge av ujevn energitilførsel eller harde områder i arbeidsemnet.
7. Verktøyet skal kobles fra trykkluftsystemet når det skal transporteres, særlig når stiger brukes eller hvis man beveger seg med en uvanlig kroppsstilling.
8. Bær festeverktøyet på arbeidsplassen kun etter håndtaket, og aldri med avtrekkeren aktivert!
9. Ta hensyn til forholdene på arbeidsplassen. Festemidlene kan trenge gjennom tynne arbeidsemner eller gli av hjørner og kanter på arbeidsemner, og dermed utsette folk for fare.
10. For din personlige sikkerhet, bruk verneutstyr som f.eks. hørselsvern og vernebriller.
11. Avtrekkeren og sikkerhetsmekanismen må aktiveres for hver enkelt verktøyoperasjon, uten at aktiveringsrekkefølgen er angitt. For repeterende verktøyoperasjoner er det tilstrekkelig om enten avtrekkeren forblir aktivert og sikkerhetsmekanismen aktiveres etterpå, eller omvendt.
12. Unngå å bruke avtrekkeren hvis magasinet er tomt.

13. Et verktøy som er defekt eller ikke virker som det skal, må omgående kobles fra trykkluftforsyningen og leveres til en spesialist for inspeksjon.
14. Ved lengre pauser i arbeidet og ved slutten av arbeidsskiftet må du koble verktøyet fra trykkluftforsyningen, og det anbefales også å tømme magasinet.
15. Verktøyets trykkluftkontakter og slanger bør beskyttes mot forurensning. Hvis grovkornet støv, treflis, sand o.l. trenger inn, vil det føre til lekkasjer og skader på verktøyet og koblingene.

### TRYKKLUFTSYSTEM

1. For at festeverktøyet skal fungere som det skal, må det tilføres filtrert, tørr < og oljet > trykkluft i tilstrekkelige mengder. **(Figure 11)**
2. Hvis lufttrykket i linjesystemet overstiger det maksimalt tillatte trykket for festeverktøyet, må en trykkreduksjonsventil etterfulgt av en nedstrømsikkerhetsventil i tillegg monteres i verktøyets forsyningslinje.
3. Koble festeverktøyet til trykkluftforsyningen ved hjelp av en passende trykkslange utstyrt med hurtigkoblingskontakter. **(Figure 1)**
4. Kompressoranlegget skal være tilstrekkelig dimensjonert når det gjelder trykkeffekt og ytelse (volumstrøm) i forhold til forbruket som forventes. Linjeseksjoner som er for små i forhold til lengden av linjen (rør og slanger), samt overbelastning av kompressoren, vil føre til at trykket faller.
5. Permanente trykkørledninger bør ha en indre diameter på minst 19 mm, og en tilsvarende større diameter der relativt lange rørledninger eller flere brukere er involvert.
6. Trykkluftørledninger bør legges slik at de danner en gradient (høyeste punkt i retning av kompressoren). Enkelt tilgjengelige vannutskillerer bør installeres ved de laveste punktene.
7. Tilkoblingspunkter for brukere bør legges til rørledningene ovenfra.
8. Tilkoblingspunkter for festeverktøy bør styres med en behandlingsenhet for trykkluft (filter/vannutskiller/smøre-enhet) rett ved tilkoblingspunktet.
9. Smøreenheter må kontrolleres daglig og om nødvendig fylles med olje av anbefalt kvalitet (se TEKNISKE DATA). Når slangelengder på mer enn 10 m brukes, kan ikke oljeforsyningen til festeverktøyet garanteres. Vi anbefaler derfor å tilføre 2 til 5 dråper (avhengig av belastningen på festeverktøyet) av den anbefalte oljen (se TEKNISKE DATA) gjennom verktøyets luftinnløp, eller gjennom en smøreenhet som festet direkte til festeverktøyet.

### FEILSØKING OG VEDLIKEHOLD

1. Hvis stifter setter seg fast, kobler du verktøyet fra luftforsyningen. **(Figure 3)**
2. Løs ut magasinet og skyv skinnen bakover. **(Figure 8)** Fjern fastkjørte stifter.
3. Eller løsn de to skruene på frontdekslet og trekk det ut. **(Figure 9)** Fjern det fastkjørte prosjektilet. **(Figure 10)** Sett på frontdekslet og skru til skruene.

### VEDLIKEHOLD:

1. Når verktøyet er koblet fra luftforsyningen, inspiserer du daglig at utløseren og sikkerhetsbøylen kan

beveges fritt.

2. Alle skruer skal være trukket til. **(Figure 2)** Løse skruer medfører usikker drift og skader på deler. Drypp forsiktig 2 eller 3 oljedråper inn i luftinntaket.
3. Bruk bare medfølgende olje til verktøyet, eller olje som er anbefalt i de tekniske spesifikasjonene. Hold verktøyet rent. Tørk det av jevnlig med en tørr klut, og se etter slitasje. Smør de bevegelige delene i magasinet fra tid til annen for å hindre slitasje.
4. Ikke bruk brennbare rengjøringsmidler. Ikke gjør verktøyet gjennomvått eller bruk løsemidler. Slike løsninger kan skade o-ringer og andre følsomme verktøydeler. Bruk ren og tørr luft. Bruk helst en behandlingsenhet for trykkluft oppstrøms fra koblingen til verktøyet. Andre reparasjoner enn dem som er beskrevet her, må bare utføres av opplært, kvalifisert personale eller av produsenten.

### RESERVEDELSLISTE

Følg lokale foreskrifter når verktøyet skal avhendes.

#### PMP171 Reserveredelsliste (Figure 12)

Indeks	Art.nr.	Beskrivelse
A	5001346	Hovedventil-, sylinder- og stempelsett
B	5001347	Sikkerhets- og utløsersett
C	5001348	Magasinet

# PAINELMAKÄYTTÖINEN NAULAIN PMP171

## Käyttöohjeet - käänös alkuperäisestä

**FI**

### TEKNISET TIEDOT

Työkalun koko	Korkeus	190 mm
	Pituus	230 mm
	Leveys	48 mm
	Paino ilman nautoja	0,95 kg
	Paino raskaimpien nautojen kanssa	0,96 kg
Ilma-aukko		1/4"
Suurin sallittu käyttöpaino		8 bar
Käyttöpaino	Vähintään	5 bar
	Enintään	7 bar
Käytön ohjausjärjestelmä		Kontaktilaukaisu
Sinkiläsuositus		Rapid 23P: 15 -> 35 mm
Naulan mitat		Ø0,64mm - 23Ga
Kapasiteetti		150
Paineilmajärjestys		Hydrautiliity ISO 46 tai vastaava
	LpA, 1s, d	70,9 dB
Melutiedot (EN 12549:1999)	vaihtelu	2,5 dB
	LwA, 1s, d	83,9 dB
	vaihtelu	2,5 dB
	LpC, peak	109 dB
	vaihtelu	2,5 dB

Nämä arvot ovat työkalukohtaisia eivätkä ne vastaa käyttötilanteessa syntyvää melua. Käyttötilanteessa syntyvään meluun vaikuttavat työskentely-ympäristö, työstettävä esine, työstettävän esineen tuki ja valittu käyttötaso. Myös työpisteen suunnittelu auttaa vähentämään melua, sillä esimerkiksi työstettävän esineen tuki voi vaimentaa melua.

Tärinätiedot (ISO 8662-11:1999)	Tärinä	2,24 m/s <sup>2</sup>
	vaihtelu	0,332 m/s <sup>2</sup>

Arvo on työkalukohtainen eikä se vastaa vaikutusta, joka tuntuu kädessä ja käsivarressa työkalua käytettäessä. Kädessä ja käsivarressa tuntuva vaikutus määräytyy esimerkiksi puristusvoiman, iskuvoiman, työskentelysuunnan, voimanlähteen säädön, työstettävän esineen ja työstettävän esineen tuen mukaan.

### SYMBOLIT

Alla on kuvaus tässä oppaassa käytetyistä symboleista. Tutustu niihin ennen käyttöä.



Lue ja sisäistä työkalun tarroissa ja oppaassa olevat tiedot. Varoitussten laiminlyönti voi johtaa vakavaan henkilövahinkoon.



Käyttäjän ja muiden työskentelytiloissa olevien henkilöiden on käytettävä iskunkestäviä ja sivusuojilla varustettuja silmäsuojaimia.



Käyttäjän ja muiden työskentelytiloissa olevien henkilöiden on käytettävä kuulosuojaimia.



Työkalua voidaan käyttää kontaktilaukaisutilassa



Älä käytä työkalua, kun seisot portaikossa tai rakennustelineellä, tikkailla tai tikkaita vastaavalla rakenteella, kuten kattoruoteilla, sulkiessasi laatikoita tai häkkeitä, tai asentaessasi kuljetusturvallisuutta parantavia järjestelmiä esim. ajoneuvoissa ja perävaunuissa.



Älä koskaan käytä tämän työkalun voimanlähteenä happea, hiilidioksidia tai muuta pullokaasua.

### YLEISIÄ TURVALLISUUSVAROITUKSIA

- Lue tämä käyttöohje ennen työkalun käyttöä oman henkilöturvallisuutesi vuoksi, ja jotta osaisit käyttää ja huoltaa työkalua oikein.**
- Säilytä kaikki varoitukset ja ohjeet myöhempää käyttöä varten.
- Työkalu on tarkoitettu vain ammattikäyttöön. Älä käytä sitä mihinkään muuhun tarkoitukseen. Sitä ei ole suunniteltu kiinnittimen kiinnittämiseen suoraan kovaan pintaan, kuten teräkseen tai betoniin.
- Käyttäjän tulee arvioida jokaiseen käyttökohteeseen liittyvät vaarat.
- Tätä työkalua ei saa käyttää muuhun kuin siihen käyttötarkoitukseen, johon se on tarkoitettu. Kiinnittimen kiinnitystyökaluja, joissa on jatkuva kontaktilaukaisu tai kontaktilaukaisu, saa käyttää vain tuotanto-olosuhteissa.
- Pidä sormet poissa laukaisimelta, kun et käytä tätä työkalua ja kun vaihdat käyttöasentoa.
- Useita vaaran aiheuttajia. Lue ja sisäistä turvallisuusohjeet ennen työkalun kytentää, irrotusta, täyttöä, käyttöä, huoltoa, lisävarusteiden vaihtoa tai sen lähellä työskentelyä. Muussa tapauksessa seurauksena

voi olla vakava henkilövahinko.

8. Pidä kaikki kehonosat, mukaan lukien kädet ja jalat, poissa laukaisuunnasta ja varmista, ettei kiinnitin läpäise työkalua ja osu mihinkään kehonosaan.
9. Huomioi työkalua käyttäessäsi, että kiinnitin voi kimmota eri suuntaan ja aiheuttaa henkilövahingon.
10. Ota tukeva ote työkalusta ja valmistaudu hallitsemaan sen rekylyä.
11. Vain ammattitaitoisten käyttäjien tulisi käyttää tätä työkalua.
12. Älä tee työkaluun muutoksia. Muutokset voivat heikentää turvallisuusominaisuuksien tehoa ja aiheuttaa suurentuneen vaaran käyttäjälle ja/tai sivulliselle.
13. Älä hävitä käyttöopasta.
14. Älä käytä työkalua, jos se on vaurioitunut.
15. Ole varovainen käsitellessäsi kiinnittimiä, erityisesti lisätessäsi tai poistaessasi niitä työkalusta, sillä kiinnittimissä on terävät kärjet, jotka voivat aiheuttaa henkilövahingon.
16. Tarkista työkalu aina ennen käyttöä rikkoutuneiden, väärin liitettyjen tai kuluneiden osien varalta.
17. Älä kurkota. Käytä vain turvallisessa työskentelyympäristössä. Ota tukeva asento ja huolehdi tasapainostasi joka hetki.
18. Pidä sivulliset poissa (kun työskentelet alueella, jossa todennäköisesti on paljon sivullisia henkilöitä). Merkitse työskentelyalueesi erottuvasti.
19. Älä koskaan suuntaa työkalua itseäsi tai muita kohti.
20. Älä lepuuta someasi liipaisimella, kun nostat työkalun, siirry työskentelypaikasta toiseen, vaihda asentoa tai kävelet, sillä sormen lepuuttaminen laukaisimella voi aiheuttaa tahattoman laukaisun. Jos työkalussa on selektiivinen laukaisu, tarkista työkalu aina ennen käyttöä varmistaaksesi, että oikea tila on valittuna.
21. Käytä vain sellaisia suojakäsitteitä, jotka antavat riittävän tuntuman laukaisimeen ja mahdollisiin säätölaitteisiin ja mahdollistavat niiden turvallisen käytön.
22. Kun lasket työkalun kädestäsi, laske se alas tasaiselle pinnalle. Jos käytät koukulla varustettua työkalua, kiinnitä työkalu koukulla tukevasti vakaalle pinnalle.
23. Älä käytä työkalua alkoholin, huumaavien aineiden tai vastaavien vaikutuksen alaisena.
24. Älä käytä työkalua, kun seisot portaikossa tai rakennustelineellä, tikkailla tai tikkailla vastaavalla rakenteella, kuten kattoruoteilla, sulkiessasi laatikoita tai häkkeitä, tai asentaessasi kuljetusturvallisuutta parantavia järjestelmiä esim. ajoneuvoissa ja perävaunuissa.



### Sinkoutuvien esineiden vaara

1. Työkalu on kytkettävä irti kiinnittimiä lisättäessä ja poistettaessa sekä tukosten vapauttamisen tai lisävarusteiden vaihtamisen ajaksi.
2. Huolehdi käytön aikana, että kiinnittimet läpäisevät materiaalin oikein ja että ne eivät pääse kimpoamaan / laukeamaan epähuomiossa kohti käyttäjää ja/tai sivullisia.
3. Käytön aikana työkalupaleesta ja kiinnitys/ laukaisujärjestelmästä voi lentää roskaa.
4. Käytä aina suojalaseja, jotka suojaavat silmääsi loukkaantumiselta käyttäessäsi sähkö- tai paineilmatyökaluja. Suojalasien on täytettävä seuraavat vaatimukset: ANSI



Z87.1 Yhdysvalloissa, EN 166 Euroopassa tai AS/ NZS 1336 Australiassa/Uudessa-Seelannissa. Australiassa/Uudessa-Seelannissa laki edellyttää myös kasvat suojaavan kasvosuojaimen käyttöä. Työnantajan vastuulla on valvoa, että työkalujen käyttäjät ja muut työskentelyalueella olevat henkilöt käyttävät asianomaisia suojaamia.

5. Käyttäjän on arvioitava muihin henkilöihin kohdistuva vaara.
6. Ole varovainen työkalujen kanssa, jotka eivät ole kosketuksissa työkalupaleeseen, sillä ne voivat lauaeta tahattomasti ja aiheuttaa käyttäjän ja/tai sivullisen loukkaantumisen.
7. Varmista, että työkalu on aina turvallisesti työkalupaleelta vasten ja ettei se pääse luiskahtamaan pois.
8. Käytä kuulosuojaimia suojaaksesi korviasi pakoilmääniltä ja päänsuojainta. Käytä myös kevyitä ja ihonmyötäisiä vaatteita. Hihat tulisi napittaa kiinni tai kääriä ylös. Älä käytä solmiota.



### Käyttöä koskevat vaarat

1. Pidä työkalua oikein: ole valmis reagoimaan normaaleihin tai äkillisiin liikkeisiin, kuten rekylyihin.
2. Ota tasapainoinen asento ja varmista, että jalkasi ovat tukevasti.
3. Käytä asianmukaisia suojalaseja. Suosittelemme myös käyttämään asianmukaisia suojakäsitteitä ja suojavaatteita.
4. Käytä asianmukaisia kuulosuojaimia.
5. Käytä oikeaa, käyttöoppaassa ohjeistettua energianlähdettä.
6. Älä käytä työkalua liikkuvalla alustalla tai kuorma-auton lavalla. Alustan äkillinen liike voi aiheuttaa työkalun hallinnan menetyksen ja johtaa henkilövahinkoon.
7. Käsittele työkalua aina siten kuin se olisi ladattu kiinnittimillä.
8. Älä työskentele kiireellä äläkä yritä väkisin nopeuttaa työkalun toimintaa. Käsittele työkalua varovasti.
9. Varmista, että jalkasi ovat tukevasti, ja huolehdi tasapainosta käyttäessäsi työkalua. Varmista, ettei alapuolellasi ole ketään, kun työskentelet korkealla. Kiinnitä myös ilmaletku paikalleen estääksesi äkillisen takertumisen tai nykyisyn aiheuttamat vaaratilanteet.
10. Naulaa kiinnittimiä samalla kun siirry eteenpäin, kun työskentelet katolla tai muussa korkeassa paikassa. Voit menettää tasapainosi, jos naulaat kiinnittimiä liikkuessasi samalla taaksepäin. Työskentele ylhäältä alaspäin, kun naulaat kiinnittimiä pystysuoriin pintoihin. Tämä vähentää naulaamistyon rasitusta.
11. Kiinnitin voi taipua tai työkalu voi jumiuuta, jos naulaat kiinnittimen toisen kiinnittimen päälle tai osut puussa olevaan oksaan epähuomiossa. Kiinnitin voi sinkoutua irti ja osua henkilöön, tai työkalu voi käyttäytyä vaarallisesti. Lataa kiinnittimet varovasti.
12. Älä jätä ladattua työkalua tai paineenalaista ilmakompressoria pitkäksi aikaa ulos aurinkoon. Varo, ettei alas laskettuun työkaluun pääse pölyä, hiekkaa, lastuja tai vieraita aineksia.
13. Älä koskaan yritä naulata kiinnittimiä samanaikaisesti sekä sisä- että ulkopuolelta. Kiinnittimet voivat läpäistä materiaalin ja/tai sinkoutua irti ja aiheuttaa vakavan vaaran.

### Toistuvista liikkeistä aiheuttavat vaarat



1. Työkälun pitkä yhtäjaksoinen käyttö voi rasittaa käyttäjän käsiä, käsivarsia, niskaa ja muita kehonosia.
2. Työkälun käyttäjän tulisi ottaa työskentelyyn soveltuva mutta mahdollisimman ergonominen asento. Aseta jalat tukevasti ja vältä hankalia tai epävakaita asentoja.
3. Jos työkalun käyttö aiheuttaa käyttäjälle oireita, kuten jatkuvaa tai toistuvaa rasitusta, kipua, särkyä, kivun jatkuvaa tai toistuvaa rasitusta, kipua, särkyä, kytken väkijäykkyyttä, oireita ei saa jättää huomiotta. Käyttäjän tulisi ottaa yhteyttä terveysalan ammattilaiseen työskentelyolosuhteisiinsa liittyen.
4. Työkälun yhtäjaksoinen käyttö voi aiheuttaa rasitusvamman työkalun synnyttämän rekylin vuoksi.
5. Rasitusvammojen välttämiseksi käyttäjän tulisi pidättäytyä kurkottamasta ja liiallisen voiman käytöstä. Käyttäjän tulee myös huolehtia riittävästä levosta tuntiensa olonsa rasittuneeksi.
6. Arvioi toistuvista liikkeistä aiheutuvat vaarat. Vaara-arvion tulisi keskittyä lihas- ja tukirakenteen vammoihin ja jos mahdollista, lähtökohdaksi tulisi olla oletama, jonka mukaan työrasituksen vähentäminen pienentää vammautumiseriskiä tehokkaasti.

### Tarvikkeista ja kulutusosista aiheutuvat vaarat

1. Kytke irti työkalun energianlähde, kuten paineilmatai kaasulähde tai akku, ennen kuin vaihdat/lisäät tarvikkeita, kuten työkappaleen kontaktikappaletta, tai teet säätöjä.
2. Käytä vain valmistajan ilmoittamia lisävarusteiden tai tarvikkeiden kokoja ja tyyppejä.
3. Käytä vain tässä oppaassa suositeltuja voiteluaineita.

### Työpaikan vaarat

1. Työpaikkatapaturmat aiheutuvat usein liukastumisista, kaatumisista ja putoamisista. Varo työkalun käytön synnyttämiä liukkaita pintoja sekä paineilmaletkun aiheuttamaa kompastumisvaaraa.
2. Ole erityisen varovainen vieraisissa ympäristöissä. Niissä voi olla piilossa olevia vaaroja, kuten sähkökaapeleita ja kaasu- tai nesteputkia.
3. Tämä työkalu ei sovellu käytettäväksi räjähdysvaarallisissa ympäristöissä, eikä sitä ole eristetty sähkövirtakosketuksesta.
4. Varmistu, ettei lähistöllä ole sähkökaapeleita, kaasuputkia tms., jotka voivat aiheuttaa vaaran, mikäli ne vaurioituvat työkalun käytön seurauksena.
5. Pidä työskentelyalue puhtaana ja hyvin valaistuna. Epäjärjestyksessä olevat ja pimeät alueet altistavat onnettomuuksille.
6. Työkohteessa voi olla paikallisia melurajoituksia, joita on noudatettava huolehtimalla, ettei melutaso ylitä sallittua raja-arvoa. Joissakin tapauksissa melun kulkeutuminen on estettävä verhoilla.

### Pölyn ja poistoilman aiheuttamat vaarat

1. Tarkista aina ympäristö. Työkälusta poistuva ilma voi puhaltaa pölyä tai esineitä sekä osua käyttäjään ja/tai sivullisiin.
2. Ohjaa poistuva ilma siten, että se ei nostata pölyä ilmaan, jos ympäristössä on paljon pölyä.
3. Jos työskentelyalueelle joutuu pölyä tai vieraita aineksia, vähennä päästöjä mahdollisimman tehokkaasti terveys- ja loukkaantumiseriskien ehkäisemiseksi.

### Meluvaarat

1. Suojaamaton altistus korkeille melutasoille voi

aiheuttaa pysyvän, invalidisoivan kuulonmenetyksen ja muita ongelmia, kuten tinnitusta (korvien soiminen, humina, vihellys tai suhina).

2. Arvioi meluvaarat työskentelyalueella ja toteuta vaadittavat toimenpiteet näiden vaarojen ehkäisemiseksi.
3. Vaarojen ehkäisyssä tarvittavia toimenpiteitä voivat olla esimerkiksi vaimennusmateriaalit, joilla estetään työkappaleiden ”soiminen”.
4. Käytä asianmukaisia kuulosuojaimia.
5. Käytä ja huolla työkalua näiden ohjeiden mukaisesti, jotta melutaso pysyy mahdollisimman alhaisena.
6. Toteuta melua vaimentavia toimenpiteitä, kuten työkappaleiden asettaminen melua vaimentavalle alustalle.

### Värinävaarat

1. Käytön aikaiset värinäpäästöt riippuvat tartuntavoimasta, kontaktipaineesta, työskentelysuunnasta, energialähteen säädöstä, työkappaleesta ja työkappaleen tuesta. Arvioi värinävaarat ja toteuta vaadittavat toimenpiteet näiden vaarojen ehkäisemiseksi.
2. Altistuminen värinälle voi vahingoittaa käsien ja käsivarsien hermoja ja verisuonia invalidisoivasti.
3. Käytä lämpimiä vaatteita, kun työskentelet kylmissä olosuhteissa, ja pidä kätesi lämpiminä ja kuivina.
4. Jos havaitset sormissasi tai käsissäsi puutumista, pistelyä, kipua tai ihon vaalenemista, pyydä valtuutetun työterveysammattilaisen arviota työskentelyyn liittyen.
5. Käytä ja huolla työkalua näiden ohjeiden mukaisesti, jotta värinätaaso pysyy mahdollisimman alhaisena.
6. Tartu työkaluun kevyellä mutta varmalla otteella, koska värinästä aiheutuvat vaarat ovat tavallisesti suuremmat, kun tartuntavoima on suurempi.

### Paineilmatyökaluja koskevia lisävaroituksia

1. Paineilma voi aiheuttaa vakavan henkilövahingon.
2. Sulje aina paineilman sülle ja irrota työkalu paineilmalähteestä, kun sitä ei käytetä.
3. Irrota työkalu aina paineilmalähteestä, ennen kuin vaihdat lisävarusteita, teet säätöjä ja/tai korjauksia tai vaihdat työskentelypaikkaa.
4. Pidä sormet poissa laukaisimelta, kun et käytä työkalua ja kun vaihdat käyttöasentoa.
5. Älä koskaan kohdista paineilmaa itseäsi tai muita henkilöitä kohti.
6. Letkun piiskaliike voi aiheuttaa vakavan henkilövahingon. Tarkista letkut ja liittämät aina vaurioiden ja löysän kiristuksen varalta.
7. Älä koskaan kannaa paineilmatyökalua letkusta käsin.
8. Älä koskaan vedä paineilmatyökalua letkusta käsin.
9. Älä ylitä suurinta sallittua käyttöpainetta, kun käytät paineilmatyökaluja.
10. Paineilmatyökalujen energianlähteenä tulisi käyttää vain paineilmaa, jonka paine on säädetty mahdollisimman alhaiselle prosessin edellyttämälle tasolle ehkäistäkseen syntyvää melua ja värinää sekä kulumista.
11. Happea tai palavia kaasuja ei saa käyttää paineilmatyökaluissa, sillä ne aiheuttavat tulipalo- ja räjähdysvaaran.
12. Ole varovainen käyttäessäsi paineilmatyökaluja, sillä työkalu voi jäähtyä, mikä hankaloittaa tarttumista ja hallintaa.



## Lisävaroituksia työkaluille, joissa on kontaktilaukaisuominaisuus

1. Älä lepuuta someasi liipaisimella, kun nostat työkalun, siiryt työskentelypaikasta toiseen, vaihdat asentoa tai kävelet, sillä sormen lepuuttaminen laukaisimella voi aiheuttaa tahattoman laukaisun.
2. Jos tässä työkalussa on laukausitilan valitsimilla valittava kertakontaktilaukaisu tai jatkuva kontaktilaukaisu, tai jos työkalu on kontaktilaukaisu- tai jatkuva kontaktilaukaisutyypinen työkalu ja siinä on oheinen symboli, se on tarkoitettu tuotantokäyttöön, kuten laivojen, huonekalujen, kotelorakenteiden, verhoilun ja levyjen valmistukseen.
3. Älä käytä työkalua kontaktilaukaisutilassa sellaisissa käyttötarkoituksissa kuin laatikoiden tai kuljetuslaatikoiden sulkeminen tai kuljetusurvajärjestelmien asennus perävaunuihin ja kuorma-autoihin.
4. Varoitus, että työkalua saa käyttää vain turvallisissa käyttöympäristöissä.
5. Ole varovainen, kun siirät työkalua naulauskohdasta toiseen.



7. Naulain on irrotettava paineilmaverkosta paikasta toiseen siirryttäessä, erityisesti jos käytetään tikkaita tai kun työskentelyasento poikkeaa tavallisesta liikkumisen aikana.
8. Kanna nauलाईnta työpaikalla aina vain kahvasta kiinni pitäen, äläkä koskaan pidä laukaisinta painettuna.
9. Huomioi aina työskentelyolosuhteet. Naulat voivat läpäistä ohuet työkappaleet. Työkappaleiden kulmissa ja reunoilla työskennellessä ne voivat sinkoutua pois ja aiheuttaa henkilövahinkoja.
10. Käytä henkilöturvallisuutta parantavia suojavarusteita, kuten kuulosuojaimia ja suojalaseja.
11. Laukaisu- ja laukaisuvarmistin on aktivoitava jokaisella nauлаustoimenpiteellä. Aktivointijärjestyksellä ei ole merkitystä. Toistuvassa nauлаamisessa riittää, että laukaisinta pidetään jatkuvasti painettuna ja laukaisu suoritetaan tämän jälkeen aktiivomalla laukaisuvarmistin, tai päinvastoin.
12. Vältä laukaisemasta työkalua, jos makasiini on tyhjä.
13. Viallinen tai väärin toimiva työkalu on välittömästi irrotettava paineilmalähteestä ja toimitettava ammattilaiselle tarkastettavaksi.
14. Kytke työkalu irti paineilmalähteestä, kun työskentelyyn tulee pidempi taukoja sekä työvuoron päätteeksi. Suosittelemme myös tyhjentämään lippan.
15. Työkalun paineilmalähtennät ja letkut on suojattava kontaminaatiolta. Jos työkalun sisälle pääsee isokokoisia pölyhiukkasia, lastuja, hiekkaa tms., työkalu ja liittännät vaurioituvat ja alkavat vuotaa.

## TÄYTTÖ

1. Irrota työkalu paineilmalasta. (Figure 3)
2. Irrota säiliö puristamalla vapautusvipua. (Figure 4)
3. Naulojen lisääminen: Pidä nauलाईnta alaspäin ja lisää nauлары säiliöön nauलों kärki alaspäin. (Figure 5) Tönnä kiskoa, kunnes se napsahtaa paikalleen. (Figure 6)
4. Käytä vain suositeltuja sinkilöitä (katso tekniset tiedot).
5. Käyttöohjeen mukaiset työkalu ja kiinnittimet tulisi nähdä yhtenä turvallisuusjärjestelmän muodostamana kokonaisuutena.

## TYÖKALUN KÄYTTÖ

1. Varmista, että työkalua ei ole suunnattu itseäsi tai muita kohden, ja kytke paineilma työkaluun. (Figure 1)
2. Työkaluja on käytettävä alhaisimmalla käyttötarkoitukseen sopivalla paineella. Tämä vähentää melutasoa, osien kulumista ja energiankulutusta.
3. Paina työkalun nokka työstettävään esineeseen ja kiinnitä sinkilät painamalla liipaisinta. (Figure 7) Säädä sinkilöiden kiinnittämiseen tarvittavaa vähimmäispainetta. Kokeile sitten kiinnittämistä alhaisimmalla paineella.
4. Tarkista, onko kiinnitin työntynyt työkappaleeseen vaatimusten mukaisesti.
  - jos kiinnitin työntyy esiin, lisää ilmanpainetta 0,5 baarin askelin ja tarkista tulos jokaisen säädön jälkeen;
  - jos kiinnitin työntyy liian syväälle, vähennä ilmanpainetta 0,5 baarin askelin, kunnes haluttu lopputulos saavutetaan.
5. Pyri aina työskentelemään mahdollisimman alhaisella ilmanpaineella.
6. Pidä työkalusta kiinni työskentelyn aikana siten, ettet loukkaa päätäsi tai kehoasi mahdollisen rekyllin sekä energiansyötössä tapahtuvien katkosten tai hankalien työasentojen seurauksena.

## PAINEILMAJÄRJESTELMÄ

1. Työkalun oikea toiminta edellyttää riittävää määrää suodatettua, kuivaa < ja voideltua > paineilmaa. (Figure 11)
2. Jos paineilmalinjan paine ylittää nauлаimen enimmäispaineen, työkalun syöttölinjaan on lisäksi asennettava paineenalennusventtiili ja sen jälkeen ylipaineventtiili.
3. Liitä nauलाईntä työkalu paineilmalähteeseen sopivalla paineletkulla, joka on varustettu pikaliittimillä. (Figure 1)
4. Paineilmalähteen paineentuotto ja suorituskyky (tilavuusvirta) on mitoittava asianmukaisesti odotettavan kulutusarpeen mukaan. Linjan (putket ja letkut) kokonaispituuteen nähdn alimitoitut osat aiheuttavat paineen putoamisen ja ylikuormittavat kompressorin.
5. Kiinteästi asennettujen paineilmaputkistojen sisähalkaisijan on oltava vähintään 19 mm, ja halkaisijaa on suurennettava, jos putkivedot ovat pitkät tai jos järjestelmällä on useita käyttäjiä.
6. Paineilmaputkistot on asennettava siten, että putkistossa on jatkuva kaato (korkeimman kohdan on oltava kompressorin päin.) Linjan matalimpiin osiin on asennettava helposti käytettävissä olevat vedenerottimet.
7. Käyttäjille johdettavat haarat on liitettävä putkistoon yläpuolelta.
8. Nauलाईntä työkalun liittämispisteisiin on asennettava paineilman huoltoyksikkö (suodatin/vedenerotin/voitelulaite).
9. Voitelulaitteet on tarkistettava päivittäin, ja tarvittaessa

niihin on lisättävä suositeltua öljyalaatua (katso **TEKNISET TIEDOT**). Jos käytössä on yli 10 m:n pituisia letkuja, työkalun asianmukaista voitelua ei voida taata. Tästä syystä on suositeltavaa lisätä työkalun ilmansyöttöaukosta 2–5 tippaa (työkalun kuormituksesta riippuen) suositeltua öljyä (katso **TEKNISET TIEDOT**), tai voitelulaite on liitettävä suoraan naulaimeen.

### VIANMÄÄRITYS JA HUOLTO

1. Jos sinkilät jumittuvat, irrota työkalu paineilmasta. **(Figure 3)**
2. Irrota säiliö ja siirrä kiskoa taaksepäin. **(Figure 8)** Poista jumittuneet sinkilät.
3. Voit myös avata etukannen kaksi ruuvia ja vetää sen ulos. **(Figure 9)** Irrota jumiutunut naula. **(Figure 10)** Kiinnitä etukansi paikalleen ja kiristä ruuvit.

### HUOLTO:

1. Tarkista päivittäin, että turvasalpa ja liipaisin liikkuvat esteettä. Varmista ennen tarkistusta, että työkalu on irrotettu paineilmasta.
2. Kaikkien ruuvien on oltava tiukasti kiristettyjä. **(Figure 2)** Jos ruuvit ovat löystyneet, työkalun käyttö ei ole turvallista ja sen osat voivat rikkoutua. Ruiskuta ilma-

aukkoon kevyesti 2 tai 3 pisaraa öljyä.

3. Käytä vain teknisissä tiedoissa mainittua öljyä. Pidä työkalu puhtaana. Pyyhi se säännöllisesti kuivalla liinalla ja tarkista, onko siinä kuluneita osia. Estä säiliön liikkuvien osien kuluminen voitelemalla ne ajoittain. Älä käytä helposti syttyviä puhdistusaineita.
4. Älä liota työkaluja äläkä käytä luottimia, sillä ne voivat vahingoittaa työkalun O-renkaita ja muita arkoja osia. Käydä puhdasta, kuivaa ilmaa. Käytä kompressorin mieluiten ennen työkalun liittämistä. Muut kuin tässä kuvatut korjaukset on jätettävä koulutetun ammattilaisen tai valmistajan huollon tehtäväksi.

### VARAOSALUETTELO

Noudata paikallisia säädöksiä, kun hävität työkalun.

### PMP171 Varaosaluettelo (Figure 12)

Indeksi	Tuotekoodi	Kuvaus
A	5001346	Venttiili, sylinteri ja mäntäsarja
B	5001347	Varmistin ja liipaisinsarja
C	5001348	Lipassarja

## GWOŹDIARKA PNEUMATYCZNA PMP171

### Instrukcja obsługi - Tłumaczenie oryginału

PL

### DANE TECHNICZNE

Wielkość urządzenia	Wysokość	190 mm
	Długość	230 mm
	Szerokość	48 mm
	Waga bez gwoździa	0,95 kg
	Waga z najcięższymi gwoździami	0,96 kg
Wlot powietrza	1/4"	
Maks. dopuszczalne ciśnienie robocze admissible	8 bar	
Ciśnienie robocze	Minimalne	5 bar
	Maksymalne	7 bar
Układ wykonawczy	Wystrzał kontaktowy	
Złączone elementy złączne	Rapid 23P: 15 -> 35 mm	
Wymiary gwoździa	Ø0,64mm - 23Ga	
Pojemność zasobnika	150	
Zalecany olej pneumatyczny	Olej hydrauliczny ISO 46 lub odpowiednik	
Informacje dotyczące hałasu (EN 12549:1999)	LpA, 1s, d	70,9 dB
	niepewność	2,5 dB
	LwA, 1s, d	83,9 dB
	niepewność	2,5 dB
	LpC, szczytowe	109 dB
niepewność	2,5 dB	

Podane wartości są charakterystyczne dla urządzenia i nie dotyczą natężenia hałasu generowanego w miejscu użytkowania. Hałas w miejscu eksploatacji urządzenia zależy m.in. od środowiska roboczego, elementu wbijanego, jego podparcia oraz liczby uderzeń. Odpowiednie przygotowanie miejsca pracy umożliwi ograniczenie natężenia hałasu, na przykład poprzez umieszczenie elementu wbijanego na podporach dźwiękochłonnych.

Informacje dotyczące drgań (ISO 8662-11:1999)	Drgania	
	niepewność	2,24 m/s <sup>2</sup>

Podana wartość jest charakterystyczna dla urządzenia i nie dotyczy oddziaływania na układ dłoń-ramię w trakcie jego eksploatacji. Każde oddziaływanie na układ dłoń-ramię podczas użytkowania urządzenia będzie zależne m.in. od siły uchwytu, siły nacisku kontaktowego, kierunku roboczego, regulacji źródła energii, elementu wbijanego i jego podparcia.

### SYMBOLS

Poniżej pokazano symbole zastosowane w urządzeniu. Przed użyciem upewnij się, że rozumiesz ich znaczenie.



Przeczytaj uważnie etykiety narzędzi i instrukcję obsługi. Nieprzestrzeganie ostrzeżeń może spowodować poważne obrażenia ciała.



Operatorzy i inne osoby w miejscu pracy muszą nosić odporną na uderzenia ochronę oczu z osłonami bocznymi.



Operatorzy i inne osoby w miejscu pracy powinny nosić słuchawki ochronne.



Urządzenie ma możliwość pracy w trybie ostrzegawczym kontaktowego.



Nie należy używać narzędzia podczas pracy na wagach, schodach lub rusztowaniach, drabinach lub innych podobnych konstrukcjach, podczas zamykania pudeł i skrzyń, podczas instalacji systemu bezpieczeństwa transportu, np. w pojazdach lub wagonach.



W żadnym przypadku jako źródła zasilania dla urządzenia nie należy stosować tlenu, dwutlenku węgla ani żadnego gazu z butli.

## OGÓLNE OSTRZEŻENIA DOTYCZĄCE BEZPIECZEŃSTWA

1. **W celu zapewnienia osobistego bezpieczeństwa oraz prawidłowej obsługi i konserwacji narzędzia, należy przeczytać niniejszą instrukcję obsługi przed rozpoczęciem użytkowania urządzenia.**



- Zachowaj wszystkie ostrzeżenia i instrukcje na przyszłość.
- Urządzenie jest przeznaczone wyłącznie do użytku profesjonalnego. Nie należy używać go do innych celów. Nie jest przeznaczone do bezpośredniego wbijania elementów łączących na twardej powierzchni, takiej jak stal i beton.
- Użytkownik powinien ocenić konkretne zagrożenia wynikające z każdego zastosowania.
- Jakiegolwiek użycie poza przeznaczeniem tego narzędzia jest zabronione. Narzędzia do wbijania łączników z ciągłym uruchamianiem wystrzału kontaktowego lub uruchamianiem wystrzału kontaktowego mogą być stosowane wyłącznie do zastosowań produkcyjnych.
- Należy trzymać palce z daleko, gdy nie używa się urządzenia lub gdy zmienia się miejsce pracy.
- Różnorodne zagrożenia. Przed podłączeniem, odłączeniem, załadunkiem, obsługą, konserwacją, wymianą akcesoriów lub pracą w pobliżu narzędzia należy przeczytać ze zrozumieniem instrukcję. Nieprzestrzeganie tego może spowodować poważne obrażenia ciała.
- Trzymaj wszystkie części ciała, m.in. ręce i nogi, z dala od kierunku strzału i upewnij się, że element łączący nie może dostać się do części ciała.
- Podczas używania narzędzia należy pamiętać, że element łączący może się odkształcić i spowodować

obrażenia ciała.

- Trzymaj narzędzie mocno i przygotuj się na odrzut.
- Z urządzenia mogą korzystać jedynie technicznie wykwalifikowani operatorzy.
- Nie należy modyfikować urządzenia. Modyfikacje mogą zmniejszyć skuteczność środków bezpieczeństwa i zwiększyć ryzyko dla operatora i/lub osoby postronnej.
- Nie należy wyrzucać instrukcji obsługi.
- Nie używaj narzędzia, jeśli jest uszkodzone.
- Zachowaj ostrożność podczas obchodzenia się z elementami mocującymi, zwłaszcza podczas załadunku i rozładunku, ponieważ elementy te mają ostre punkty, które mogą spowodować obrażenia.
- Zawsze sprawdzaj urządzenie przed użyciem pod kątem pękniętych, źle połączonych lub zużytych części.
- Nie odchodź za daleko. Używaj wyłącznie w bezpiecznych miejscach. Zawsze utrzymuj równowagę i mocno stój na nogach.
- Trzymaj osoby postronne z daleka (podczas pracy w obszarze, w którym istnieje możliwość przejścia ludzi). Wyraźnie oznacz miejsce pracy.
- Nigdy nie kieruj narzędzia na siebie ani na innych.
- Nie należy opierać palca na spuście podczas podnoszenia narzędzia, poruszania się między obszarami roboczymi i pozycjami lub chodzenia, ponieważ spoczywający na spuście palec może prowadzić do niezamierzonego działania. W przypadku narzędzi z selektywnym uruchamianiem należy zawsze sprawdzić narzędzie przed użyciem, aby upewnić się, że wybrany został prawidłowy tryb pracy.
- Noś tylko takie rękawice, które zapewniają odpowiednią wycucie i bezpieczną kontrolę spustów i wszelkich urządzeń regulacyjnych.
- Podczas odkładania narzędzia, połóż je na płaskiej powierzchni. Jeśli używasz haka dołączonego do narzędzia, powieś na nim narzędzie w stabilnej pozycji.
- Nie działaj pod wpływem alkoholu, narkotyków i innych substancji odurzających.
- Nie należy używać narzędzia podczas pracy na wagach, schodach lub rusztowaniach, drabinach lub innych podobnych konstrukcjach, podczas zamykania pudeł i skrzyń, podczas instalacji systemu bezpieczeństwa transportu, np. w pojazdach lub wagonach.



### Zagrożenia związane z nabojami

- Narzędzie powinno być odłączone podczas rozładunku elementów łączących, dokonywania regulacji, usuwania zacięć lub wymiany akcesoriów.
- Podczas pracy należy uważać, aby łączniki prawidłowo wnikały w materiał i nie były odchylone/odrzucone w kierunku operatora i/lub osób postronnych.
- Podczas pracy zanieczyszczenia z przedmiotu obrabianego oraz systemu mocowania/układania mogą być usuwane.
- Podczas pracy z elektronarzędziami zawsze należy używać okularów ochronnych, aby chronić oczy przed urazami. Gogle muszą być zgodne z normą ANSI Z87.1 w USA, EN 166 w Europie lub AS/NZS 1336 w Australii/Nowej Zelandii. W Australii/Nowej Zelandii noszenie osłony twarzy w celu ochrony jest wymagane prawnie. Obowiązkiem pracodawcy jest wyegzekwowanie



użycia odpowiedniego wyposażenia ochronnego przez operatorów narzędzi i inne osoby w bezpośrednim obszarze pracy.

5. Ryzyko dla innych powinno być oceniane przez operatora.
6. Należy uważać na narzędzia bez kontaktu z materiałem obrabianym, ponieważ mogą zostać przypadkowo zwolnione i spowodować obrażenia u operatora i/lub osoby postronnej.
7. Upewnij się, że narzędzie jest zawsze bezpiecznie zamocowane na przedmiocie obrabianym i nie może się ześlizgnąć.
8. Chroń głowę i noś ochronę słuchu, aby chronić uszy przed hałasem. Noś również lekką, ale nie luźną odzież. Rękawy powinny być zapięte na guzik lub zawinięte. Nie należy nosić krawata.



### Zagrożenia podczas użytkowania

1. Trzymaj urządzenie prawidłowo: bądź przygotowany do przeciwdziałania nagłym i normalnym ruchom, takim jak odrzut.
2. Utrzymuj zrównoważoną pozycję ciała i zabezpiecz stopy.
3. Należy stosować odpowiednie okulary ochronne oraz zalecane rękawice i odzież ochronną.
4. Należy nosić odpowiednią ochronę słuchu.
5. Używaj właściwego źródła energii zgodnie z instrukcją obsługi.
6. Nie należy używać narzędzia na ruchomych platformach lub z tyłu ciężarówek. Nagły ruch platformy może spowodować utratę kontroli nad narzędziem i obrażenia ciała.
7. Należy zawsze zakładać, że narzędzie zawiera elementy łączące.
8. Nie należy spieszyć się z pracą, ani używać siły. Należy ostrożnie obchodzić się z narzędziem.
9. Uważaj na stopy i utrzymuj równowagę pracując z narzędziem. Upewnij się, że nie ma nikogo poniżej podczas pracy na wysokości oraz zabezpiecz przewód, aby zapobiec niebezpieczeństwu w przypadku nagłego szarpnięcia lub złapania.
10. Na dachach i innych wysokich miejscach przesuwaj elementy łączące do przodu. Łatwo stracić równowagę, gdy przesuwa się elementy łączące do tyłu. Podczas wbijania elementów łączących na powierzchniach prostopadłych należy pracować od góry do dołu. W ten sposób można wykonywać pracę z mniejszym zmęczeniem.
11. Łącznik może zostać wygięty lub narzędzie może się zaciąć, jeśli jeden łącznik omyłkowo zostanie nałożony na drugi lub zostanie wbity w sełk. Łącznik może zostać odrzucony i może uderzyć kogoś innego lub samo narzędzie może reagować niebezpiecznie. Ostrożnie umieszczaj elementy łączące.
12. Nie pozostawiaj naładowanego narzędzia lub kompresora powietrza przez dłuższy czas na słońcu. Upewnij się, że kurz, piasek, wióry i ciała obce nie dostaną się do narzędzia w miejscu, w którym się znajdują.
13. Nigdy nie próbuj wbijać łączników zarówno od wewnątrz, jak i od zewnątrz jednocześnie. Elementy łączące mogą się przebić i/lub odlecieć, stwarzając poważne zagrożenie.

### Zagrożenia związane z powtarzającymi się ruchami

1. Podczas używania narzędzia przez dłuższy czas operator może odczuwać dyskomfort w dłoniach, ramionach, barkach, szyi lub innych częściach ciała.
2. Podczas pracy operator powinien przyjąć odpowiednią, ale ergonomiczną postawę. Utrzymuj równowagę i unikaj niewygodnej i nierównoważonej postawy.
3. Jeśli u operatora pojawiają się objawy, takie jak uporczywy lub powtarzający się dyskomfort, ból, mrowienie, drętwienie, uczucie pieczenia lub sztywności, nie należy ignorować takich sygnałów ostrzegawczych. Operator powinien skonsultować się z wykwalifikowanym pracownikiem służby zdrowia, w celu omówienia ogólnych działań.
4. Długotrwałe używanie narzędzia może powodować powtarzające obrażenia powstające w wyniku odrzutu urządzenia.
5. Aby unikać powtarzających się obrażeń, operator nie powinien sięgać zbyt daleko ani używać nadmiernej siły. Dodatkowo operator powinien odpoczywać, gdy poczuje zmęczenie.
6. Należy przeprowadzić ocenę ryzyka dotyczącą zagrożeń związanych z powtarzalnym ruchem. Powinna koncentrować się na zaburzeniach układu mięśniowo-szkieletowego i opierać się przede wszystkim na założeniu, że zmniejszenie zmęczenia skutecznie wpływa na zmniejszenie zaburzeń.

### Zagrożenia związane z akcesoriami i materiałami eksploatacyjnymi

1. Przed wymianą akcesoriów bądź zmianami, takimi jak kontakt z obrabianym materiałem lub dokonaniem jakichkolwiek regulacji, należy odłączyć urządzenie od źródła energii, np. powietrza, gazu lub akumulatora, w zależności od przypadku.
2. Należy stosować wyłącznie rozmiary i rodzaje akcesoriów dostarczane przez producenta.
3. Należy stosować wyłącznie smary zalecane w niniejszej instrukcji.

### Zagrożenia w miejscu pracy

1. Poślizgnięcia, potknięcia i upadki są głównymi przyczynami obrażeń w miejscu pracy. Należy pamiętać o śliskich powierzchniach spowodowanych użyciem narzędzia, a także niebezpieczeństwie potknięcia o przewód doprowadzający powietrze.
2. Zachowaj szczególną ostrożność w nieznanym otoczeniu. Mogą występować dodatkowe zagrożenia, takie jak prąd i inne przewody zasilające.
3. Narzędzie nie jest przeznaczone do użytku w miejscach zagrożonych wybuchem i nie jest odizolowane od kontaktu z energią elektryczną.
4. Upewnij się, że nie ma kabli elektrycznych, rur gazowych itp., których uszkodzenie przy użyciu narzędzia, mogłyby spowodować zagrożenie.
5. Miejsce pracy należy utrzymać w czystości i dobrze oświetlone. Zaśmiecone lub zaciemnione miejsca mogą być przyczyną wypadków.
6. Mogą istnieć lokalne przepisy dotyczące hałasu, których należy przestrzegać, utrzymując poziom hałasu w określonych granicach. W niektórych przypadkach należy stosować zasłony w celu ograniczenia hałasu.

### Zagrożenia związane z pyłem i spalinami

1. Zawsze sprawdzaj otoczenie. Powietrze wydostające się z narzędzia, może zawierać kurz lub przedmioty, które mogą uderzyć operatora i/lub osoby postronne.
2. Skieruj wydmuch tak, aby zminimalizować zakłócenia w środowisku wypełnionym pyłem.
3. Jeśli pył lub przedmioty są emitowane w obszarze roboczym, należy jak najbardziej zmniejszyć emisję, aby zredukować zagrożenia dla zdrowia i ryzyko obrażeń.
5. Nigdy nie kieruj sprężonego powietrza na siebie ani nikogo innego.
6. Uderzenie przewodu może powodować poważne obrażenia. Zawsze sprawdzaj czy nie ma uszkodzonych przewodów lub złąček.
7. Nigdy nie noś narzędzia pneumatycznego za przewód.
8. Nigdy nie ciągnij narzędzia pneumatycznego za przewód.

### Zagrożenia związane z hałasem

1. Niezabezpieczona ekspozycja na wysoki poziom hałasu może spowodować trwałe, upośledzający ubytek słuchu i inne problemy takie, jak szumy uszne (dzwonienie, brzęczenie, gwizdanie lub szumienie w uszach).
2. Należy przeprowadzić ocenę ryzyka w zakresie zagrożeń związanych z hałasem w miejscu pracy i wdrożyć odpowiednie środki kontroli tych zagrożeń.
3. Odpowiednie działania kontrolne w celu zmniejszenia ryzyka mogą obejmować np. użycie materiałów tłumiących, aby zapobiec "dzwonieniu" elementów roboczych.
4. Używaj odpowiedniej ochrony słuchu.
5. Należy obsługiwać i konserwować narzędzie zgodnie z zaleceniami zawartymi w niniejszej instrukcji, aby zapobiec niepotrzebnemu wzrostowi poziomu hałasu.
6. Podejmij działania mające na celu redukcję hałasu, np. umieszczenie elementów obrabianych na wspornikach tłumiących dźwięk.

### Zagrożenia związane z wibracjami

1. Emisja drgań zależy od siły chwytania, siły nacisku spustu, kierunku pracy, regulacji dopływu energii, przedmiotu obrabianego, podpory przedmiotu obrabianego. Należy przeprowadzić ocenę ryzyka związanego z wibracjami i wdrożyć odpowiednie środki kontroli tych zagrożeń.
2. Narażenie na wibracje może spowodować uszkodzenie nerwów i układu krwionośnego rąk i ramion.
3. Należy nosić ciepłą odzież podczas pracy w niskich temperaturach, trzymać ręce ciepłe i suche.
4. Jeśli odczuwasz drętwienie, mrowienie, ból lub wybielanie skóry palców i dłoni, zwróć się o poradę do wykwalifikowanego specjalisty w dziedzinie medycy pracy w zakresie ogólnych czynności.
5. Należy obsługiwać i konserwować narzędzie zgodnie z zaleceniami zawartymi w niniejszej instrukcji, aby zapobiec niepotrzebnemu wzrostowi poziomu wibracji.
6. Należy trzymać urządzenie w lekkim, bezpiecznym uchwycie, ponieważ ryzyko związane z wibracjami jest zazwyczaj większe, gdy siła uchwytu jest większa.

### Dodatkowe ostrzeżenia dotyczące narzędzi pneumatycznych

1. Sprężone powietrze może spowodować poważne obrażenia ciała.
2. Zawsze należy odciąć dopływ powietrza i odłączyć narzędzie od dopływu powietrza, gdy nie jest używane.
3. Zawsze należy odłączyć narzędzie od zasilania sprężonym powietrzem przed wymianą akcesoriów, regulacją i/lub naprawą, gdy urządzenie znajduje się poza obszarem roboczym lub znajduje się w innym miejscu.
4. Trzymaj palce z dala od spustu gdy nie używasz urządzenia i gdy przechodzisz z jednej pozycji roboczej do drugiej.

9. Podczas korzystania z narzędzia pneumatycznego nigdy nie przekraczaj maksymalnego ciśnienia roboczego ps max.
10. Narzędzia pneumatyczne powinny być zasilane wyłącznie sprężonym powietrzem o najniższym ciśnieniu wymaganym w procesie roboczym w celu zmniejszenia hałasu i drgań oraz zminimalizowania zużycia.
11. Stosowanie tlenu lub gazów palnych do obsługi narzędzi pneumatycznych stwarza zagrożenie pożarowe i wybuchowe.
12. Zachowaj ostrożność podczas używania narzędzi pneumatycznych, ponieważ narzędzie może stać się zimne, wpływając na przyrzeczność i kontrolę.



### Dodatkowe ostrzeżenia dotyczące narzędzi z możliwością uruchamiania wystrzału kontaktowego

1. Nie należy opierać palca na spuście podczas podnoszenia narzędzia, poruszania się między obszarami roboczymi i pozycjami oraz podczas chodzenia, ponieważ oparcie palca na spuście może prowadzić do niezamierzonego działania.
2. Jeżeli to urządzenie posiada selektywne uruchamianie wystrzału kontaktowego, ciągle uruchamianie wystrzału kontaktowego przez selektory trybu aktywacji lub jest narzędziem uruchamiania wystrzału kontaktowego czy ciąglego uruchamiania wystrzału kontaktowego i jest oznaczone symbolem obok, to jest przeznaczone do zastosowań produkcyjnych, takich jak palety, meble, domy szkieletowe, tapicerka i okładziny.
3. Nie należy uruchamiać w tym urządzeniu wystrzału kontaktowego w takich zastosowaniach, jak zamykanie skrzynek lub skrzyń oraz montowanie systemów bezpieczeństwa transportu na przyczepach i samochodach ciężarowych.
4. Ostrzeżenie - urządzenie może być używane tylko w bezpiecznych miejscach pracy.
5. Należy zachować ostrożność podczas zmiany miejsca pracy.



### ŁADOWANIE

1. Odłączyć urządzenie od zasilania sprężonym powietrzem. **(Figure 3)**
2. Zwolnić magazynek, naciskając dźwignię zatraskową. **(Figure 4)**
3. Ładowanie druciaków: Trzymać gwoździarkę skierowaną w dół i załadować taśmę gwoździ do naboju, z ostrzami skierowanymi ku dołowi. **(Figure 5)** Nacisnąć szynę do momentu jej zatrzaśnięcia się. **(Figure 6)**
4. Stosować wyłącznie zalecane elementy łączące (zobacz dane techniczne).
5. Narzędzie i elementy łączące podane w instrukcji

obsługi należy traktować jako jeden system bezpieczeństwa.

## UŻYTKOWANIE NARZĘDZIA

1. Trzymać urządzenie z dala od siebie i innych osób oraz podłączyć je do zasilania sprężonym powietrzem. **(Figure 1)**
2. Urządzenie użytkuje się przy najniższym ciśnieniu niezbędnym dla danego zastosowania. Zmniejsza to natężenie hałasu, zużycie części i energii.
3. Docisnąć końcówkę narzędzia do elementu wbijanego, który ma być zamocowany, a następnie nacisnąć spust w celu uwolnienia zszywek. **(Figure 7)**  
Wyregulować minimalne ciśnienie, które jest niezbędne do wprowadzania elementów złącznych w materiał. Następnie wykonać kilka prób, rozpoczynając od najniższego ciśnienia.
4. Sprawdzić czy element mocujący został wbity w przedmiot obrabiany zgodnie z wymaganiami:
  - jeżeli łącznik wystaje, należy zwiększać ciśnienie powietrza w krokach co 0,5 bara, sprawdzając wynik po każdej nowej regulacji;
  - jeżeli łącznik został wbity zbyt mocno, należy zmniejszać ciśnienie powietrza w krokach co 0,5 bara, aż wynik będzie zadowalający.
5. W każdym przypadku należy starać się pracować przy możliwie najniższym ciśnieniu powietrza.
6. Należy trzymać narzędzie podczas pracy w taki sposób, aby nie doszło do obrażeń głowy lub ciała, w wyniku zakłócenia w dostawie energii lub w twardych obszarach w obrabianym przedmiocie.
7. Narzędzie należy odłączyć od układu sprężonego powietrza w celu transportu, szczególnie tam, gdzie używane są drabiny lub gdy podczas ruchu przyjmowana jest nietypowa postawa ciała.
8. Narzędzie należy przenosić w miejscu pracy używając wyłącznie uchwytu i nigdy przy włączonym spuście.
9. Uwzględnić warunki w miejscu pracy. Elementy złączne mogą wnikać w cienkie elementy lub zsuwać się z narożników i krawędzi elementów, narażając tym samym innych na niebezpieczeństwo.
10. Dla osobistego bezpieczeństwa należy stosować środki ochrony oczu i słuchu.
11. Spust i jarzmo bezpieczeństwa muszą być uruchamiane przy każdej operacji, przy czym kolejność uruchamiania operacji nie jest określona. W przypadku powtarzających się czynności wbijania, wystarczy, gdy spust pozostanie włączony, a następnie zostanie uruchomione jarzmo bezpieczeństwa, albo odwrotnie.
12. Unikaj uruchamiania narzędzia gdy magazynek jest pusty.
13. Uszkodzone lub nieprawidłowo działające narzędzie musi być natychmiast odłączone od zasilania sprężonym powietrzem i przekazane specjalistom do kontroli.
14. W przypadku dłuższych przerw w pracy lub po zakończeniu zmiany roboczej należy odłączyć narzędzie od zasilania sprężonym powietrzem oraz zaleca się opróżnienie magazynku.
15. Złącza i przewody doprowadzające sprężone powietrze należy zabezpieczyć przed zanieczyszczeniem. Wnikanie gruboziarnistego pyłu, wiórów, piasku itp. może spowodować nieszczelność i uszkodzenia narzędzia i złączy.

## SYSTEM SPRĘŻONEGO POWIETRZA

1. Prawidłowe działanie narzędzia wymaga przefiltrowanego, suchego <i>i nasmarowanego</i> powietrza w odpowiednich ilościach. **(Figure 11)**
2. Jeżeli ciśnienie powietrza w układzie przewodów przekracza maksymalne dopuszczalne ciśnienie narzędzia, w przewodzie zasilającym narzędzie, należy dodatkowo zamontować zawór redukcyjny, a następnie zawór bezpieczeństwa za nim.
3. Narzędzie należy podłączyć do źródła sprężonego powietrza za pomocą odpowiedniego przewodu ciśnieniowego wyposażonego w szybkozłącza. **(Figure 1)**
4. Kompresor powinien być odpowiednio zwymiarowany pod względem ciśnienia wyjściowego i wydajności (przepływu objętościowego) dla przewidywanego zużycia. Przekroje linii, które są zbyt małe w stosunku do długości linii (rury i przewody), a także przeciążenia sprężarki, mogą spowodować spadki ciśnienia.
5. Trwale ułożone rurociągi sprężonego powietrza powinny mieć średnicę co najmniej 19mm i odpowiadającą jej dużą średnicę, w przypadku stosunkowo długich rurociągów lub wielu użytkowników.
6. Przewody sprężonego powietrza należy układać w taki sposób, aby tworzyły gradient (najwyższy punkt w kierunku do sprężarki). Łatwo dostępne separatory wody powinny być zamontowane w najniższych punktach.
7. Złącza dla użytkowników powinny być połączone z przewodami od góry.
8. Punkty podłączenia narzędzi powinny być wyposażone w urządzenie do serwisowania sprężonego powietrza (filtr/oddzielacz wody/olejarkę) bezpośrednio w punkcie połączenia.
9. Olejarki należy codziennie sprawdzać i w razie potrzeby uzupełniać zalecany gatunkiem oleju (patrz DANE TECHNICZNE). W przypadku stosowania przewodów o długości ponad 10m, nie można zagwarantować doprowadzenia oleju do narzędzia. Dlatego zalecamy dodawanie od 2 do 5 kropli (w zależności od obciążenia narzędzia) rekomendowanego oleju (patrz DANE TECHNICZNE) poprzez wlot powietrza do narzędzia lub olejarkę przymocowaną bezpośrednio do narzędzia.

## USUWANIE USTEREK I KONSERWACJA

1. W przypadku zakleszczenia się zszywki odłączyć narzędzie od źródła zasilania. **(Figure 3)**
2. Zwolnić magazynek i zsunąć szynę w tył. **(Figure 8)** Usunąć zakleszczone elementy złączne.
3. Lub zwolnij dwie śruby przedniej pokrywy i wyciągnij ją. **(Figure 9)** Usuń zacięty sztyft. **(Figure 10)** Przyłóż przednią pokrywę i dokręć śruby.

## KONSERWACJA:

1. Po odłączeniu narzędzia od zasilania sprężonym powietrzem przeprowadzić codzienną kontrolę w celu sprawdzenia swobody ruchu jarzma bezpieczeństwa i spustu.
2. Wszystkie wkrety powinny być pewnie umocowane. **(Figure 2)**  
Poluzowane wkrety mogą doprowadzić do niebezpieczeństwa i uszkodzenia części. Wprowadzić

- лекто 2 lub 3 krople oleju do wlotu powietrza.
3. Stosować wyłącznie olej zalecany w części dane techniczne. Utrzymywać urządzenie w czystości. Wycierać je regularnie suchą szmatką i sprawdzać pod kątem zużycia. Od czasu do czasu smarować ruchome części magazynku, aby zapobiegać ich zużyciu.
  4. Nie stosować łatwopalnych roztworów czyszczących. Nie namaczać w rozpuszczalnikach ani nie stosować rozpuszczalników, ponieważ mogą uszkadzać pierścienie typu o-rings i inne wrażliwe części narzędzia. Stosować czyste, suche powietrze. Preferuje się stosowanie zespołu przygotowania sprężonego powietrza po stronie dopływowej do przyłącza urządzenia. Naprawy inne niż opisane w niniejszym dokumencie powinny być wykonywane

wyłącznie przez przeszkolony, wykwalifikowany personel lub serwis obsługi posprzedażnej producenta.

### LISTA CZĘŚCI ZAMIENNYCH

Podczas użycia narzędzia należy przestrzegać lokalnych przepisów.

#### PMP171 Lista części zamiennych (Figure 12)

Indeks	Nr. Art.	Opis
A	5001346	Głowica, cylinder i tłok
B	5001347	Bezpieczny system wyzwalacza
C	5001348	Magazynek

## ПНЕВМАТИЧЕСКИЙ ГВОЗДЕЗАБИВАТЕЛЬ PMP171

### Руководство по эксплуатации - перевод с оригинала



#### ТЕХНИЧЕСКИЕ СПЕЦИФИКАЦИИ

Размеры	Высота	190 mm
	Длина	230 mm
	Ширина	48 mm
	Масса без гвоздей	0,95 kg
	Масса с самыми тяжелыми гвоздями	0,96 kg
Воздухприемник		1/4"
Максимально допустимое рабочее давление		8 bar
Рабочее давление	Мин.	5 bar
	Макс.	7 bar
Система срабатывания	Срабатывание при контакте с удержанием курка	
Рекомендуемые крепежные элементы	Rapid 23P: 15 -> 35 mm	
Параметры гвоздей	Ø0,64mm - 23Ga	
Вместимость магазина	150	
Рекомендуемое масло	Гидравлическое масло ISO 46 или эквивалент	
	LpA, 1s, d	70,9 dB
	неопределенность	2,5 dB
	LwA, 1s, d	83,9 dB
	неопределенность	2,5 dB
Информация по уровню шума (EN 12549:1999)	LpC, пик	109 dB
	неопределенность	2,5 dB

операций. Оснастка рабочего места может способствовать снижению производимого шума, например, при использовании звукопоглощающей опорной поверхности.

Вибрация (ISO 8662-11:1999)	Вибрация	2,24 m/s <sup>2</sup>
	неопределенность	0,332 m/s <sup>2</sup>

Данное значение является технической характеристикой инструмента и не соответствует степени воздействия на руку оператора во время работы. Воздействие на руку оператора при использовании инструмента зависит, например, от усилия руки при держании инструмента, величины контактного давления, рабочего направления, изменения подаваемой мощности, рабочего изделия, опоры рабочего изделия.

#### СИМВОЛЫ

Далее приведены символы, используемые на оборудовании. Перед использованием убедитесь, что вы понимаете их значение.



Ознакомьтесь с маркировкой инструмента и руководством по эксплуатации. Несоблюдение следующих предупреждений может привести к тяжелым травмам.



Операторы и другие лица на рабочем месте должны пользоваться противоударными защитными очками с боковыми щитками.



Операторы и другие лица на рабочем месте должны пользоваться средствами защиты органов слуха.

Данные значения являются техническими характеристиками инструмента и не соответствуют уровню шума, создаваемому на месте использования. Шум на месте использования инструмента зависит, к примеру, от рабочей среды, рабочего изделия, состояния опоры рабочего изделия и интенсивности





Инструмент имеет возможность работы в режиме контактного срабатывания



Не используйте инструмент, если вы находитесь на весах, лестнице или строительных лесах, лестницах-стремянках или подобных конструкциях, например, планках крыши, при сбивании коробов или ящиков, при установке транспортных систем безопасности, например, на транспортных средствах и вагонетках.



Никогда не используйте в качестве источника энергии для этого инструмента кислород, углекислый газ или любой другой газ в баллонах.

## ОБЩИЕ МЕРЫ БЕЗОПАСНОСТИ

- С целью обеспечения личной безопасности и нормального функционирования инструмента перед началом работы с инструментом прочтите эту инструкцию по эксплуатации.**
- Сохраните все предупреждения и инструкции по эксплуатации на будущее.
- Инструмент предназначен исключительно для профессионального использования. Не используйте его для каких-либо иных целей. Он не предназначен для закрепления крепежных деталей непосредственно на твердой поверхности, такой как сталь и бетон.
- Пользователь должен оценить конкретные риски, которые присутствуют при каждом использовании.
- Любое другое использование, кроме целевого использования данного инструмента, запрещено. Инструменты для забивания крепежных деталей с непрерывным контактным срабатыванием или контактным срабатыванием должны использоваться только в производственном процессе.
- Не оставляйте пальцы на курковом выключателе, когда инструмент не используется и при перемещении его из одного рабочего положения в другое.
- Множественные опасности. Прочитайте и убедитесь, что вы понимаете инструкции по технике безопасности перед подключением, отключением, загрузкой, эксплуатацией, обслуживанием, заменой принадлежностей или работой рядом с инструментом. Несоблюдение этого требования может привести к тяжелым травмам.
- Держите все части тела, например, руки, ноги и т. п., подальше от направления выпуска и следите за тем, чтобы крепежная деталь не могла проникнуть сквозь рабочую деталь в части тела.
- При использовании инструмента учитывайте, что



- крепежная деталь может изменить направление движения и стать причиной травмы.
- Крепко удерживайте инструмент и будьте готовы справиться с отдачей.
  - Для забивания крепежных деталей инструмент должны использовать только технически квалифицированные операторы.
  - Не модифицируйте инструмент для забивания крепежных деталей. Модификации могут снизить эффективность мер безопасности и увеличить риски для оператора и/или постороннего лица.
  - Не выбрасывайте инструкцию по эксплуатации.
  - Не используйте инструмент, если инструмент был поврежден.
  - Будьте осторожны при обращении с крепежными деталями, особенно при загрузке и разгрузке, так как крепежные детали имеют острые края, что может привести к травме.
  - Всегда проверяйте инструмент перед использованием на наличие сломанных, неправильно соединенных или изношенных деталей.
  - Не допускайте помех при работе. Используйте только в безопасном рабочем месте. Всегда обеспечивайте надежную опору и удерживайте равновесие.
  - Не допускайте присутствия посторонних лиц (при работе в местах, где существует вероятность прохода людей). Четко отметьте вашу рабочую зону.
  - Никогда не направляйте инструмент на себя или другое лицо.
  - Не кладите палец на курковый выключатель при поднятии инструмента, перемещении между рабочими зонами и местами или при ходьбе, так как положение пальца на курковый выключатель может привести к непреднамеренному срабатыванию. Для инструментов с селективной активацией всегда проверяйте инструмент перед использованием, чтобы убедиться, что выбран правильный режим.
  - Надевайте только перчатки, которые обеспечивают адекватные тактильные ощущения узлов управления и безопасное управление курковыми выключателями и любыми регулировочными устройствами
  - После завершения использования инструмента положите его на плоскую поверхность. Если вы используете крюк, которым оснащен инструмент, надежно закрепите инструмент на устойчивой поверхности.
  - Не работайте с инструментом, находясь под воздействием алкоголя, лекарств и т. д.
  - Не используйте инструмент, если вы находитесь на весах, лестнице или строительных лесах, лестницах-стремянках или подобных конструкциях, например, планках крыши, при сбивании коробов или ящиков, при установке транспортных систем безопасности, например, на транспортных средствах и вагонетках.



### Опасности, связанные с движущимися частями

- Инструмент для забивания крепежных деталей при разгрузке, регулировке, устранении замятий или

- смене принадлежностей должен быть отключен.
- Во время работы следите за тем, чтобы крепежные детали правильным образом проникали в материал и не могли отклоняться/непреднамеренно выстреливаться в направлении оператора и/или посторонних лиц.
  - Во время работы с рабочей детали и системы крепления/сортировки может выбрасываться мусор.
  - При использовании электроинструментов всегда надевайте защитные очки, чтобы защитить глаза от травм. Защитные очки и защитный щиток должны соответствовать требованиям ANSI Z87.1 в США, EN 166 в Европе или AS/NZS 1336 в Австралии/Новой Зеландии. В Австралии/Новой Зеландии в соответствии с требованиями также необходимо носить защитную маску для лица. За обеспечение обязательного использования оператором и другими лицами в непосредственной близости к месту проведения работ соответствующего защитного оборудования отвечает работодатель.
  - Риски для других лиц должен оценивать оператор.
  - Будьте осторожны с инструментами без контакта с рабочей деталью, так как они могут непреднамеренно выстрелить и нанести травму оператору и/или постороннему лицу.
  - Убедитесь, что инструмент всегда надежно закреплен на рабочей детали и не может соскользнуть.
  - Используйте средства защиты органов слуха от шума и носите защитный головной убор. Носите легкую, но не свободную одежду. Рукава необходимо застегнуть или завернуть. Запрещается носить галстук.



### Операционные опасности

- Держите инструмент правильно: будьте готовы противостоять таким обычным или внезапным движениям, как отдача.
- Обеспечьте сбалансированное положение тела и надежную опору.
- Следует использовать соответствующие защитные очки и рекомендованные соответствующие перчатки и защитную одежду.
- Должны использоваться соответствующие средства защиты органов слуха.
- Используйте правильный источник энергии, как указано в инструкции по эксплуатации.
- Не используйте инструмент на подвижных платформах или в кузовах грузовиков. Внезапное движение платформы может привести к потере контроля над инструментом и стать причиной травмы.
- Всегда помните, что инструмент содержит крепежные детали.
- Во время работы не спешите и не прикладывайте к инструменту чрезмерную силу. Обращайтесь с инструментом осторожно.
- Во время работы с инструментом необходимо обеспечить надежную опору и удерживать равновесие. Во время работы на возвышении убедитесь, что внизу нет людей, и закрепите воздушный шланг таким образом, чтобы избежать

опасности в случае неожиданного толчка или рывка.

- Во время работы на крыше или в других высоко расположенных местах забивайте крепежные детали по мере своего продвижения вперед. Если забивать крепежные детали, двигаясь спиной вперед, можно легко потерять опору. В случае забивания крепежных деталей в вертикальную поверхность начинайте работу сверху и продвигайтесь вниз. Выполнив работу в таком порядке, вы будете меньше уставать.
- Если ошибочно забить одну крепежную деталь поверх другой или забить ее на месте сучка на древесине, крепежная деталь может согнуться или может заклинить инструмент. Крепежная деталь может вылететь и травмировать постороннего человека, либо сам инструмент может опасно отсочинить. Тщательно выбирайте место для забивания крепежных деталей.
- Не оставляйте заряженный инструмент или воздушный компрессор под давлением на долгое время на солнце. Не допускайте попадания в инструмент в месте, где вы его оставляете, пыли, песка, стружки и посторонних предметов.
- Никогда не пытайтесь забивать крепежные детали одновременно как изнутри, так и снаружи. Крепежные детали могут пробить рабочую поверхность и/или улететь, вызвав серьезную опасность.

### Опасности, связанные с повторяющимися движениями

- При длительном использовании инструмента оператор может испытывать дискомфорт в руках, плечах, шее или других частях тела.
- При использовании инструмента оператор должен принять подходящее, но эргономичное положение. Обеспечьте надежную опору и избегайте неудобных или несбалансированных поз.
- Если оператор испытывает такие симптомы, как постоянный или повторяющийся дискомфорт, боль, биение, ноющая боль, покалывание, онемение, ощущение жжения или скованность, не игнорируйте эти тревожные признаки. Оператор должен проконсультироваться с квалифицированным медицинским работником относительно общих действий.
- Нервное использование инструмента может привести к травмам, вызванных повторяющимися движениями, из-за отдачи, создаваемой инструментом.
- Во избежание травм, вызванных повторяющимися движениями, оператор не должен перегружаться или применять чрезмерную силу. Кроме того, при ощущении усталости оператор должен отдохнуть.
- Проведите оценку риска опасностей от повторяющихся движений. Он должен ориентироваться на мышечно-скелетные расстройства и основываться преимущественно на предположении, что снижение усталости во время работы является эффективным для лечения расстройств.

### Опасности, связанные со вспомогательными и расходными материалами

- Отключите подачу энергии на инструмент,

- например, воздуха, газа или аккумулятора, прежде чем менять/заменять принадлежности, такие как контакт рабочей детали, или выполнять какие-либо регулировки.
- Используйте только те размеры и типы принадлежностей, которые предоставляются производителем.
  - Используйте только смазочные материалы, рекомендованные в этой инструкции по эксплуатации.

### **Опасности на рабочем месте**

- Поскальзывание, спотыкание и падение являются основными причинами травм на рабочем месте. Остерегайтесь скользких поверхностей, вызванных использованием инструмента, а также опасностей спотыкания о шланг подачи воздуха.
- В непривычной обстановке действуйте с дополнительной осторожностью. Могут существовать скрытые опасности, такие как электрические или иные линии коммутаций.
- Этот инструмент не предназначен для использования в потенциально взрывоопасных средах и не является изолированным при контактировании с электричеством.
- Убедитесь в отсутствии электрических кабелей, газовых труб и т. д., которые при использовании инструмента могут привести к опасности в случае повреждения.
- Рабочее место должно быть чистым и хорошо освещенным. Захламленное или темное рабочее место часто является причиной возникновения несчастных случаев.
- Могут действовать местные нормативные положения, касающиеся шума, которые необходимо соблюдать, не превышая разрешенный уровень шума. В некоторых случаях для шумоподавления в пределах помещения, в котором выполняется работа, следует использовать ставни.

### **Опасности, связанные с пылью и выпуском газов**

- Перед использованием воздуходувки для удаления пыли обязательно убедитесь в отсутствии людей поблизости. На оператора и/или постороннее лицо могут попасть пыль и другие предметы, сдутые воздуходувкой.
- Направляйте выпускную трубу таким образом, чтобы минимизировать воздействие пыли в загрязненной среде.
- Если пыль или другие предметы выбрасываются в рабочую зону, максимально уменьшите выбросы, чтобы снизить опасность для здоровья и риск получения травм.

### **Шумовые опасности**

- Воздействие высоких уровней шума в отсутствие средств защиты может привести к необратимым нарушениям, потере слуха и другим проблемам, таким как шум в ушах (звон, жужжание, свист или гул в ушах).
- Проведите оценку риска, касающегося опасностей шума в рабочей зоне, и примите соответствующие этим опасностям необходимые меры.
- Необходимые для снижения опасности меры могут включать такие действия, как демпфирование

материалов, чтобы предотвратить «звон» рабочих деталей.

- Используйте соответствующие средства защиты органов слуха.
- Чтобы избежать ненужного увеличения уровня шума, эксплуатируйте и обслуживайте инструмент таким образом, как это рекомендовано в этих инструкциях.
- Примите меры по снижению шума, например, поместив рабочие детали на звукопоглощающие опоры.

### **Опасности, связанные с вибрацией**

- Уровень вибрации во время работы зависит от силы хвата, силы контактного давления, рабочего направления, регулировки подачи энергии, рабочей детали, опоры рабочей детали. Проведите оценку риска, касающегося опасностей вибрации, и примите соответствующие этим опасностям необходимые меры.
- Воздействие вибрации может привести к нарушению иннервации и кровоснабжения рук и кистей.
- При работе в холодных условиях носите теплую одежду, держите руки в тепле и сухости.
- Если вы ощущаете онемение, покалывание, боль или побеление кожи на пальцах или руках, обратитесь за медицинской помощью к квалифицированному специалисту по гигиене труда относительно общих рекомендаций.
- Чтобы избежать ненужного увеличения уровня вибрации, эксплуатируйте и обслуживайте инструмент таким образом, как это рекомендовано в этих инструкциях.
- Держите инструмент легким, но надежным хватом, потому что риск вибрации обычно выше, когда выше сила захвата.

### **Дополнительные предупреждения для пневматических инструментов**

- Сжатый воздух может привести к тяжелым травмам.
- Всегда отключайте подачу воздуха и отсоединяйте инструмент от системы подачи воздуха, когда он не используется.
- Всегда отсоединяйте инструмент от источника сжатого воздуха перед сменой принадлежностей, регулировкой и/или ремонтом, при перемещении из одной рабочей зоны в другую.
- Не оставляйте пальцы на курковом выключателе, когда инструмент не используется и при перемещении из одного рабочего положения в другое.
- Никогда не направляйте сжатый воздух на себя или кого-либо еще.
- Сползание шланга со штуцера может привести к серьезным травмам. Всегда проверяйте, нет ли поврежденных или ослабленных шлангов или фитингов.
- Никогда не переносите пневматический инструмент, держась за шланг.
- Никогда не тяните пневматический инструмент, держась за шланг.
- При использовании пневматического инструмента не превышайте максимальное рабочее давление.

10. Пневматические инструменты должны приводиться в действие только сжатым воздухом при минимальном давлении, необходимом для рабочего процесса, чтобы снизить шум и вибрацию и минимизировать износ.
11. Использование кислорода или горючих газов для работы пневматических инструментов создает опасность пожара и взрыва.
12. При использовании пневматических инструментов будьте внимательны, так как инструмент может стать холодным, что может повлиять на хват и способность его контролировать.



### Дополнительные предупреждения для инструмента с возможностью контактного срабатывания

1. Не кладите палец на курковый выключатель при поднятии инструмента, перемещении между рабочими зонами и местами или при ходьбе, так как положение пальца на курковый выключатель может привести к непреднамеренному срабатыванию.
2. Если данный инструмент при помощи селектора может переключаться в режим срабатывания при контакте с материалом и нажатием курка или в режим срабатывания при контакте с материалом с удержанием курка, либо работает в режиме одиночных / многократных выстрелов при контакте с материалом (обозначен знаком рядом), он предназначен для промышленного применения (изготовление поддонов, мебели, корпусов, обивки и защитного покрытия).
3. Не включайте режим срабатывания при контакте с материалом с удержанием курка для закрывания коробов или ящиков или установки страховочных систем для транспортировки на прицепах и грузовиках.
4. Предупреждение: инструмент разрешается использовать только в местах, где он не будет представлять опасности.
5. Будьте осторожны при перемещении между местами работы.



себя и окружающих, присоедините его к системе подачи воздуха. **(Figure 1)**

2. Инструмент следует использовать при самом малом давлении, достаточном для приведения его в действие. Это позволит свести к минимуму уровень шума, износ деталей и потребление энергии.
3. Прижмите наконечник пистолета к изделию, подложите соединению, и нажмите спусковую кнопку, чтобы произвести выстрел. **(Figure 7)** Отрегулируйте минимальное давление, необходимое для того, чтобы крепежный элемент обеспечивал скрепление. После этого произведите несколько пробных выстрелов, начав с наименьшего давления.
4. Проверьте, была ли крепежная деталь забита в заготовку в соответствии с требованиями.
  - если крепеж выступает, увеличивайте давление воздуха с шагом 0,5 бар, проверяя результат после каждой новой регулировки;
  - если крепежный элемент забит на слишком большую глубину, уменьшайте давление воздуха с шагом 0,5 бар, пока результат не будет удовлетворительным.
5. В любом случае следует стараться работать при минимально возможном давлении воздуха.
6. Держите инструмент во время работы таким образом, чтобы не было травм головы или тела в случае возможной отдачи, вызванной переборами в подаче энергии или жесткими местами рабочей детали.
7. Для транспортировки инструмент должен быть отсоединен от системы подачи сжатого воздуха, особенно при использовании лестницы или когда во время движения принимается необычное физическое положение.
8. Переносите инструмент для забивания крепежных деталей в рабочее место, используя только ручку, и никогда с курковым выключателем во включенном положении.
9. Учитывайте условия на рабочем месте. Крепежные детали могут проникать сквозь тонкие рабочие детали или соскальзывать с углов и краев рабочих деталей, и, таким образом, подвергать людей опасности.
10. Для личной безопасности используйте защитные средства, такие как средства защиты органов слуха и защитные очки.
11. Курковый выключатель и защитный хомут должны приводиться в действие для каждой операции забивания, при этом порядок приведения их в действие не определен. Для повторяющихся операций забивания достаточно, чтобы курковый выключатель оставался активным и после этого активировался защитный хомут, или наоборот.
12. Избегайте срабатывания куркового выключателя инструмента, если магазин пуст.
13. Любой неисправный или неправильно работающий инструмент должен быть немедленно отсоединен от источника сжатого воздуха и передан специалисту для проверки.
14. В случае более продолжительных перерывов в работе или в конце рабочей смены отсоедините инструмент от источника сжатого воздуха и, как

### ЗАРЯДКА

1. Отсоедините инструмент от системы подачи воздуха. **(Figure 3)**
2. Отсоедините магазин, нажав на рычажок. **(Figure 4)**
3. Загрузка гвоздей: Держите пистолет в направлении вниз и вставьте полоску гвоздей в картридж, так чтобы острые концы были обращены вниз. **(Figure 5)** Толкайте направляющую рейку, пока не встанет на место со щелчком. **(Figure 6)**
4. Используйте только рекомендуемые скобы (см. технические спецификации).
5. Инструмент и крепежные детали, указанные в инструкции по эксплуатации, должны рассматриваться в рамках общей системы безопасности агрегата.

### ИСПОЛЬЗОВАНИЕ

1. Держа инструмент направленным в сторону от

рекомендуется, опорожните магазин.

15. Соединения сжатого воздуха инструмента и шлангов должны быть защищены от загрязнения. Попадание крупной пыли, стружки, песка и т. д. приведет к утечкам и повреждению инструмента и муфт.

### СИСТЕМА ПОДАЧИ СЖАТОГО ВОЗДУХА

1. Для правильного функционирования инструмента для забивания крепежных деталей требуется фильтрованный, сухой < и с небольшим количеством смазки > сжатый воздух в достаточных количествах. **(Figure 11)**
2. Если давление воздуха в системе трубок превышает максимально допустимое давление инструмента для забивания крепежных деталей, в линии подачи к инструменту дополнительно должен быть установлен редукционный клапан, за которым следует выходной предохранительный клапан.
3. Подключите инструмент для забивания крепежных деталей к источнику сжатого воздуха, используя подходящий шланг высокого давления, оснащенный быстроразъемными соединениями. **(Figure 1)**
4. Компрессорная установка должна иметь соответствующие характеристики по выходному давлению и производительности (объемного расхода) для ожидаемого расхода. Слишком малое сечение линии по отношению к длине линии (труб и шлангов), а также перегрузка компрессора приведут к падению давления.
5. Постоянно проложенные воздуховоды сжатого воздуха должны иметь внутренний диаметр не менее 19 мм и соответствующий большой диаметр, если речь идет о относительно длинных трубопроводах или нескольких пользователей.
6. Трубопроводы со сжатым воздухом должны быть проложены таким образом, чтобы образовался уклон (самая высокая точка относительно направления к компрессору). Легкодоступные водоотделители должны быть установлены в самых низких точках.
7. Соединения для пользователей должны присоединяться к воздуховодам сверху.
8. Точки подключения инструментов для забивания крепежных деталей должны быть оснащены узлом обслуживания сжатого воздуха (фильтр/ водоотделитель/масленка) непосредственно в точке соединения.
9. Масленки должны проверяться ежедневно и при необходимости в них доливаётся рекомендованный сорт масла (см. ТЕХНИЧЕСКИЕ ХАРАКТЕРИСТИКИ). При использовании шлангов длиной более 10 м подача масла к инструменту для забивания крепежных деталей не может быть гарантирована. Поэтому рекомендуется добавлять от 2 до 5 капель (в зависимости от загрузки инструмента для забивания крепежных деталей) рекомендованного масла (см. ТЕХНИЧЕСКИЕ ДАННЫЕ) через воздухозаборник инструмента или масленку, прикрепленную непосредственно к инструменту для забивания крепежных деталей.

### УСТРАНЕНИЕ НЕИСПРАВНОСТЕЙ И ОБСЛУЖИВАНИЕ

1. Если произошло заклинивание, отключите пистолет от системы подачи воздуха. **(Figure 3)**
2. Отсоедините магазин и достаньте рейку. **(Figure 8)** Удалите застрявшие скобы.
3. Или отпустите два винта передней крышки и снимите её. **(Figure 9)** Удалите застрявший штифт. **(Figure 10)** Верните переднюю крышку и затяните винты.

### ОБСЛУЖИВАНИЕ:

1. Пока инструмент отсоединен от системы подачи воздуха, производите ежедневный осмотр на предмет свободного движения предохранительного держателя и спусковой кнопки.
2. Все винты должны быть затянутыми. **(Figure 2)** Ослабленные винты могут стать причиной опасности при эксплуатации и поломки деталей. Добавьте 2-3 капли масла в воздухоприемник.
3. Используйте только масло рекомендованное в технических характеристиках. Содержите инструмент в чистоте. Протирайте его регулярно сухой тряпкой и осматривайте на предмет износа. Смазывайте движущиеся части магазина время от времени для предупреждения износа.
4. Не используйте легковоспламеняемые чистящие составы. Не используйте растворители, поскольку это может привести к повреждению уплотнительных колец и других деталей. Используйте чистый и сухой воздух. По возможности используйте технологический аппарат для сжатого воздуха выше соединений инструмента. Ремонтные работы иные, нежели описанные здесь, должны осуществляться только обученным, квалифицированным персоналом или технической службой предприятия-изготовителя.

### СПИСОК ЗАПЧАСТЕЙ

При утилизации инструмента соблюдайте местные правила.

### РМР171 Список запчастей (Figure 12)

Index	Но. артикула	Описание
A	5001346	Направляющий клапан, цилиндр и поршень
B	5001347	Набор безопасности и триггера
C	5001348	Набор магазина

# PNEUMAATILINE NAELAPÜSTOL PMP171

## Kasutusjuhend - Originaali tõlge

**EE**

### TEHNILISED NÄITAJAD

	Kõrgus	190 mm
	Pikkus	230 mm
Tööriista mõõtmed	Laius	48 mm
	Kaal ilma naelteta	0,95 kg
	Kaal raskeimate naeltega	0,96 kg
Õhu sisselase		1/4"
Maksimaalne lubatav töörihk		8 bar
Töörihk	Minimaalne	5 bar
	Maksimaalne	7 bar
Käivitamisüsteem		Kontaktpäästik
Soovitatavad kinnitid		Rapid 23P: 15 -> 35 mm
Naela mõõtmed		Ø0,64mm - 23Ga
Mahutavus		150
Soovitatav pneumaatiline õli		Hüdroõli ISO 46 või võrdväärne
Müra puudutav teave (EN 12549:1999)	LpA, 1s, d	70,9 dB
	määramatus	2,5 dB
	LwA, 1s, d	83,9 dB
	määramatus	2,5 dB
	LpC, tipp	109 dB
	määramatus	2,5 dB

Nimetatud väärtused on tööriistale iseloomulikud väärtused, mis ei iseloomusta kasutamisel tekkivat müra. Kasutamisel tekkiv müra sõltub näiteks töökeskkonnast, töödeldavast detailist, töödeldava detaili toest ning toimingute arvust. Töökohta planeering, näiteks töödeldava detaili asetamine heli summutavatele tugeledele, võib samuti aidata müratasemeid vähendada.

Vibratsiooni puudutav teave (ISO 8662-11:1999)	Vibratsioon	2,24 m/s <sup>2</sup>
	määramatus	0,332 m/s <sup>2</sup>

Nimetatud väärtus on tööriistale iseloomulik väärtus, mis ei iseloomusta käelabale ja käsivarrele avalduvat mõju tööriista kasutamisel. Mistahes käelabale ja käsivarrele avalduv mõju tööriista kasutamisel sõltub näiteks haardejõust, kontaktpinge jõust, töötamissuunast, toiteallika reguleerimisest, töödeldavast detailist ja selle toest.

### SÜMBOLID

Järgnevalt on esitatud seadmel kasutatud sümbolid. Veenduge enne kasutamist, et mõistate nende tähendust.



Lugege läbi tööriista sildid ja kasutusjuhend ning saage neist aru. Hoiatuste eiramine võib kaasa tuua raske kehavigastuse.



Kasutajad ja teised tööalal viibijad peavad kandma löögikindlat silmakaitset küljekaitsetega.



Kasutajad ja teised tööalal viibijad peavad kandma kuulmiskaitset.



Tööriist töötab kontaktpäästikurežiimis.




Ärge kasutage seda tööriista, kui olete treppedelil, trepil või tellingutel, redelil või redelliaadsel konstruktsioonil, nt katuseliistudel, karpe või kaste sulgedes, paigaldades transpordiohustussüsteeme nt sõidukitele ja vagunitele.



Ärge kunagi kasutage selle tööriista toiteallikana hapnikku, süsinikdioksiidi või muud balloongaasi.

### ÜLDISED OHUTUSHOIATUSED

1. Isikuohutuse tagamiseks ning tööriista korralikuks käsitsemiseks ja hoolduseks lugege enne tööriista kasutamist see kasutusjuhend läbi. 
2. Hoidke kõik hoiatused ja juhised alles hilisemaks ülevaatamiseks.
3. See tööriist on ette nähtud ainult professionaalseks kasutuseks. Ärge kasutage seda ühelgi muul otstarbel. See pole ette nähtud kinnitusvahendite otseseks sisestamiseks kõvasse pinda, nagu teras ja tsement.
4. Kasutaja peaks hindama iga konkreetse kasutusjuhuga kaasnevaid eririske.
5. Seda tööriista on keelatud kasutada muuks kui ettenähtud otstarbeks. Naelapüstoleid pidevtoimelise kontaktpäästikuga või kontaktpäästikuga tuleb kasutada ainult tootmisrakendustes.
6. Hoidke sõrmed päästikust eemal, kui te tööriista ei kasuta ja liigutate seda ühest toiasendist teise.
7. Mitu ohtu. Lugege ohutusjuhised läbi ja saage neist aru enne tööriista ühendamist, lahutamist, laadimist, kasutamist, hooldamist, selle tarvikute vahetamist või selle lähistel töötamist. Selle mittetegemine võib põhjustada kehavigastusi.
8. Hoidke kõik kehaosad, nagu käed, jalad jne eemal väljalaskesuunast, ning tagage, et naelapüstol ei saaks sisestada tööobjekti kehaosadesse.
9. Olge tööriista kasutades teadlik, et naelapüstol võib kõrvale kalduda ja tekitada vigastuse.
10. Hoidke tööriista kindla haardega ja olge valmis tagasilöögiks.

11. Naelapüstolit peaks kasutama ainult oskustega töötajad.
12. Ärge muutke naelapüstolit. Muudatused võivad vähendada ohutusmeetmete tõhusust ja suurendada riske kasutajale ja/või kõrvalseisjale.
13. Ärge kasutusjuhendit ära visake.
14. Ärge kasutage tööriista, kui see on kahjustada saanud.
15. Olge kinnitusvahendite käsitsemisel ettevaatlik, eriti nende laadimisel ja tühjaklaadimisel, sest kinnitusvahenditel on teravad otsad ja need võivad põhjustada vigastusi.
16. Kontrollige alati enne tööriista kasutamist, et sellel poleks katkiseid, ühendamata või kulunud osi.
17. Ärge üle pingutage. Kasutage ainult ohutus töökohas. Säilitage alati kindel jalgealune ja tasakaal.
18. Hoidke kõrvalseisjad eemal (kui töötate ala, kus on töenäoline inimeste läbilikumine). Tähistage oma tööala selgelt.
19. Ärge kunagi osutage tööriistaga enda või teiste suunas.
20. Ärge hoidke sõrme päästikul, kui tööriista üles tõstate, liigutate tööalade vahel või kõnnite, sest sõrme päästikul hoidmine võib põhjustada tahtmatu käivituse. Valikulise käivitusega tööriistadel kontrollige alati enne kasutust, et oleks valitud õige režiim.
21. Kasutage ainult kindaid, mis tagavad küllaldase tunnetuse ning päästikute ja kõigi reguleerimisvahendite ohutu kasutuse.
22. Tööriista kõrvale pannes asetage see lamedale pinnale. Kui kasutate tööriista juures olevat haaki, haakige seade turvaliselt kindlale pinnale.
23. Ärge käsitsege alkoholi-, narko- vms jooibes.
24. Ärge kasutage seda tööriista, kui olete treppredelil, trepil või tellingutel, redelil või redellilaadsel konstruktsioonil, nt katuseliistudel, karpe või kaste sulgedes, paigaldades transpordiohutusüsteeme nt sõidukitele ja vagunitele.



### Väljapaikumisohud

1. Naelapüstol peab olema kinnitusvahendite väljajalaadimisel, reguleerimisel, ummistuste kõrvaldamisel või tarvikute vahetamisel toistest lahutatud.
2. Kasutamise ajal hoolitsege selle eest, et kinnitusvahendid siseneks materjal õigesti ja need ei saaks kõrvale kalduda kasutaja ja/või kõrvalseisjate pihta.
3. Kasutamisel võib eralduda kinnitusvahendist ja kinnitus-/sortimissüsteemist jääke.
4. Tööriistade kasutamisel kandke alati kaitseprille, et hoida silmi vigastuste eest. Prillid peavad vastama standarditele ANSI Z87.1 USA-s, EN 166 Euroopas või AS/NZS 1336 Austraalias / Uus-Meremaal. Austraalias / Uus-Meremaal on ka seaduslik kohustus kanda näo kaitseks näokaitset. Töandja on kohustatud nõudma tööriista kasutajatelt ja vahetus tööpiirkonnas olevatelt isikutelt sobiliku kaitsevarustuse kasutamist.
5. Riske teistele hindab kasutaja.
6. Olge ettevaatlik, kui tööriist pole kokku puutes tööobjektiga, sest selle saab tahtmatult käivitada, mis võib vigastada kasutajat ja/või kõrvalseisjat.
7. Tagage, et tööriist oleks alati ohutult tööobjekti vastas



ega saaks libiseda.

8. Kandke kaitseks müraaaste eest kuulmiskaitset ja peakaitset. Kandke ka kergeid, kuid mitte avaraid rõivaid. Käised peaksid olema kinni nõõbitud või ülles keeratud. Kaelasid ei tohi kanda.



### Ohud käitsemisel

1. Hoidke tööriista õigesti: olge valmis reageerima tavalistele või ootamatutele liikumistele, nagu tagasilööök.
2. Säilitage tasakaalustatud kehaasend ja kindel jalgealune.
3. Kasutada tuleb sobivaid kaitseprille ning soovitatavad on kohased kindad ja kaitserõivastus.
4. Kanda tuleb sobivat kuulmiskaitset.
5. Kasutage õiget toiteallikat, nagu kasutusjuhendis õpetatud.
6. Ärge kasutage tööriista liikuvatel alustel ega veokikastis. Aluse ootamatu liikumine võib põhjustada kontrolli kaotuse tööriista üle ja põhjustada õnnetuse.
7. Eeldage alati, et tööriist sisaldab kinnitusvahendeid.
8. Ärge kiirustage töötades ega suruge tööriista. Käsitsege tööriista ettevaatlikult.
9. Jälgige oma jalgealust ja säilitage tööriistaga töötades tasakaal. Veenduge, et kõrgetes kohtades töötades poleks kedagi all ja kinnitage õhuvoolik ohu vältimiseks, kui tekib järsk sikutamine või haardumine.
10. Katustel ja muudel kõrgetel kohtadel sisestage kinnitusvahendit edasi liikudes. Kinnitusvahendite sisestamisel end tahapoole kallutades on hõlbus kaotada tasakaalu. Ristsuunalisse pinda kinnitusvahendeid sisestage töötae ülevalt alla. Sel moel saate sisestamistõid teha end vähem väsitades.
11. Kinnitusvahend vändub või tööriist võib ummistuda, kui kogemata sisestate kinnitusvahendi teise kinnitusvahendi otsa või tabate piudu oksakohta. Kinnitusvahend võib pörkuda ja tabada kedagi või tööriist ise võib ohtlikult reageerida. Paigutage kinnitusvahendid hoolikalt.
12. Ärge jätke laetud tööriista või surve all õhukompressorit pikaks ajaks päikese kätte. Veenduge, et tolm, liiv, liistud ja muud võõrkehade ei siseneks tööriista kohas, kuhu selle jätate.
13. Ärge kunagi sisestage kinnitusvahendeid samal ajal nii seest- kui ka väljastpoolt. Kinnitusvahendid võivad tungida läbi ja/või lennata minema, tekitades tõsise ohu.

### Korduvate liigutuste ohud

1. Tööriista kasutamisel pikemat aega võib kasutajal tekkida ebamugavustunne kätes, õlgades, kaelas või muudes kehaosades.
2. Tööriista kasutades peaks kasutaja võtma sobiva, kuid ergonoomilise asendi. Säilitage kindel algealune ja vältige ebamugavaid või tasakaalust väljas asendeid.
3. Kui kasutaja kogeb sümptomeid, nagu püsiv või korduv ebamugavus, valu, tuikamine, horkimine, tuiumus, põletustunne või jäikus, siis ärge neid hoiatavaid märke eirake. Kasutaja peaks üldiste tegevuste suhtes konsulteerima kvalifitseeritud tervishoiutöötajaga.
4. Tööriista pidev kasutamine võib tööriista tagasilöögi tõttu põhjustada ülekoormusvigastuse.
5. Ülekoormusvigastuse vältimiseks ei tohiks kasutaja üle pingutada ega kasutada liigset jõudu. Lisaks peaks

kasutaja väsimust tundes puhkepausi tegema.

6. Hinnake korduvate liigutuste ohtude riski. See peaks keskenduma lihas-skeleti häiretele ja peaks eelistatavalt põhinema eeldusel, et väsimuse vähendamine töötamisel aitab häireid vähendada.

### Tarvikute ja kuludetailide ohud

1. Lahutage enne tarvikute vahetamist/asendamist või mingite muudatuste tegemist tööriist toiteallikast, nagu suruõhvarustusest või akust.
2. Kasutage ainult tootja poolt tarnitud mõõtu ja tüüpi tarvikuid.
3. Kasutage ainult selles kasutusjuhendis soovitatud määrideid.

### Töökoha ohud

1. Libisemine, komistamine ja kukkumine on töötraumade olulised põhjused. Olge teadlik tööriista kasutamisel tekkivast libedast pinnast ja ka õhvarustusliiniga kaasnevast komistamisohust.
2. Võõras kohas tegutsege täiendava ettevaatusega. Võivad esineda täiendavad ohud, nagu elektri- või muude tehnovõrkude liinid.
3. See tööriist pole ette nähtud kasutamiseks võimalikus plahvatusohtlikus keskkonnas ja see pole isoleeritud elektriga kokkupuute vastu.
4. Veenduge, et poleks elektrijuhtmeid, gaasitorusid vms, mis võiksid põhjustada ohu, kui neid tööriista kasutamisel kahjustada.
5. Hoidke tööala puhas ja hästi valgustatud. Segamini ja valgustamata piirkonnad kutsuvad esile õnnetusi.
6. Mõra kohta võivad kehtida kohalikud määrsed, mida tuleb järgida, hoides müra ettenähtud piires. Teatud juhtumitel tuleks müra summutamiseks kasutada kaitsesirme.

### Tolmu ja heitmete ohud

1. Kontrollige alati ümbruskonda. Tööriista heitõhk võib üles paista tolmu või esemeid, mis võivad tabada kasutajat ja/või kõrvalseisjaid.
2. Suunake heitõhk tolmuses keskkonnas nii, et see minimeeriks tolmusaaste.
3. Kui tööalasse paisatakse tolmu või objekte, vähendage võimalikult heitmeid, et vähendada ohte tervisele ja vigastuse riski.

### Müraohud

1. Kaitsevahenditeta kokkupuude tugeva müraga võib põhjustada püsiva, invaliidistava kuulmiskaotuse ja muid probleeme, nagu tinnitus (helin, sumin, viilin või surin kõrvus).
2. Hinnake tööpiirkonnas müraohtude riski ja rakendage nende ohtude vastu kohased abinõud.
3. Kohased abinõud riski vähendamiseks võivad olla tegevused, nagu summutavad materjalid, mis takistavad tööobjektide „helisemist“.
4. Kasutage sobivat kuulmiskaitset.
5. Käsitsege ja hooldage tööriista nii, nagu selles kasutusjuhendis soovitatud, et vältida mürataseme tarbetut tõusu.
6. Rakendage müravähendusmeetmeid, näiteks tööobjektide asetamine heli summutavatele tugeledele.

### Vibratsiooni ohud

1. Vibratsiooniheide käsitsemisel sõltub haardejõust, kontaktsurvest, töötamissuunast, toiteallika seadistusest, tööobjektist, tööobjekti tugedest.

Hinnake tööpiirkonnas vibratsioonihohtude riski ja rakendage nende ohtude vastu kohased abinõud.

2. Vibratsioon võib põhjustada närvide ning labakäe ja käsiarve verevarustuse invaliidistavaid vigastusi.
3. Külmas tingimustes töötades kandke sooje riideid, hoidke käed soojad ja kuivad.
4. Kui tunnete tuimust, torkimist, valu või teie sõrmede või käte nahk valgeneb, siis pöörduge üldiste tegevuste kohalt kvalifitseeritud töeteravishoiutöötaja poole.
5. Käsitsege ja hooldage tööriista nii, nagu selles kasutusjuhendis soovitatud, et vältida vibratsioonitaseme tarbetut tõusu.
6. Hoidke tööriista kerge, kuid kindla haardega, sest vibratsiooni oht on tavaliselt suurem, kui haare on tugevam.

### Pneumaatiliste tööriistade täiendavad hoiatused

1. Suruõhk võib põhjustada raskeid kehavigastusi.
2. Sulgege alati õhvarustus ja lahutage tööriist õhvarustusest, kui see pole kasutuses.
3. Lahutage enne tarvikute vahetamist, seadistamist ja/või remontimist, tööpiirkonnast teise alasse teisel damist tööriist alati suruõhvarustusest.
4. Hoidke sõrmed päästikust eemal, kui te tööriista ei kasuta ja liigutate ühest tööasendist teise.
5. Ärge kunagi suunake suruõhku enda ega kellegi teise poole.
6. Voolikulöök võib põhjustada raskeid vigastusi. Kontrollige alati, et voolikud ega torud poleks lahti ega kahjustatud.
7. Ärge kunagi kandke pneumaatilist tööriista voolikutpidi.
8. Ärge kunagi vedage pneumaatilist tööriista voolikutpidi.
9. Ärge ületage pneumaatiliste tööriistade kasutamisel maksimaalset töö rõhku ps max.
10. Pneuumaatilisi tööriista tuleks toita ainult suruõhuga minimaalsel tööprotsessi nõutaval rõhul, et vähendada müra ja vibratsiooni ning minimeerida kulumist.
11. Hapniku või plahvatusohtlike gaaside kasutamine pneumaatiliste tööriistade käsitsemisel tekitab tulekahju- ja plahvatusohtu.
12. Olge pneumaatiliste tööriistade kasutamisel ettevaatlik, sest tööriist võib muutuda külmaks, mis mõjutab käeshoidmist ja käsitsemist.



### Kontakti tekitamise võimekusega tööriistade täiendavad hoiatused

1. Ärge hoidke sõrme päästikul, kui tööriista üles tõstate, liigutate tööalade vahel või kõnnite, sest sõrme päästikul hoidmine võib põhjustada tahtmatu käivituse.
2. Kui tööriistal on päästikurežiimi valija kontaktpäästiku või pidevkontaktpäästiku valimiseks või see on kontaktpäästikuga või pidevkontaktpäästikuga kontakttööriist ja on tähistatud kõrvalasuva sümboliga, siis on tööriist ette nähtud tööstuslikuks kasutamiseks, nt kaubalaste, mööbli ja valmismajade valmistamisel, polsterdamis- ja plaatimistöodel.
3. Ärge kasutage seda tööriista kontaktpäästikurežiimis sellisteks rakendusteks nagu kastide või karpide sulgemine ning transpordi turvasüsteemide paigaldamine haagistele ja veokitele.
4. Hoiatus, et tööriista tohib kasutada ainult ohutus töökohas.





5. Asukoha vahetamisel olge väga ettevaatlik.

### LAADIMINE

1. Ühendage tööriist suruõhuallika küljest lahti. **(Figure 3)**
2. Vabastage salv reguleerimiskangi vajutades. **(Figure 4)**
3. Naelte laadimine: Suunake naelapüstol allapoole ja viige naelteriba salve nii, et teravikud oleksid allapoole suunatud. **(Figure 5)** Suruge alust, kuni see klõpsuga paika liigub. **(Figure 6)**
4. Kasutage ainult soovitatud kinniteid (vaadake tehnilisi näitajaid).
5. Tööriista ja kasutusjuhendis nimetatud kinnitusvahendeid tuleb käsitleda ühise ohutussüsteemina.

### TÖÖRIISTA KASUTAMINE

1. Suunake tööriist endast ja teistest inimestest eemale ja ühendage suruõhuallikaga. **(Figure 1)**
2. Tööriistad tuleks kasutada kasutamiseks vajaliku kõige madalama rõhuga. See vähendab määratset, osade kulumist ja energiakulu.
3. Suruge tööriista otsik kinnitatavale detailile ja vajutage klambrite sisestamiseks päästikut. **(Figure 7)**  
Määrake minimaalne rõhk, mis on kinnitajatele läbistava jõu andmiseks vajalik. Seejärel sooritage mõned proovilasud, alustades madalaima rõhuga.
4. Kontrollige, kas kinnitusvahend on sisestatud tööobjekti vastavalt nõuetele.
  - Kui kinnitusvahend ulatub välja, siis suurendage õhurõhku sammuga 0,5 bar, kontrollides tulemust pärast iga seadistust;
  - Kui kinnitusvahend sisestatakse liiga sügavale, vähendage õhurõhku sammuga 0,5 bar, kuni tulemus on rahuldav.
5. Peaksite püüdma igal juhul töötada madalaima võimaliku õhurõhuga.
6. Hoidke tööriista töötoimingu ajal nii, et peale või kehale ei saaks tekkida vigastusi võimaliku tagasilöögi korral toitekattestuse või tööobjektis oleva kõva koha tõttu.
7. Tööriist tuleb transpordiks suruõhusüsteemist lahutada, eriti redelile kasutamisel või siis, kui teiseldamisel tuleb kasutada ebatavalist kehaasendit.
8. Kandke naelapüstolit töökohal ainult käepidet kasutades ja mitte kunagi aktiveeritud päästikuga.
9. Arvestage töökoha tingimusi. Kinnitusvahendid võivad läbistada õhukesi tööobjekte või libiseda tööobjektide nurkadel ja servadel, seades nii inimese ohtu.
10. Isikuohutuseks kasutage kaitsevarustust, nagu kuulmis- ja silmakaitse.
11. Päästik ja ohutusriiv peavad igaks sisestamistoiminguks olema aktiveeritud, aktiveerimisjärjekorral pole vahet. Korduvateks sisestamistoiminguteks piisab sellest, kui päästik jääb aktiveerituks ja ohutusriiv aktiveeritakse seejärel või vastupidi.
12. Hoiduge tööriista käivitamast, kui salv on tühi.
13. Defektne või ebasobivalt töötav tööriist tuleb kohe lahutada suruõhuvärustusest ja anda üle vaatamiseks asjatundjale.
14. Pikemate tööpauside või vahetuse lõpu puhul lahutage tööriist suruõhuvärustusest ja on soovitatav tühjendada

salv.

15. Tööriista suruõhuühendused ja voolikud peaksid olema kaitstud saaste eest. Jämeda tolmu, laastude, liiva jms sissepääs tekitab lekkeid ning kahjustab tööriista ja ühendusi.

### SURUÕHUSÜSTEEM

1. Naelapüstoli korrallikuks tööks on vaja piisavas koguses filtreeritud, kuiva < ja määratud > suruõhku. **(Figure 11)**
2. Kui õhurõhk toitesüsteemis ületab naelapüstoli maksimaalse lubatava õhurõhu, siis tuleb tööriista toiteliinile paigutada allavoolu ohutusklapi ette ka rõhualandusklapp.
3. Ühendage naelapüstol suruõhuvärustusega sobiva survevooliku abil kiirliidestega. **(Figure 1)**
4. Kompessor peab olema eeldatavaks tarbimiseks väljundrõhu ja jõudluse (vooluhulk) poolest piisavalt dimensioneeritud. Liinilõigud, mis on liiga väikesed liini (torude ja voolikute) pikkuse suhtes, toovad lisaks kompressori ülekoormusele kaasa rõhulanguse.
5. Alaliselt paigaldatud suruõhutorustikel peaks olema siseläbimõõt vähemalt 19 mm ja vastavalt suur läbimõõt siis, kui kasutusel on suhteliselt pikad torustikud või mitu kasutatjat.
6. Suruõhutorustikud peaks olema paigaldatud nii, et moodustada gradient (kõrgeim punkt kompressori suunas). Madalaimatesse kohtadesse peaks olema paigaldatud kergesti juurdepääsetavad veeseparaatorid.
7. Kasutajate liitmikud peaks olema torustikesse ühendatud ülevalt.
8. Naelapüstolite ühenduspunktid peaksid olema värustatud suruõhu puhastamise seadmega (filter/veeseparaator/õlimahuti) otse liitmikus.
9. Õlimahuteid tuleb kontrollida iga päev ja vajadusel täita soovitatavat liiki õliga (vt TEHNILISI ANDMEID). Kui kasutatakse üle 10 m pikkuseid voolikuid, siis ei saa tagada naelapüstoli õlivarustust. Seepärast soovime, et 2–5 tilka (sõltuvalt naelapüstoli laadimisest) soovitatavat õli (vt TEHNILISI ANDMEID) tuleks sisestada tööriista õhu sisselaskeava kaudu või õlimahuti tuleks ühendada otse naelapüstoliga.

### VEAOTSING JA HOOLDUS

1. Klambri kinnikiilumisel ühendage tööriist suruõhuallika küljest lahti. **(Figure 3)**
2. Vabastage salv ja nihutage alus tagasi. **(Figure 8)** Eemaldage kinnikiilunud kinnitid.
3. Või eemaldage kaks kruvi esikaanel ja tõmmake see välja. **(Figure 9)** Eemaldage kinni jäänud naela. **(Figure 10)** Asetage esikaas tagasi ja pingutage kruvid.

### HOOLDUS:

1. Kontrollige igapäevaselt suruõhuallika küljest lahtiühendatud tööriista kaitseriivi ja päästiku vaba liikumist.
2. Kõik kruvid peaksid olema kinni keeratud. **(Figure 2)** Lahtised kruvid võivad põhjustada ohtlikke olukordi ja detailide purunemist. Pigistage õhu sisselaskesse kergelt 2 või 3 tilka õli.
3. Kasutage ainult tehnilistes kirjeldustes soovitatud õli. Hoidke tööriist puhas. Pühkige seda regulaarselt kuiva

riidega ja kontrollīge kulumist. Māārige salve libisevaid detaile kulumise takistamīseks regulāarselt.

4. Ārge kasutage kergesti sūttīvaid puhastuslahuseid. Ārge kasutage liiges koguses lahusit, kuna sellīse lahused vōivad kahjustada tōōriista tīhendusrōngaid ja mīud tundlikke detaile. Kasutage puhast kuīva ōhku. Eelīstated on suruōhu tōōtlemīsseadme kasutamīne tōōriista ūhendusest ūlalpool. Sīin kirjeldatūtest erīnevad remondītōōd tuleks lābi vīa īnīnlt koolītatud kvalīfītseerītud personāli vōi tōotja mūūgijārgse hooldustehniku poolt.

### VARUOSADE NĪMEKĪRĪ

Tōōriista utīlīseerīmisel jārgīge kohalīkke eeskīrju.

### PMP171 Varuosade nīmekīri (Figure 12)

Index	Artīkli nr.	Kīrjeldus
A	5001346	Peaklapi, silīndri ja kolvi komplekt
B	5001347	Ohutuse ja pāāstīku komplekt
C	5001348	Magasīni komplekt

## PNEUMATINĒ VINIAKALĒ PMP171

Naudojīmīsi īnstrūkcījos - originalaus teksto vertīmas

LT

### TECHNINĒS CHARAKTERISTIKOS

Įrankio ilgis	Aukštis	190 mm
	Ilgis	230 mm
	Plotis	48 mm
	Svoris be vīnių	0,95 kg
	Svoris su sunkiausiaiis vīnimis	0,96 kg
Oro sūnaudos	1/4"	
Didžiausias leīstinas darbinis slėgis	8 bar	
Darbinis slėgis	Mažiausias	5 bar
	Didžiausias	7 bar
Aktyvavimo sistema	Kontaktinis kalimas	
Rekomenduojami tvirtikliai	Rapid 23P: 15 -> 35 mm	
Vīnių matmenys	Ø0,64mm - 23Ga	
Apkrovos našumas	150	
Rekomenduojamas tepalas pneumatiniams įrankiams	Hidraulinė alyva ISO 46 arba ekvivalentiška	
Triukšmo lygis (EN 12549:1999)	LpA, 1s, d	70,9 dB
	paklaida	2,5 dB
	LwA, 1s, d	83,9 dB
	paklaida	2,5 dB
	LpC, maksimalus triukšmas	109 dB
paklaida	2,5 dB	

Šios reikšmės apībūdina patį įrankį ir neparodo aplinkos triukšmo, susīdarančio naudojīmīsi vietoje, lygio. Triukšmo lygis naudojīmīsi vietoje priklausys, pvz., nuo darbo aplinkos, apdirbimo ruošinio, apdirbimo ruošinio atramos ir įkalimū skāičiaus. Darbo vietos suplanavimas taip pat padeda sumažinti triukšmo lygī, pvz., padedant apdirbamajū ruošinį ant garsų sugeriančios atramos.

Vibracijos lygis (ISO 8662-11:1999)	Vibracija	2,24 m/s <sup>2</sup>
	paklaida	0,332 m/s <sup>2</sup>

Ši reikšmė apībūdina patį įrankį ir neparodo įrankio naudojīmīsi poveikio sistemai „plaštaka-ranka“. Bet koks poveikis sistemai „plaštaka-ranka“ naudojantis įrankiu priklausys nuo, pvz., įrankio laikymo jėgos, suspaudimo jėgos, darbo krypties, tiekiamos energijos paskirstymo, apdirbamojo ruošinio medžiagos, apdirbamojo ruošinio atmosferos.

### SIMBOLIAI

Toliau pateikti su įranga naudojami simboliai. Prieš naudodami įsitikinkite, kad suprantate šių simbolių prasmę.



Perskaitykite ir susipažinkite su įrankio ženklīnīmu ir naudotojo vadovu. Nepaisydami įspėjimų rizikuojate sunkiai susīzaloiti.



Operatoriai ir kiti darbo vietoje esantys asmenys turi dėvėti smūgiams atsparią akių apsaugą su šoniniais skydeliais.



Operatoriai ir kiti darbo vietoje esantys asmenys turi dėvėti klausos apsaugą.



Šis įrenginys gali veikti kontaktnio įjungimo režīmu



Šio įrankio nenaudokite būdami ant svarstyklīų, laiptų, pastolių, kopėčių ar į kopėčias panašių konstrukcijų, pvz., stogo juostų, ūždarydami dėžes, montuodami transportavimo saugos sistemas, pvz., ant transporto priemonių ir vagonų.



Kaip šio įrankio maitinimo šaltinio jokiū būdu nenaudokite deguonies, anglies dvideginio ar bet kokių kitų suslėgtų dujų.

## BENDRIEJI SAUGOS ĮSPĖJIMAI



1. **Asmens saugos ir tinkamo šio įrankio naudojimo bei priežiūros sumetimais prieš jį naudodami perskaitykite šį naudotojo vadovą.**
2. Visus įspėjimus ir instrukcijas išsaugokite ateičiai.
3. Šis įrankis skirtas naudoti tik profesionalams. Nenaudokite jo jokiais kitais tikslais. Jis neskirtas tvirtinimo detalėms tiesiai į kietus paviršius, pvz., plieninius ar betoninius, kalti.
4. Kiekvienu atveju naudotojas turi įvertinti kylančius pavojus.
5. Draudžiama šį įrankį naudoti bet kokiais kitai paskirčiai, išskyrus skirtąją. Tvirtinimo elementų įrankiai su nuolatinio kontaktinio įjungimo režimu arba kontaktinio įjungimo režimu turi būti naudojami tik gamybiniais tikslais.
6. Nedirbdami su šiuo įrankiu arba perkeldami jį iš vienos darbinės padėties į kitą laikykite pirštus toliau nuo jungiklio.
7. Įvairūs pavojai. Perskaitykite ir susipažinkite su saugos instrukcijomis prieš prijungdami, atjungdami, kraudami, naudodami, atlikdami techninę priežiūrą, keisdami priedus ar dirbdami netoliese šio įrankio. To nepaisydami rizikuojate sunkiai susižaloti.
8. Visas kūno dalis, pvz., rankas, kojas ir kt., laikykite atokiau nuo kalimo krypties ir pasirūpinkite, kad tvirtinimo detalė negalėtų prakirsti ruošinio ir įsmigti į kūno dalis.
9. Naudodami įrankį nepamirškite, kad tvirtinimo detalės gali atšokti nuo ruošinio ir sužaloti.
10. Tvirtai laikykite įrankį ir būkite pasiruošę suvaldyti atatrąką.
11. Tvirtinimo detalių kalimo įrankį turi naudoti tik techninių įgūdžių turintys operatoriai.
12. Nemodifikuokite tvirtinimo detalių kalimo įrankio. Modifikacijos gali sumažinti saugos priemonių veiksmingumą ir padidinti operatoriumi (arba) pašaliniam asmeniui kylančią riziką.
13. Neišmeskite naudotojo vadovo.
14. Nenaudokite įrankio, jei jis pažeistas.
15. Su tvirtinimo detalėmis veiksmus atlikite atsargiai, ypač jas įdėdami ir išimdami, nes jos turi aštrių taškų, galinčių sužaloti.
16. Prieš naudodami visada patikrinkite, ar įrankis neturi lūžusių, atsijungusių ar nusidėvėjusių dalių.
17. Nesiekite pernelyg toli. Naudokite tik saugioje darbo vietoje. Visą laiką tvirtai stovėkite ant kojų ir laikykite pusiausvyrą.
18. Užtikrinkite, kad pašaliniai asmenys nebūtų šalia (dirbant vietoje, kur yra tikimybė, jog nuolat vaikščios žmonės). Aiškiai pažymėkite savo darbo teritoriją.
19. Jokiū būdu nenukreipkite įrankio į save ar kitus.
20. Įdėdami įrankį, perkeldami jį iš vienos darbo vietos (padėties) į kitą arba eidami, nelaikykite piršto ant jungiklio, nes taip galite netyčia įjungti įrankį. Selektivaus įjungimo funkciją turinčius įrankius prieš naudodami būtinai patikrinkite, kad įsitikintumėte, jog

pasirinktas tinkamas režimas.

21. Mūvėkite tik tokias pirštines, su kuriomis gerai jaučiatės ir galite saugiai valdyti jungiklius ir bet kokius reguliavimo įtaisus.
22. Nenaudodami įrankio padėkite jį ant plokščio paviršiaus. Jei naudojate su įrankiu pridėtą kablį, saugiai pakabinkite įrankį ant stabilaus paviršiaus.
23. Nenaudokite įrankio paveikti alkoholio, vaistų ir pan.
24. Šio įrankio nenaudokite būdami ant svarstyklių, laiptų, pastolių, kopėčių ar į kopėčias panašių konstrukcijų, pvz., stogo juostų, uždarydami dėžes, montuodami transportavimo saugos sistemas, pvz., ant transporto priemonių ir vagonų.



### Pavojus dėl išsviedžiamų daiktų

1. Tvirtinimo detalių kalimo įrankį turite atjungti nuo maitinimo šaltinio, kai išimate tvirtinimo detales, atliekate korekcijas, šalininate užsikimšimus ar keičiate priedus.
2. Naudokite atsargiai, kad tvirtinimo detalės tinkamai būtų kalamos į medžiagą, o ne atštokų ar būtų netyčia išsviestos operatoriaus ir (arba) pašalinį asmenų kryptimi.
3. Dirbant gali būti išmetamos nuolaužos iš ruošinio ir tvirtinimo arba sugretinimo sistemos.
4. Visada dėvėkite apsauginius akinius, kad naudodami elektrinius įrankius apsaugotumėte akis nuo sužalojimo. Akiniai turi atitikti tokių standartų reikalavimus: ANSI Z87.1 JAV, EN 166 Europoje, AS/NZS 1336 Australijoje ir Naujojoje Zelandijoje. Australijoje ir Naujojoje Zelandijoje pagal įstatymus taip pat reikalaujama dėvėti veido apsaugą. Darbdavys yra atsakingas už tai, kad būtų užtikrinta, jog įrankio operatorius bei kiti asmenys darbo vietoje naudotų tinkamą saugos įrangą.
5. Kitiems asmenims kylančią riziką vertina operatorius.
6. Atsargiai elkitės su ruošinio neliečiančiais įrankiais, nes jie gali būti netyčia išsviesti ir sužaloti operatorių ir (arba) pašalinius asmenis.
7. Užtikrinkite, kad įrankis visada būtų saugiai laikomas prie ruošinio ir negalėtų nuslysti.
8. Dėvėkite klausos apsaugą, kad apsaugotumėte ausis nuo išmetimo garso, ir galvos apsaugą. Taip pat dėvėkite lengvus, bet ne laisvus drabužius. Rankoves reikia užsegti arba atraitoti. Negalima dėvėti kaklaraiščio.



### Pavojai dirbant

1. Tinkamai laikykite įrankį: būkite pasiruošę kompensuoti natūralius ar staigius judesius, pavyzdžiui, atatrąką.
2. Išlaikykite kūno pusiausvyrą ir tvirtai stovėkite ant žemės.
3. Būtina naudoti tinkamus apsauginius akinius ir rekomenduojama mėvėti tinkamas pirštines bei apsauginius drabužius.
4. Būtina dėvėti tinkamą klausos apsaugą.
5. Naudokite tinkamą maitinimo šaltinį, kaip nurodyta naudotojo vadove.
6. Įrankio nenaudokite ant judančių platformų ar sunkvežimių gale. Dėl staigaus platformos judesio galite prarasti įrankio valdymą ir susižaloti ar sužaloti kitus.

7. Visada elkitės taip, lyg įrankyje būtų tvirtinimo detalių.
8. Dirbdami neskubėkite ir laikydami įrankį nenaudokite per didelės jėgos. Su įrankiu elkitės atsargiai.
9. Tvirtai stovėkite ir laikykite pusiausvyrą dirbdami su įrankiu. Jei dirbate aukštai, įsitinkite, kad po jumis nėra kitų asmenų, ir pritvirtinkite oro žarną, kad išvengtumėte pavojaus dėl galimų staigių jos judesių.
10. Dirbdami ant stogų ir kitose aukštesiose vietose, tvirtinimo detales kalkite judėdami pirmyn. Judant atbulomis ir kalant tvirtinimo detales galima nesunkiai prarasti pusiausvyrą. Kaldami tvirtinimo detales į vertikalių paviršių, dirbkite nuo viršaus žemyn. Taip dirbdami mažiau pavargsite.
11. Jei per klaidą kalsite tvirtinimo detalę ant kitos tvirtinimo detalės arba kliudysite mazgą medienoje, galite sulenkti tvirtinimo detalę arba įrankis gali užstrigti. Tvirtinimo detalė gali būti išsviedžiama ir kliudyti žmones arba pats įrenginys gali pavojingai sureaguoti. Atidžiai kalkite tvirtinimo detales.
12. Užpildyto įrankio arba slėgio veikiamo oro kompresoriaus nepalikite saulėje ilgą laiką. Įsitinkite, kad vietoje, kurioje paliekate įrankį, jį negalės pakliūti dulkių, smėlio, atplaišų ar svetimkūnių.
13. Jokių būdu nebandykite vienu metu kalti tvirtinimo detales iš abiejų pusių. Tvirtinimo detalės gali kiaurai kirsti ruošinį ir (arba) atsokti ir taip sukelti mirtiną pavojų.

### **Pakartotinių judesių pavojai**

1. Ilgesnį laiką naudodamas įrankį, operatorius gali pajusti nepatogumų plaštakose, rankose, pečiuose, kakle ar kitose kūno vietose.
2. Naudodamas įrankį, operatorius turi užimti tinkamą, bet ergonomišką padėtį. Saugiai stovėkite ir venkite nepatogių ar ne pusiausvyroje esančių padėčių.
3. Jei operatorius jaučia tokius simptomus kaip nuolatinis ar pasikartojantis nepatogumas, skausmas, pulsavimas, maudimas, dilgčiojimas, tirpimas, deginantis pojūtis ar sustingimas, negalima j tai nekreipti dėmesio. Operatorius būtinai turi pasikonsultuoti su kvalifikuotu sveikatos apsaugos specialistu dėl savo veiklos.
4. Nuolat naudojant įrankį gali kankinti pasikartojantys patempimai dėl įrankio sukuriamos atitransos.
5. Kad išvengtų pasikartojančių patempimų, operatorius turi nesiekti per toli ir nenaudoti per didelės jėgos. Taip pat operatorius turi pailsėti, kai pajunta nuovargį.
6. Įvertinkite dėl pakartotinių judesių kylantį pavojų. Vertinant daugiausia dėmesio reikėtų skirti raumenų ir kaulų sutrikimams ir (pageidautina) remtis prielaida, kad mažiau nuovargio darbe veiksmingai sumažina sutrikimų.

### **Pavojai dėl priedų ir sunaudojamų medžiagų**

1. Prieš keisdami ar pakeisdami priedus, pvz., ruošinio kontaktus, arba atlikdami korekcijas, atjunkite įrankį nuo maitinimo šaltinio, pvz., oro, dujų ar akumuliatoriaus.
2. Naudokite tik gamintojo nurodytų dydžių ir tipų priedus.
3. Naudokite tik šiame vadove rekomenduojamus tepalus.

### **Darbo vietos pavojai**

1. Daugiausia sužalojimų darbe patiriama dėl paslydimų, užkliuvimų ir griuvimų. Nepamirškite naudojant įrankį sukuriama slidžių paviršių bei rizikos užkliūti už oro tiekimo žarnos.
2. Būkite itin atsargūs nepažįstamoje aplinkoje. Gali būti

- paslėptų pavojų, pvz., elektros ar kitų komunalinių linijų.
3. Šis įrankis neskirtas naudoti potencialiai sprogioje atmosferoje, jis nėra izoliuotas nuo kontaktų su elektros šaltiniais.
4. Įsitinkite, kad nėra elektros laidų, dujų vamzdžių ir kt. linijų, galinčių sukelti pavojų, jei juos pažeistų naudojamasis įrankis.
5. Darbo vietą laikykite švarią ir gerai apšviestą. Netvarkingose ar tamsiose vietose yra didesnis nelaimingų atsitikimų pavojus.
6. Gali būti vietinių įstatymų, kuriuose aprašomas leistinas triukšmo lygis ir kurių privalote laikytis. Tam tikrais atvejais garsui mažinti reikia naudoti langines.

### **Pavojai dėl dulkių ir išmetamo oro**

1. Visada apžiūrėkite aplinką. Įrankio išmetamas oras gali nupūsti dulkes ar objektus, galinčius kliudyti operatoriui ir (arba) pašalinis asmenis.
2. Dulkojeje aplinkoje nukreipkite išmetimo vamzdį taip, kad jis minimaliai keltų dulkes.
3. Jei darbo vietoje išmetamos dulės ar kiti objektai, kiek įmanoma sumažinkite išmetimą, kad sumažintumėte pavojus sveikatai ir riziką sužaloti.

### **Pavojai dėl triukšmo**

1. Dėl ilgo didelio triukšmo poveikio be apsaugos galite ilgam laikui prarasti klausą (dėl to bus apribotas veiksnumas) ir kilti kitų problemų, pvz., tinatas (skambėjimas, zvimimas, švilpimas ar ūžesys ausyse).
2. Įvertinkite triukšmo lygio keliamą pavojų darbo aplinkoje ir pritaikykite tinkamas tokio pavojaus valdymo priemones.
3. Tinkamos pavojaus mažinimo priemonės gali būti tokie veiksmai kaip slopinančių medžiagų, neleidžiančių ruošiniams „skambėti“, montavimas.
4. Naudokite tinkamą klausos apsaugą.
5. Naudokite ir prižiūrėkite įrankį taip, kaip rekomenduojame šiame vadove, kad užkirstumėte kelią nereikalingam triukšmo didėjimui.
6. Imkitės triukšmą mažinančių priemonių, pavyzdžiui, galite dėti ruošinius ant garsą slopinančių atramų.

### **Pavojai dėl vibracijos**

1. Dirbant skleidžiama vibracija priklauso nuo sugriebimo jėgos, kontaktų spaudimo jėgos, darbinės krypties, maitinimo šaltinio nustatymo, ruošinio ir ruošinio atramos. Įvertinkite vibracijos lygio keliamą pavojų ir pritaikykite tinkamas tokio pavojaus valdymo priemones.
2. Dėl vibracijos poveikio gali atsirasti veiksnumą ribojančių pakenkimų plaštakų ir rankų nervams bei kraujotakai.
3. Dirbdami šaltoje aplinkoje dėvėkite šiltus drabužius, o rankas laikykite šiltas ir sausas.
4. Jei pirštuose ar plaštakose jaučiate tirpimą, dilgčiojimą, skausmą ar pastebėjote jų odos pabalimą, kreipkitės medicininės pagalbos ir kvalifikuotą darbo sveikatos apsaugos specialistą dėl darbo veiklos.
5. Naudokite ir prižiūrėkite įrankį taip, kaip rekomenduojame šiame vadove, kad užkirstumėte kelią nereikalingam vibracijos didėjimui.
6. Įrankį laikykite suspaudę nestipriai, bet saugiai, nes vibracijos keliami rizika paprastai didesnė stipriai sugriebus.

### **Papildomi įspėjimai dėk pneumatinių įrankių**

1. Suspausto oro skardinės gali sunkiai sužaloti.
2. Kai įrankio nenaudojate, būtinai išjunkite oro tiekimą ir atjunkite įrankį nuo oro šaltinio.
3. Būtinai atjunkite įrankį nuo suspausto oro šaltinio prieš keisdami priedus, atlikdami korekcijas ir (arba) remontot darbus, perkeldami įrankį iš vienos darbo vietos į kitą.
4. Nedirbdami su šiuo įrankiu arba perkeldami jį iš vienos darbinės padėties į kitą laikykite pirštus toliau nuo jungiklio.
5. Jokių būdu suspausto oro nenukreipkite į save ar kitus.
6. Staigiai judančios žarnos gali sunkiai sužaloti. Visada patikrinkite, ar nėra pažeistų ar laisvų žarnų arba armatūros.
7. Jokių būdu neneškite pneumatinio įrankio laikydami už žarnos.
8. Jokių būdu nevilkite pneumatinio įrankio laikydami už žarnos.
9. Naudodami pneumatinius įrankius, neviršykite maksimalaus darbinio slėgio, nurodyto parametru „ps max“.
10. Pneumatiniai įrankiai turi būti varomi tik suspaustu oru, kurio slėgis yra mažiausias būtinas darbo procesui – taip sumažinamas triukšmas, vibracija ir nusidėvėjimas.
11. Deguonies ar degių dujų naudojimas darbui su pneumatiniiais įrankiais kelia gaisro ir sprogimo pavojų.
12. Atsargiai naudokite pneumatinius įrankius, nes jie gali atšalti, o tai turi įtakos sugriebimui ir valdymui.



### Papildomi įspėjimai apie įrankius su kontaktinio jungimo funkcija

1. Įmdami įrankį, perkeldami jį iš vienos darbo vietos (padėties) į kitą arba eidami, nelaikykite piršto ant jungiklio, nes taip galite netyčia įjungti įrankį.
2. Jei šis įrankis suteikia galimybę kalimo režimo jungikliu pasirinkti kontaktinį kalimą arba nuolatinį kontaktinį kalimą arba jei tai yra kontaktinio kalimo arba nuolatinio kontaktinio kalimo įrankis, pažymėtas šalia pateiktu simboliu, jis yra skirtas padėklų, baldų, skydinių namų gamybai, apraukimui, apkalimo ir kitiems gamybos darbams.
3. Nenaudokite šio įrankio kontaktinio kalimo režimu tokiems darbams, kaip dėžių užkalimui ir apsauginių transportavimo sistemų tvirtinimui prie sunkvežimių ir priekabų.
4. Įspėjimas, kad įrankį galima naudoti tik saugiose darbo vietose.
5. Būkite atsargūs gabendami įrankį iš vienos vietos į kitą.



### UŽTAISYMAS

1. Atjunkite įrankį nuo oro tiekimo sistemos. **(Figure 3)**
2. Atidarykite dėtuvę suspausdami įspraudus svirtį. **(Figure 4)**
3. Vinių įdėjimas: Laikykite dėtuvę nukreiptą žemyn ir įdėkite vinių juosteles į dėtuotę, kad smaigaliai būtų nukreipti žemyn. **(Figure 5)** Nuspauskite takelį kol jis įsistatys į vietą. **(Figure 6)**
4. Naudokite tik rekomenduojamus tvirtiklius (žr. technines charakteristikas).
5. Įrankis ir naudotojo vadove nurodytos tvirtinimo detalės laikomi vieno vieneto saugos sistema.

### KIO NAUDOJIMAS

1. Laikydami įrankį nukreiptą nuo savęs ir aplinkinių žmonių, prijunkite jį prie oro tiekimo sistemos. **(Figure 1)**
2. Įrankiu turi būti naudojama esant mažiausiam slėgiui, reikalingam tam tikrai operacijai atlikti. Tai sumažins triukšmo lygį, dalių nusidėvėjimą ir energijos išnaudojimą.
3. Prispauskite įrankio nosį prie apdirbamojo ruošinio, kurį norite pritvirtinti, ir paspauskite jungiklį, kad paleistų kabės. **(Figure 7)**  
Sureguliuokite mažiausią galimą slėgį, reikalingą tvirtiklių prasiskverbimui. Po to atlikite kelis bandymus, pradėdami nuo mažiausio slėgio.
4. Patikrinkite, ar tvirtinimo detalė į ruošinį įkalta pagal reikalavimus.  
– Jei tvirtinimo detalė iškilusi virš paviršiaus, didinkite oro slėgį 0,5 baro žingsniais, po kiekvienos korekcijos tikrinami rezultatai.  
– Jei tvirtinimo detalė įkalta pernelyg giliai, mažinkite oro slėgį 0,5 baro žingsniais, kol pasieksite pageidaujamus rezultatus.
5. Visais atvejais stenkitės dirbti su mažiausiu įmanomu oro slėgiu.
6. Dirbdami įrankį laikykite taip, kad galbūt įvykus atotrakai dėl elektros tiekimo sutrikimo ar kiety ruošinio dalių nebūtų įmanoma susižaloti galvos ar kūno.
7. Įrankį reikia atjungti nuo suspausto oro sistemos prieš transportuojant, ypač jei naudojamos kopėčios ar judant užimama neįprasta padėtis.
8. Tvirtinimo detalių kalimo įrankį darbo vietoje nešiokite laikydami tik už rankenos, niekada nedarykite to liesdami jungiklį.
9. Atsižvelkite į darbo vietoje esančias sąlygas. Tvirtinimo detalės gali prakirsti plonus ruošinius arba nuslysti nuo ruošinių kampų ar kraštų ir taip sukelti pavojų žmonėms.
10. Asmens saugos sumetimais naudokite apsauginę įrangą, pvz., klausos ir akių apsaugas.
11. Kiekvieną kartą kalant turi būti įjungiamas jungiklis ir saugos sankaba, jų įjungimo tvarka nėra svarbi. Pakartotinai kalant pakanka, kad jungiklis liktų įjungtas, o saugos sankaba būtų įjungta, ir atvirksčiai.
12. Venkite jungti įrenginį, jei dėtuvė tuščia.
13. Bet kokį sugedusį ar netinkamai veikiančią įrankį būtina nedelsiant atjungti nuo suspausto oro šaltinio ir perduoti specialistui apžiūreiti.
14. Jei numatomos ilgesnės darbo pertraukos arba baigiantis pamainai, atjunkite įrankį nuo suspausto oro šaltinio. Rekomenduojama taip pat ištuštinti dėtuvę.
15. Įrankio suspausto oro jungtis ir žarnos reikia saugoti nuo užteršimo. Dėl patekusių šiurkščių dulkių, atplaišų, smėlio ir kt. atsiras nutękėjimas ir bus pažeistas įrankis bei movos.

### SUSPAUSTO ORO SISTEMA

1. Tinkamam tvirtinimo detalių kalimo įrankio veikimui būtinas filtruotas, sausas < i> ir suteptas > suspaustas oras tinkamai kiekiams. **(Figure 11)**
2. Jei linijos sistemoje oro slėgis viršija maksimalų leidžiamą tvirtinimo detalių kalimo įrankiui, tiekimo įrankiui linijoje papildomai reikia sumontuoti slėgio

- mažinimo vožtuvą ir už jo pasroviui – saugos vožtuvą.
3. Tvirtinimo detalių kalimo įrankį prie suspausto oro tiekimo šaltinio prijunkite naudodami tinkamo slėgio žarną su sparčiojo veikimo jungtimis. **(Figure 1)**
  4. Kompresorius turi būti tinkamų matmenų tiekiamo slėgio ir našumo (tūrinio srauto), kad atitiktų sąnaudas, kurių tikimasi. Linijos ilgio atžvilgiu per mažos linijos sekcijos (vamzdžiai ir žarnos) ir per didelę kompresoriaus aprova lems slėgio kritimą.
  5. Nuolatiniam naudojimui sumontuoto oro vamzdžio vidinis skersmuo turi būti bent 19 mm, o santykinai ilgo vamzdžio ar kelių naudotojų vietose skersmuo turi būti atitinkamo dydžio.
  6. Suspausto oro vamzdynas turi būti sumontuotas taip, kad suformuotų nuolydį (aukščiausias taškas – ties kompresoriumi). Žemiausiuose taškuose reikia sumontuoti lengvai pasiekiamus vandens skyriklius.
  7. Naudotojams skirtos jungtys prie vamzdžio turi būti jungiamos ir viršaus.
  8. Tvirtinimo detalių kalimo įrankių jungimo vietas reikia sumontuoti su suspausto oro tiekimo prietaisu (filtru, vandens skyrikliu arba tepaline) ties jungtimi.
  9. Tepalines būtina tikrinti kasdien ir prireikus papildyti rekomenduojamos klasės tepalu (žr. TECHNINIUS DUOMENIS). Jei naudojamos ilgesnės nei 10 m žarnos, tepalo tiekimo tvirtinimo detalių kalimo įrankiui užtikrinti neįmanoma. Todėl rekomenduojame 2–5 lašus (priklausomai nuo tvirtinimo detalių kalimo įrankio įkrovos) rekomenduojamo tepalo (žr. TECHNINIUS DUOMENIS) įlašinti per įrankio oro tiekimo angą arba per tiesiogiai prie tvirtinimo detalių kalimo įrankio pritvirtintą tepalinę.

### GEDIMŲ ŠALINIMAS IR PRIEŽIŪRA

1. Jeigu kabė įstrigo, atjunkite įrankį nuo oro tiekimo. **(Figure 3)**
2. Atidarykite dėtuvę ir išstumkite takėlį su tvirtikliais. **(Figure 8)** Išimkite įstrigusius tvirtiklius.
3. Arba atlaisvinkite du priekinio dangtelio varžtus ir jų ištraukite. **(Figure 9)** Išimkite užstrigusią smeigę.

**(Figure 10)** Vėl uždėkite priekinį dangtelį ir priveržkite varžtus.

### PRIEŽIŪRA:

1. Kasdien, kai įrankis atjungtas nuo oro tiekimo, atlikite apžiūrą, kad įsitikintumėte laisvu apsauginės apkabos ir jungiklio judėjimu.
2. Visos sąvaržos turi būti tvirtai ir stipriai suveržtos. **(Figure 2)**  
Jeigu sąvaržos nepritvirtintos, įrankiu bus nesaugu naudotis, galimas dalių lūžimas. Įlašinkite 2-3 tepalo lašus į oro emiklį.
3. Naudokite tik techninių charakteristikų skyriuje rekomenduojamą alyvą. Laikykitės įrankį švarų. Reguliariai valykite sausu skuduru, ir apžiūrėkite, ar nesusidėvėjo dalys. Tepkite slenkstančias dėtuves dalis karts nuo karto, kad išvengtumėte nusidėvėjimo.
4. Nenaudokite degių valymo tirpalų. Nemirkykite ir nenaudokite tirpinančiųjų medžiagų, jos gali pažeisti germetinius tarpiklius ir kitas jautrias įrankio dalis. Naudokite švarų, sausą orą. Geriausiai naudoti suspausto oro technologinį aparatą, pastatytą prieš įrankio pajungimą. Remonto ir taisymo darbai neaprašyti šioje instrukcijoje turi būti vykdomi kvalifikuotų apmokytų darbuotojų arba garantinio gamintojo serviso atstovų.

### ATSARGINIŲ DALIŲ SĄRAŠAS

Išmesdami įrankį laikykitės vietinių teisės aktų.

### PMP171 Atsarginių dalių sąrašas (Figure 12)

Indeksas	Kat. Nr.	Aprašas
A	5001346	Galvutės vožtuvo, cilindro ir stūmoklio rinkinys
B	5001347	Saugumo ir gaiduko rinkinys
C	5001348	Dėtuves rinkinys

## PNEIMATISKAIS NAGLOTĀJS PMP171

Lietošanas instrukcija - tulkojums no oriģināla

LV

### TEHNISKĀS SPECIFIKĀCIJAS

Instrumenta izmērs	Augstums	190 mm
	Garums	230 mm
	Platums	48 mm
	Svars bez naglas	0,95 kg
	Svars bez smagākajām naglām	0,96 kg
Gaisa ieplūde		1/4"
Maksimāli pieļaujams darba spiediens		8 bar
Darba spiediens	Minimālais	5 bar
	Maksimālais	7 bar

Iedarbināšanas sistēma	Kontakta ieslēgšana	
Ieteicamās saspraudes	Rapid 23P: 15 -> 35 mm	
Naglas izmēri	Ø0,64mm - 23Ga	
Ietilpība	150	
Ieteicamā pneimatiskā eļļa	Hydraulic oil ISO 46 or equivalent	
Trokšņu informācija (EN 12549:1999)	LpA, 1s, d	70,9 dB
	mainīgums	2,5 dB
	LwA, 1s, d	83,9 dB
	mainīgums	2,5 dB
	LpC, maksimums	109 dB
mainīgums	2,5 dB	

Šīs vērtības ir instrumentam raksturīgas vērtības, kas neattēlo lietošanas laikā radīto troksni. Troksnis lietošanas laikā būs atkarīgs, piemēram, no darba vides, izmantojamā materiāla, balsta un pārnēsuma. Arī darbavietas iekārtojums var palīdzēt samazināt trokšņu līmeni, piemēram, ja materiāls tiek novietots uz skaņu slāpējošiem balstiem.

Vibrācijas informācija (ISO 8662-11:1999)	Vibrācijas	2,24 m/s <sup>2</sup>
		mainīgums

Šī vērtība ir instrumentam raksturīga vērtība, kas neattēlo iedarbību uz rokām instrumenta lietošanas laikā. Jebkura iedarbība uz rokām instrumenta lietošanas laikā būs atkarīga, piemēram, no satveršanas spēka, piespiešanas spēka, virziena, enerģijas pievades regulēšanas, izmantojamā materiāla un balsta.

## APZĪMĒJUMI

Tālāk ir norādīti aprīkojumam izmantotie apzīmējumi. Pirms lietošanas pārlicinieties, ka saprotat to nozīmi.



Izlasiet un izprotiet instrumenta etiķetes un lietošanas rokasgrāmatu. Neievērojot brīdinājumus, varat gūt nopietnas traumas.



Operatoriem un citām darba zonā esošām personām jāvalkā triecienizturīgas aizsargbrilles ar sānu aizsargiem.



Operatoriem un citām darba zonā esošām personām jāvalkā dzirdes aizsardzības līdzekļi.



Instrumentu var izmantot kontakta iedarbināšanas režīmā.



Neizmantojiet instrumentu, ja atrodaties uz svariem, kāpnēm vai sastatnēm, pieslienamajām kāpnēm vai tām līdzīgām konstrukcijām, piemēram, jumta listēm, kā arī aizverot kastes vai deģļu kastes, uzstādot pārvadāšanas drošības sistēmas, piemēram, transportlīdzekļos un platformās.



Nekādā gadījumā neizmantojiet skābekli, oglekļa dioksīdu vai citu balonu gāzi kā šī instrumenta enerģijas avotu.

## VISPĀRĒJIE DROŠĪBAS BRĪDINĀJUMI

1. Lai gādātu par savu drošību un pareizu instrumenta darbību un apkopi, pirms tā lietošanas izlasiet šo lietošanas rokasgrāmatu.
2. Saglabājiet visus brīdinājumus un norādījumus turpmākai atsaucēi.
3. Instruments ir paredzēts tikai profesionālai lietošanai.



Neizmantojiet to citiem nolūkiem. Tas nav paredzēts stiprinājumu ievadīšanai tieši cietā virsmā, piemēram, tēraudā vai betonā.

4. Lietotājam ir jāievērtē katrā lietošanas reizē esošie specifiskie riski.
5. Šo instrumentu ir atļauts izmantot tikai paredzētajam mērķim. Stiprinājumu ievadīšanas instrumentus ar pastāvīgu kontakta iedarbināšanas vai kontakta iedarbināšanas funkciju var izmantot tikai ražošanas darbībām.
6. Neizmantojot instrumentu un pārejot uz citu darbības pozīciju, neturiet pirkstus trigeru tuvumā.
7. Vairāki apdraudējumi. Pirms pievienošanas, atvienošanas, iekraušanas, lietošanas, uzturēšanas, piederumu maiņas vai darba instrumenta tuvumā izlasiet un izprotiet drošības norādījumus. Pretējā gadījumā varat gūt nopietnus miesas bojājumus.
8. Gādājiet, lai nekādas ķermeņa daļas, piemēram, plaukstas un kājas, neatrastos mērķēšanas virzienā un lai stiprinājumi nevarētu savainot ķermeņa daļas, caurdurot sagatavi.
9. Ņemiet vērā, ka instrumenta izmantošanas laikā stiprinājums var novirzīties un izraisīt ievainojumus.
10. Stingri satveriet instrumentu, lai atsitiena gadījumā nezaudētu kontroli.
11. Stiprinājumu ievades instrumentu drīkst izmantot tikai operatori ar tehniskām zināšanām.
12. Nepārveidojiet stiprinājumu ievades instrumentu. Pārveidojumi var mazināt drošības pasākumu efektivitāti un palielināt operatora un/vai apkārtējo cilvēku traumu risku.
13. Neizmetiet lietošanas rokasgrāmatu.
14. Neizmantojiet instrumentu, ja tas ir bojāts.
15. Rīkojieties ar stiprinājumiem uzmanīgi, jo īpaši iekraušanas un izkraušanas laikā, jo stiprinājumiem ir asi gali, kas var izraisīt traumas.
16. Pirms lietošanas vienmēr pārbaudiet, vai instrumenta daļas nav salūzušas, nepareizi pievienotas vai nolietotas.
17. Nepārsniedziet darba zonu. Izmantojiet instrumentu tikai drošā darba vidē. Vienmēr stāviet stabili un uz drošas virsmas.
18. Neļaujiet apkārtējam personām tuvoties aprīkojumam (strādājot zonā, kurā notiek personu pārvietošanās). Skaidri atzīmējiet savu darba zonu.
19. Nekad nevērsiet instrumentu pret sevi vai citiem.
20. Neatbalstiet pirkstu pret trigeri, paceļot instrumentu, pārvietojoties starp darba zonām un pozīcijām vai staigājot, jo pirksta atbalstīšana pret trigeri var aktivizēt neplānotu darbību. Ja izmantojat instrumentus ar selektīvās iedarbināšanas funkciju, pirms lietošanas vienmēr pārbaudiet instrumentu un pārlicinieties, ka ir atlasīts pareizais režīms.
21. Valkājiet tikai tādus cimdus, ar kuriem var pienācīgi sajūst trigeri un nodrošināt trigeru un citu regulējamo ierīču drošu vadību.
22. Ja instrumentu neizmantojat, novietojiet to uz līdzēnas virsmas. Ja izmantojat instrumentu, kas aprīkots ar āķi, stingri pieķēji instrumentu uz stabilas virsmas.
23. Neizmantojiet instrumentu alkohola, narkotiku un citu apreibinošu vielu ietekmē.
24. Neizmantojiet instrumentu, ja atrodaties uz svariem, kāpnēm vai sastatnēm,



pieslienamajām kāpnēm vai tām līdzīgām konstrukcijām, piemēram, jumta listēm, kā arī aizverot kastes vai redzeļu kastes, uzstādot pārvadāšanas drošības sistēmas, piemēram, transportlīdzekļos un platformās.

### Tēmēšanas radītais apdraudējums

1. Stiprinājumu ievadīšanas instruments jāatvieno stiprinājumu izkraušanas, pielāgošanas, sastrēgumu tīrīšanas un piederumu maiņas laikā.
2. Darbības laikā uzmanieties, lai stiprinājumi pareizi caurdurtu materiālu un lai tie netiktu saliekti/nepareizi izšauti operatora un/vai apkārtējo personu virzienā.
3. Darbības laikā no sagataves un stiprinājuma/ komplektēšanas sistēmas var izdalīties būvgrūži.
4. Izmantojot elektriskos instrumentus, vienmēr valkājiet aizsargbrilles, lai pasargātu acis no traumām. Brillēm ir jāatbilst standartam ANSI Z87.1 ASV, standartam EN 166 Eiropā vai standartam AS/NZS 1336 Austrālijā/Jaunzēlandē. Saskaņā ar Austrālijas/Jaunzēlandes tiesību aktiem sejas aizsardzībai nepieciešams valkāt arī sejas aizsegu. Darba devēja pienākums ir nodrošināt, lai instrumenta operatori un citas personas, kas atrodas tiešā darba zonā, izmantotu atbilstošus drošības aizsardzības līdzekļus.
5. Operatoram ir jāizvērtē risks, kādam pakļautas citas personas.
6. Rikojieties uzmanīgi ar instrumentiem, kas nav saskarē ar sagatavi, jo tos var nejauši izšaut un ievainot operatoru un/vai apkārtējās personas.
7. Ģādājiet, lai instruments vienmēr būtu stingri piestiprināts sagatavei un nevarētu noslidēt.
8. Valkājiet galvas aizsardzības un dzirdes aizsardzības līdzekļus, lai pasargātu ausis no izplūdes trokšņiem. Valkājiet arī vieglu, bet ne valģiju apģērbu. Piedurknes jāaizpogā vai jāatroti. Nevalkājiet kaklasaiti.



### Apdraudējums darbības laikā

1. Turiet instrumentu pareizi: esiet gatavs parastām vai pēkšņām kustībām, piemēram, atsitienam.
2. Turiet ķermeni stabili un stāviet uz drošas virsmas.
3. Izmantojiet atbilstošas aizsargbrilles, kā arī ieteicams valkāt atbilstošus cimdus un aizsargapģērbu.
4. Valkājiet atbilstošus dzirdes aizsardzības līdzekļus.
5. Izmantojiet lietošanas rokasgrāmatā norādīto atbilstošo enerģijas pievadu.
6. Neizmantojiet instrumentu uz kustīgām platformām vai kravas automobiļa aizmugurē. Platformas pēkšņas kustības gadījumā varat zaudēt kontroli pār instrumentu un gūt traumas.
7. Vienmēr pieņemiet, ka instrumentā ir ielādēti stiprinājumi.
8. Nesasteidziet darbu un neizmantojiet instrumentu ar spēku. Rikojieties ar instrumentu uzmanīgi.
9. Rikojoties ar instrumentu, ieņemiet stabiliu pozu un pievērsiet uzmanību virsmai, uz kuras stāvat. Strādājot augstumā, pārliecinieties, ka neviens neatrodas zem jums, un nostipriniet gaisa šļūteni, lai neradītu apdraudējumu pēkšņas straujas kustības vai tvēriena maiņas gadījumā.
10. Uz jumta un citās augstās vietās, ievadot stiprinājumus, pārvietojieties uz priekšu. Ja ievadāt stiprinājumus, ejot atpakaļ, varat viegli zaudēt līdzsvaru. Ievadot

stiprinājumus perpendikulāri virsmai, strādājiet virzienā no augšas uz apakšu. Tādā veidā tik ātri nenogursiet.

11. Ja kļūdaini ievadīsiet stiprinājumu uz cita stiprinājuma vai tas atdursies pret dēli esošu zara vietu, stiprinājums tiks saliekts un instruments var iesprūst. Stiprinājums var tikt aizsviests un kādam trāpīt, kā arī pašā instrumenta reakcija var būt bīstama. Ievadiet stiprinājumus uzmanīgi.
12. Neatstājiet ielādētu instrumentu vai gaisa kompresoru, kurā ir spiediens, ilgstoši saulē. Pārliecinieties, ka vietā, kur atstājat instrumentu, nevar iekļūt puteklī, smiltis, skaidas un svešķermeņi.
13. Nekādā gadījumā neevadiet stiprinājumus vienlaikus no iekšpuses un ārpusēs. Stiprinājumi var salūzt un/vai aizlidot, radot nopietnas briesmas.

### Atkārtotu kustību radītais apdraudējums

1. Lietojot instrumentu ilgstoši, operators var izjust diskomfortu plaukstās, rokās, plecos, kaklā vai citās ķermeņa daļās.
2. Instrumenta izmantošanas laikā operatoram ir jāieņem piemērota, taču ergonomiska poza. Stāviet uz drošas virsmas un ieņemiet neierastu vai nestabilu pozu.
3. Ja operators novēro tādus simptomus kā pastāvīgs vai atkārtots diskomforts, sāpes, pulsējošas sāpes, tirpšāna, nejutīgums, dedzināšanas sajūta vai stīvums, uz šīm brīdinājuma pazīmēm attiecīgi jāreaģē. Operatoram jāvērtē pie kvalificēta arodveselības speciālista par turpmāko rīcību.
4. Nepārtraukta instrumenta lietošana un tā radītais atsitēns var izraisīt traumas atkārtotas spriedzes un piepūles dēļ.
5. Lai izvairītos no atkārtotas spriedzes un piepūles izraisītām traumām, operatoram nevajadzētu pārsniegt darba zonu vai izmantot pārmērīgi lielu spēku. Turklāt, sajūtot nogurumu, operatoram ir jāatpūšas.
6. Izvērtējiet atkārtotu kustību radīto apdraudējumu. Pievērsiet uzmanību muskuļu un skeleta saslimšanām, pieņemot, ka noguruma mazināšana darba laikā ir efektīvs veids, kā tās novērst.

### Ar piederumiem un palīgmateriāliem saistītais apdraudējums

1. Pirms piederumu, piemēram, sagataves kontakta, maiņas/aizstāšanas vai pielāgošanas atvienojiet instrumenta enerģijas pievadu, piemēram, gaisa vai gāzes pievadu vai akumulatoru, ja nepieciešams.
2. Izmantojiet tikai ražotāja nodrošinātos piederumu izmērus un tipus.
3. Izmantojiet tikai šajā rokasgrāmatā ieteiktās smērēļļas.

### Apdraudējums darba vietā

1. Galvenie traumu cēloņi darba vietā ir paslīdēšana, aizķeršanās un kritieni. Uzmanieties, jo instrumenta lietošanas dēļ virsmas var kļūt slidenas un, izmantojot gaisa šļūteni, varat pakļaut.
2. Nepazīstamās vietās rikojieties īpaši piesardzīgi. Nemiet vērā, ka pastāv slēpti apdraudējumi, ko izraisa, piemēram, elektrības vai citas pārvades līnijas.
3. Šo instrumentu nav paredzēts izmantot sprādzienbīstamā vidē, un tas nav izolēts, nokļūstot saskarē ar elektrisko strāvu.
4. Pārliecinieties, ka apkārt nav elektrības kabeļu, gāzes vadu un citu priekšmetu, kas varētu radīt apdraudējumu, ja instruments tos sabojātu.
5. Darba zonai jābūt tīrai un labi apgaismotai. Pārblīvētās



vai tumšās vietās negadījumi notiek biežāk.

4. Jūsu atrašanās vietā var būt spēkā vietējie noteikumi, kas nosaka trokšņa līmeņa pieļaujamās robežas. Dažos gadījumos trokšņa ierobežošanai jāizmanto aizbīdņi.

### **Putekļu un izplūdes plūsmas radītais apdraudējums**

1. Vienmēr pārbaudiet apkārtni. No instrumenta izplūstošais gaiss var izpūst putekļus vai citus priekšmetus un ar spēku trāpīt operatoram un/vai apkārtējām personām.
2. Lai pēc iespējas samazinātu putekļu izplatīšanos puteklainā vidē, vērsiet izplūdes plūsmu konkrētā virzienā.
3. Ja darba zonā tiek izpūsti putekļi vai priekšmeti, pēc iespējas samaziniet izpūšanu, lai novērstu veselības apdraudējumu un traumu risku.

### **Trokšņa radītais apdraudējums**

1. Uzturēšanās vidē ar augstu trokšņa līmeni bez aizsarglīdzekļiem var izraisīt neatgriezenisku, invaliditāti izraisošu dzirdes zudumu un citas problēmas, piemēram, tinnību (zvanišanu, dūkoņu, svilpošanu vai šņākšanu ausīs).
2. Izvērtējiet darba zonā esošā trokšņa radīto apdraudējumu un veiciet apdraudējumam atbilstošus kontroles pasākumus.
3. Atbilstošie riska mazināšanas kontroles pasākumi var ietvert skaņu slāpējošu materiālu lietošanu, lai novērstu sagataves "zvanišanu".
4. Izmantojiet piemērotus dzirdes aizsardzības līdzekļus.
5. Lai nepieļautu nevajadzīgu trokšņa līmeņa palielināšanos, darbiniet un uzturiet instrumentu saskaņā ar šiem norādījumiem.
6. Veiciet trokšņa vājināšanas pasākumus, piemēram, novietojiet sagataves uz skaņu slāpējošiem balstiem.

### **Vibrācijas radītais apdraudējums**

1. Darbības laikā radītā vibrācija ir atkarīga no satveršanas spēka, kontaktspiediena spēka, darba virziena, enerģijas pievada pielāgošanas, sagataves un sagataves balsta. Izvērtējiet vibrācijas radīto apdraudējumu un veiciet apdraudējumam atbilstošus kontroles pasākumus.
2. Vibrācija var radīt invaliditāti izraisošus nervu bojājumus un traucēt asins plūsmu uz plaukstām un rokām.
3. Strādājot aukstā vidē, valkājiet siltas drēbes un gādājiet, lai rokas būtu siltas un sausas.
4. Ja jūsu pirksti vai plaukstas kļūst nejutīgas, tirpst, sāp vai to āda kļūst balta, vērsieties pēc medicīniskas palīdzības pie kvalificēta arodveselības speciālista par turpmāko rīcību.
5. Lai nepieļautu nevajadzīgu vibrācijas līmeņa palielināšanos, darbiniet un uzturiet instrumentu saskaņā ar šiem norādījumiem.
6. Turiet instrumentu ar vieglu, taču drošu satvērienu, jo cieša satvēriena gadījumā vibrācijas radītais risks parasti ir lielāks.

### **Papildu brīdinājumi pneimatisko instrumentu izmantošanas gadījumā**

1. Saspiests gaiss var izraisīt nopietnas traumas.
2. Kad beidzat izmantot instrumentu, vienmēr izslēdziet gaisa padevi un atvienojiet no tās instrumentu.
3. Vienmēr atvienojiet instrumentu no saspiesta gaisa padeves līnijas, pirms maināt piederumus, veicat

pielāgojumus un/vai labojumus un pārvietojaties no darba zonas uz citu zonu.

4. Neizmantojot instrumentu un pārejot uz citu darbības pozīciju, neturiet pirkstus trigerā tuvumā.
5. Nekad nevērsiet saspiesta gaisa plūsmu pret sevi vai citiem.
6. Šļūtenes var sākt nekontrolēti kustēties, izraisot nopietnas traumas. Vienmēr pārbaudiet, vai šļūtenes un montāžas savienojumi nav bojāti vai vaļīgi.
7. Nekādā gadījumā nepārvietojiet pneimatiskos instrumentus, turot tos aiz šļūtenes.
8. Nekādā gadījumā nevelciet pneimatiskos instrumentus, turot tos aiz šļūtenes.
9. Darbā ar pneimatiskajiem instrumentiem nepārsniedziet maksimālo darba spiedienu "ps max".
10. Lai mazinātu troksni, vibrāciju un nolietošanas, pneimatiskos instrumentus drīkst darbināt tikai ar saspiestu gaisu ar zemāko darbam nepieciešamo spiedienu.
11. Pneimatisko instrumentu darbināšana ar skābekli vai uzliesmojošām gāzēm var izraisīt ugunsgrēku un sprādzienu.
12. Rīkojieties ar pneimatiskajiem instrumentiem uzmanīgi, jo instruments var kļūt auksts, ietekmējot satvērienu un kontroli pār instrumentu.



### **Papildu brīdinājumi, ja izmantojat instrumentus ar kontakta iedarbināšanas funkciju**

1. Neatbalstiet pirkstu pret trigeri, paceļot instrumentu, pārvietojoties starp darba zonām un pozīcijām vai staigājot, jo pirksta atbalstīšana pret trigeri var aktivizēt neplānotu darbību.
2. Ja šis instruments nodrošina selektīvo ieslēgšanu kontakta ieslēgšanai vai pastāvīgu kontakta ieslēgšanu, izmantojot ieslēgšanas režīma selektorus, vai ja tas ir kontakta ieslēgšanas vai pastāvīgas ieslēgšanas kontakta instruments un marķēts ar blakus esošo simbolu, to paredzēts izmantot, piemēram, paliktņu, mēbelu, rūpniecisko korpusu, tapšējumu un aizsargpārklājumu ražošanā.
3. Neizmantojiet šo instrumentu kontakta ieslēgšanā tādiem mērķiem kā kārbu vai redzeļu kastu aizvēršana un transportēšanas drošības sistēmu uzstādīšanai uz piekabēm un kravas automašīnām.
4. Brīdinājums par to, ka instrumentu drīkst izmantot tikai drošās darba vietās.
5. Mainot vienu braukšanas vietu uz citu, ievērojiet piesardzību.



### **IELĀDĒŠANA**

1. Atvienojiet instrumentu no gaisa padeves. **(Figure 3)**
2. Atbrīvojiet kaseti, saspiežot mēlītes sviru. **(Figure 4)**
3. Tapu ielādēšana: Turiet naglu pistoli vērstu lejup un ielādējiet naglu sloksni kasetē, ar smailēm vērstām lejup. **(Figure 5)** Piespiediet sliedi, līdz tā noklikšķ savā vietā. **(Figure 6)**
4. Lietojiet tikai ieteicamās saspraudes (skatīt tehniskās specifikācijas).
5. Lietošanas norādījumos minētais instruments un stiprinājumi ir jāuztver kā viena drošības sistēmas vienība.

## INSTRUMENTA LIETOŠANA

1. Turiet instrumentu vērstu prom no sevis un citiem un pievienojiet instrumentu gaisa padevei. **(Figure 1)**
2. Instruments jāizmanto ar zemāko spiedienu, kas nepieciešams darbam. Tādējādi tiks samazināts trokšņu līmenis, daļu nolietošanās un enerģijas patēriņš.
3. Piespiediet instrumenta priekšgalu piestiprināmajam materiālam un nospiediet mēlīti, lai izšautu skavas. **(Figure 7)**  
Pielāgojiet minimālo spiedienu, kas nepieciešams saspraucēt iespiešanai. Pēc tam veiciet dažas pārbaudes, sākot ar zemāko spiedienu.
4. Pārbaudiet, vai stiprinājums ir ievadīts sagatavē atbilstoši prasībām.
  - Ja stiprinājums ir izvērsts uz āru, palieliniet gaisa spiedienu par 0,5 bāriem, pārbaudot rezultātu pēc katras jaunas korekcijas.
  - Ja stiprinājums ir iebīdīts par dziļu, samaziniet gaisa spiedienu par 0,5 bāriem, līdz rezultāts ir apmierinošs.
5. Izmantojiet pēc iespējas mazāku gaisa spiedienu jebkurā situācijā.
6. Darbības laikā turiet instrumentu tā, lai ar to netraumētu galvu vai ķermeni iespējama atsitienu gadījumā, kas var rasties enerģijas pievada traucējumu dēļ vai cietu sagataves zonu gadījumā.
7. Lai instrumentu pārvietotu, tas jāatvieno no saspiesta gaisa padeves sistēmas, jo īpaši tad, ja izmantojat pieslienamās kāpnes vai kustības laikā jāienem neierasta ķermeņa poza.
8. Pārvietojot instrumentu darba zonā, turiet to tikai aiz roktura un nekādā gadījumā neiedarbiniet trigeri.
9. Nemiet vērā darba zonas apstākļus. Stiprinājumi var caurdurt plānas sagataves vai noslidēt no sagatavju stūriem un malām, pakļaujot briesmām apkārtējās personas.
10. Rūpējoties par savu drošību, izmantojiet aizsargapriekojumu, piemēram, dzirdes un acu aizsardzības līdzekļus.
11. Katrā ievadīšanas darbībā jāiedarbina trigeris un drošības aptvere — iedarbināšanas secība nav noteikta. Atkārtotu ievadīšanas darbību veikšanas gadījumā trigeris var arī palikt aktivizēts, drošības aptveri aktivizējot pēc tam, vai pretēji.
12. Nepieļaujiet instrumenta aktivizēšanu ar trigeri, ja apskava ir tukša.
13. Ja instruments ir bojāts vai nedarbojas pareizi, tas nekavējoties jāatvieno no saspiesta gaisa padeves sistēmas un jānodod speciālistam pārbaudei.
14. Pirms ilgākiem darba pārtraukumiem vai darba maiņas beigās atvienojiet instrumentu no saspiesta gaisa padeves sistēmas un, ja iespējams, iztukšojiet apskavu.
15. Instrumenta un šļūtenu saspiesta gaisa padeves savienotāji jāsarģā no piesārņojuma. Rupīgi putekļu, skaidu, smilšu un citu daļiņu ieplūšanas dēļ radīsies noplūdes, kā arī tiks sabojāts instruments un savienojumi.

## SASPIESTA GAISA PADEVES SISTĒMA

1. Lai stiprinājumu ievadīšanas instruments darbotos pareizi, nepieciešams pievadīt piemērotu daudzumu filtrēta, sausa < un ieeļļota > saspiesta gaisa. **(Figure**

## 11)

2. Ja gaisa spiediens gaisvada sistēmā pārsniedz stiprinājumu ievadīšanas instrumenta maksimāli pieļaujamo spiedienu, instrumenta padeves līnijā papildus jāuzstāda spiediena samazināšanas vārsts un aiz tā — pakārtotais drošības vārsts.
3. Pievienojiet stiprinājumu ievadīšanas instrumentu saspiesta gaisa padeves sistēmai, izmantojot piemērotu spiediena šļūteni, kas aprīkota ar ātrdarbības savienotājiem. **(Figure 1)**
4. Kompresoru stacijas izmēram jāatbilst paredzamā patēriņa spiediena izvades un veikspējas (tilpuma plūsmas) prasībām. Gaisvada sekcijas, kas ir pārāk mazas attiecībā pret gaisvada garumu (caurulēm un šļūtenēm), kā arī kompresora pārslodzošana izraisīs spiediena kritumu.
5. Pastāvīgā pozīcijā novietotu saspiesta gaisa cauruļvadu iekšējam diametram jābūt vismaz 19 mm ar atbilstīgu ārējo diametru, ja izmantojat samērā garus cauruļvadus vai tos izmanto vairāki lietotāji.
6. Saspiesta gaisa cauruļvadi jānovieto tā, lai tie veidotu gradientu (ar augstāko punktu kompresora virzienā). Zemākajos punktos jāuzstāda viegli pieejami ūdens separatori.
7. Lietotājiem paredzētie mezgli jāpievieno cauruļvadiem no augšas.
8. Stiprinājumu ievadīšanas instrumentu savienojuma punkti jāuzstāda tieši pie mezgla, izmantojot saspiesta gaisa apkopes iekārtu (filtrs/ūdens separators/eļļotājs).
9. Eļļotāji jāpārbauda katru dienu un, ja nepieciešams, jāpārklāj ar ieteiktās klases eļļu (sk. TEHNISKIE DATI) Ja izmantoto šļūtenu garums pārsniedz 10 m, eļļas padevi stiprinājumu ievadīšanas instrumentam nevar garantēt. Tādēļ ieteicams pievienot 2–5 pilienus (atkarībā no stiprinājumu ievadīšanas instrumenta noslogojuma) ieteiktās eļļas (sk. TEHNISKIE DATI), izmantojot instrumenta gaisa ievades vietu vai tieši stiprinājumu ievadīšanas instrumentam pievienotu eļļotāju.

## TRAUCĒJUMMEKLĒŠANA UN AKPOKE

1. Ja skava ir iesprūdsusi, atvienojiet instrumentu no gaisa padeves. **(Figure 3)**
2. Atbrīvojiet kaseti un pastumiet sliedi atpakaļ. **(Figure 8)** Izņemiet iesprūdušās saspraudes.
3. Varat arī palaist vaļīgāk abas skrūves uz priekšējā pārsega un izvilkt kaseti. **(Figure 9)** Izņemiet iestrēgušo šāvīņu. **(Figure 10)** Atkārtoti uzlieciet priekšējo pārsegu un pievelciet skrūves ciešāk.

## AKPOKE:

1. Kad instruments ir atvienots no gaisa padeves, ik dienas veiciet pārbaudi, lai nodrošinātu drošības sastiprinājuma un mēlītes brīvu kustību.
2. Visām skrūvēm jābūt cieši nostiprinātām. **(Figure 2)** Vaļīgas skrūves ir iemesls nedrošam darbam un daļu bojājumiem. Iešļāciet 2 vai 3 eļļas pilītes gaisa ieplūdē.
3. Lietojiet tikai ieteicamo eļļu, kas norādīta tehniskajās specifikācijās. Uzturiet instrumentu tīru. Regulāri noslaukiet to ar sausu drānu un pārbaudiet nolietojumu. Laiku pa laikam ieeļļojiet kasetes slidošās daļas, lai novērstu nolietojumu.
4. Nelietojiet viegli uzliesmojošus tīrīšanas šķidrumus. Nemērcējiet un nelietojiet šķīdinātāju - tas var bojāt

bīves un citas jutīgas instrumenta daļas. Lietojiet tīru, sausu gaisu. Labāk lietojiet saspīesta gaisa apstrādes iekārtu ar plūsmas virzienu uz instrumenta savienojumu. Remonta darbus, kas nav augstāk aprakstīti, drīkst veikt tikai apmācīts, kvalificēts personāls vai ražotāja pēc pārdošanas servisa speciālisti.

## REZERVES DAĻU SARAKSTS

Atbrīvojoties no instrumenta, ievērojiet vietējos likumus.

## PMP171 Rezerves daļu saraksts (Figure 12)

Indekss	Precis Nr.	Apraksts
A	5001346	Galvas vārsta, cilindra un virzuļa komplekts
B	5001347	Drošības un gaiļa komplekts
C	5001348	Kasetes komplekts

# PNEUMATICKÁ HŘEBÍKOVÁ SBÍJEČKA PMP171

## Návod k obsluze - překlad originálu

CZ

### TECHNICKÉ ÚDAJE

Velikost nástroje	Výška	190 mm
	Délka	230 mm
	Šířka	48 mm
	Hmotnost bez hřebíku	0,95 kg
	Hmotnost s nejtěžšími hřebíky	0,96 kg
Prívod vzduchu		1/4"
Max. přípustný provozní tlak		8 bar
Provozní tlak	Mini	5 bar
	Maxi	7 bar
ovládací systém		Dotykové ovládání
Doporučené upínací prvky		Rapid 23P: 15 -> 35 mm
Rozměry hřebíku		Ø0,64mm - 23Ga
Kapacita		150
Doporučený pneumatický olej		Hydraulický olej ISO 46 nebo ekvivalent
Informace ohledně hluku (EN 12549:1999)	LpA, 1s, d	70,9 dB
	proměnlivost	2,5 dB
	LwA, 1s, d	83,9 dB
	proměnlivost	2,5 dB
	LpC, vrchol	109 dB
	proměnlivost	2,5 dB

Tyto hodnoty jsou charakteristické hodnoty související s daným nástrojem a nevyjadřují hluk během používání. Hluk vznikající během používání závisí například na pracovním prostředí, obráběném dílu, upevnění obráběného dílu a počtu operací připravení. Snížení hladiny hluku můžete také docílit vhodným provedením pracovního prostoru, například umístěním obráběného dílu na podpěry, které tlumí hluk.

Informace ohledně vibrací (ISO 8662-11:1999)	Vibrace	2,24 m/s <sup>2</sup>
	proměnlivost	0,332 m/s <sup>2</sup>

Tato hodnota je charakteristická hodnota související s daným nástrojem a nepředstavuje vliv na ruce a ramena

během používání nástroje. Vliv na ruce a ramena při používání nástroje závisí například na upínací síle, síle kontaktního tlaku, směru provádění práce, úpravě napájení, obráběném dílu a jeho podpěře.

### SYMBOLY

Následující obrázky ukazují symboly použité pro toto zařízení. Před použitím se ujistěte, že rozumíte jejich významu.



Přečtěte si štítky na nářadí a příručku a porozumějte jim. Nedodržení varování může mít za následek vážné zranění.



Obsluha a ostatní osoby v pracovní oblasti musí používat ochranu zraku odolnou proti nárazu s bočními štíty.



Obsluha a ostatní osoby v pracovní oblasti musí používat ochranu sluchu.



Nářadí má schopnost pracovat v režimu kontaktního ovládání



Nepoužívejte toto nářadí, pokud jste na schodišti, schodech nebo lešeních, žebřících nebo žebříku podobných konstrukcích, např. na střešních latích, při zavírání beden nebo dopravních klecí, při montáži bezpečnostních systémů pro přepravu, např. na vozidlech a vagónech.



Jako zdroj energie pro toto nářadí nikdy nepoužívejte kyslík, oxid uhličitý ani žádný jiný plyn v lahvích.

### VŠEOBECNÁ BEZPEČNOSTNÍ VAROVÁNÍ

#### 1. V zájmu osobní bezpečnosti, správné obsluhy

## a údržby si před používáním nářadí přečtete tento návod k obsluze.



- Všechna varování a návod k obsluze si uschovejte pro budoucí potřebu.
- Nářadí je určeno pouze pro profesionální použití. Nepoužívejte jej k žádným jiným účelům. Není určen k nastřelování spojovacích prvků přímo na tvrdý povrch, např. na ocel a beton.
- Uživatel by měl posoudit konkrétní rizika, která existují v důsledku každého použití.
- Jakékoliv jiné použití kromě určeného použití tohoto nářadí je zakázáno. Nastřelovací nářadí s nepřetržitým kontaktním ovládáním nebo kontaktním ovládáním se používá pouze pro výrobní aplikace.
- Když toto nářadí nepoužíváte a při přechodu z jedné pracovní polohy do druhé mějte prsty mimo spoušť.
- Různá nebezpečí. Před připojením, odpojením, vkládáním, obsluhou, údržbou, výměnou příslušenství nebo před prací v blízkosti nářadí si přečtete bezpečnostní pokyny a porozumějte jim. Pokud tak neučiníte, může dojít k vážnému zranění.
- Udržujte všechny části těla, jako jsou ruce a nohy atd. mimo dosah nastřelování a zajistěte, aby spojovací prvek nemohl proniknout dílcem do části těla.
- Při používání nářadí mějte na paměti, že se spojovací prvek může ohnout a způsobit zranění.
- Nářadí uchopte a pevně držte a buďte připraveni zvládnout zpětný ráz.
- Nastřelovací nářadí by měli používat pouze technicky zdatní pracovníci.
- Neupravujte nastřelovací nářadí. Úpravy mohou snížit účinnost bezpečnostních opatření a zvýšit rizika pro obsluhu a/nebo náhodného diváka.
- Nevyhazujte návod k obsluze.
- Nepoužívejte nářadí, pokud bylo poškozeno.
- Při manipulaci se spojovacími prvky, zejména při nabíjení a vybití, buďte opatrní, protože spojovací prvky mají ostré hroty, které by mohly způsobit zranění.
- Před použitím nářadí vždy zkontrolujte, zda není poškozené, špatně připojené nebo otopřebenované.
- Nenatahujte se příliš daleko. Používejte pouze na bezpečném místě. Vždy udržujte správnou polohu a rovnováhu.
- Nedovolte náhodným divákům se přiblížit (při práci v oblasti, kde je pravděpodobnost průchodu osob). Zřetelně vyznačte svou pracovní oblast.
- Nikdy neměřte nářadím na sebe ani na ostatní.
- Při zvedání nářadí, přesunu mezi pracovními oblastmi a polohami nebo při chůzi nenechávejte prst na spoušti, protože prst na spoušti může způsobit neúmyslné spuštění. U nářadí se selektivním ovládním před použitím vždy zkontrolujte, zda je vybrán správný režim.
- Používejte pouze rukavice, ve kterých máte dostatečný cit a můžete bezpečně ovládat spoušť a libovolná nastavovací zařízení.
- Když nářadí odkládáte, uložte jej na rovnou plochu. Pokud používáte nářadí vybavené háčkem, zavěste jej bezpečně na stabilní plochu.
- Neobsluhujte nářadí, pokud jste pod vlivem alkoholu, drog a podobně.
- Nepoužívejte toto nářadí, pokud jste na schodišti, schodech nebo lešeních, žebřících nebo žebříku podobných konstrukcích, např.



na střešních latích, při zavírání beden nebo dopravních klecí, při montáži bezpečnostních systémů pro přepravu, např. na vozidlech a vagónech.

## Nebezpečí související s projektily

- Při vkládání spojovacích prvků, seřizování, odstraňování zaseknutí nebo při výměně příslušenství musí být nastřelovací nářadí odpojeno.
- Během provozu dávejte pozor, aby spojovací prvky správně pronikly materiálem a nemohly být vychýleny/chybně vystřeleny na obsluhu a/nebo náhodné diváky.
- Během provozu mohou být zbytky z obrobku a spojovacího/zakládacího systému vypuzeny.
- Při práci s elektrickým nářadím vždy používejte ochranné brýle, abyste chránili oči před poraněním. Ochranné brýle musí vyhovovat normám ANSI Z87.1 v USA, EN 166 v Evropě nebo AS/NZS 1336 v Austrálii/na Novém Zélandu. V Austrálii/na Novém Zélandu je ze zákona vyžadováno, aby byl chráněn obličej obličejovým štítem. Za vynucení používání bezpečnostních ochranných pomůcek obsluhou nářadí či jinými osobami v bezprostřední blízkosti pracoviště odpovídá zaměstnavatel.
- Rizika pro ostatní musí vyhodnotit obsluha.
- U nářadí bez kontaktu s dílcem buďte opatrní, protože může neúmyslně vystřelit a zranit obsluhu nebo náhodného diváka.
- Ujistěte se, že je nářadí vždy bezpečně nasazeno na dílec a nemůže sklouznout.
- Používejte ochranu sluchu, která chrání vaše uši před hlukem z výfuku, a ochranu hlavy. Také noste lehké, nikoli volné oblečení. Rukávy by měly být zapnuté nebo vyhrnuté. Neměli byste nosit žádnou vázanku.



## Provozní nebezpečí

- Držte nástroj správně: buďte připraveni reagovat na běžné nebo náhlé pohyby, například na zpětný ráz.
- Udržujte vyváženou polohu těla a bezpečné postavení.
- Je nutno používat vhodné ochranné brýle a doporučují se vhodné rukavice a ochranný oděv.
- Je nutno používat vhodnou ochranu sluchu.
- Používejte správný přívod energie podle pokynů v návodu k použití.
- Nepoužívejte nářadí na pohyblivých plošinách nebo na zadní části nákladních vozidel. Při náhlém pohybu plošiny můžete ztratit kontrolu nad nástrojem a způsobit si zranění..
- Vždy předpokládejte, že nářadí obsahuje spojovací prvky.
- Při práci nespěchejte a nepoužívejte násilí. S nářadím zacházejte opatrně.
- Dbejte na správný postoj a udržujte dobrou rovnováhu s nářadím. Zajistěte, aby se při práci na vyvýšených místech nikdo nenacházel pod vámi a zajistěte vduchovou hadici, jestliže dochází k prudkému cukání či zachytávání.
- Na střešních a dalších vysokých místech nastřelujte spojovací prvky při pohybu vpřed. Při nastřelování spojovacích prvků s couváním zpět můžete snadno ztratit půdu pod nohama. Při nastřelování spojovacích prvků do svislých ploch pracujte shora dolů. Budete tak provádět nastřelování s menší námahou.
- Spojovací prvek se ohne nebo nářadí se může

- zaseknout, pokud omylem nastřelíte spojovací prvek do horní části jiného spojovacího prvku nebo zasáhnete suk ve dřevu. Spojovací prvek může být vymrštěn a může někoho zasáhnout, nebo samotné nářadí může reagovat nebezpečně. Spojovací prvky rozmisťujte opatrně.
12. Nenechávejte nabitě nářadí nebo vzduchový kompresor pod tlakem dlouho na slunci. Dbejte na to, aby prach, písek, třísky a cizí látky nevnikly do nářadí v místě, kde jej necháte ležet.
  13. Nikdy se nepokoušejte nastřelovat spojovací prvky současně zevnitř i zvenčí. Spojovací prvky mohou prorazit skrz a/nebo odletět, což představuje vážné nebezpečí.

### Nebezpečí opakovaných pohybů

1. Při dlouhodobém používání nástroje může obsluha pociťovat nepohodlí v rukou, pažích, ramenou, krku nebo jiných částech těla.
2. Při používání nářadí by se měla obsluha zaujmout vhodný ergonomický postoj. Udržujte bezpečný postoj a vyhněte se nepříjemným nebo nevyváženým postojům.
3. Pokud se u obsluhy vyskytnou příznaky, např. přetrvávající nebo opakující se nepohodlí, bolest, pulzování, bolení, brnění, znečitlivění, pocit pálení nebo ztuhlost, neignorujte tyto varovné signály. Obsluha by se měla poradit s kvalifikovaným zdravotnickým odborníkem co se týče celkových aktivit.
4. Neustálé používání nářadí může způsobit zranění z opakovaného přetížení v důsledku zpětného rázu, který toto nářadí generuje.
5. Aby se předešlo zranění z opakovaného přetížení, obsluhující pracovník by se neměl natahovat ani používat nadměrnou sílu. Kromě toho by si měla obsluha odpočinout, jakmile pociťá únavu.
6. Proveďte posouzení rizik, pokud jde o nebezpečí z opakovaného pohybu. Mělo by se zaměřit na poruchy svalové a kosterní soustavy a přednostně by mělo vycházet z předpokladu, že snižování únavy během práce je účinné pro snižování onemocnění.

### Nebezpečí související s příslušenstvím a spotřebním materiálem

1. Před výměnou/změnou příslušenství, např. kontaktu s dílcem nebo před jakýmkoli nastavením, odpojte přívod energie do nářadí, tj. vzduch, plyn nebo baterii.
2. Používejte pouze velikosti a typy příslušenství dodávané výrobcem.
3. Používejte pouze maziva doporučená v této příručce.

### Nebezpečí na pracovišti

1. Uklouznutí, zakopnutí a pády jsou hlavní příčiny úrazu na pracovišti. Dávejte pozor na kluzké povrchy způsobené používáním nářadí a také na nebezpečí zakopnutí o hadici vzduchového vedení.
2. V neznámém prostředí si počínejte se zvýšenou opatrností. Mohou existovat skrytá nebezpečí, například elektrická vedení nebo jiné inženýrské sítě.
3. Toto nářadí není určeno k použití v prostředí s nebezpečím výbuchu a není izolováno od kontaktu s elektrickou energií.
4. Ujistěte se, že neexistují žádné elektrické kabely, plynová potrubí atd., která by mohla způsobit nebezpečí, pokud by byly poškozeny použitím tohoto nářadí.

5. Udržujte pracovní oblast čistou a dobře osvětlenou. Přecpané nebo tmavé oblasti vyvolávají nehody.
6. Mohou existovat místní předpisy týkající se hluku, které musí být dodrženy zachováním hladin hluku v předepsaných mezích. V některých případech je třeba použít clony k potlačení hluku.

### Nebezpečí prachu a výfukových plynů

1. Vždy zkontrolujte své okolí. Vzduch vyfukovaný z nářadí může vypouštět prach nebo předměty a zasáhnout obsluhu a/nebo náhodné diváky.
2. Nasměrujte výfuk tak, aby se minimalizovala prašnost v prašném prostředí.
3. Pokud dochází v pracovní oblasti k vylučování prachu nebo předmětů, snižte emise co nejvíce, abyste snížili zdravotní rizika a zranění.

### Nebezpečí hluku

1. Nechráněné vystavení vysokým hladinám hluku může způsobit trvalé poškození a ztrátu sluchu a další problémy, například tinitus (zvonění, bzučení, pískání nebo hučení v uších).
2. Proveďte posouzení rizik týkajících se nebezpečí hluku v pracovní oblasti a implementujte pro ně příslušná opatření.
3. Vhodná kontrolní opatření pro snížení rizika mohou zahrnovat například tlumicí materiály, které zabraňují „zvonění“ obrobků.
4. Používejte vhodnou ochranu sluchu.
5. Provozujte a udržujte nástroj podle doporučení v tomto návodu, abyste zabránili zbytečnému zvyšování hladiny hluku.
6. Přijměte opatření ke snížení hluku, například položte dílce na podložky tlumící zvuk.

### Nebezpečí vibrací

1. Emise vibrací během provozu závisí na síle uchopení, kontaktní síle přitlaku, směru práce, seřízení přívodu energie, dílce, opěry dílce. Proveďte posouzení rizika týkající se nebezpečí vibrací a pro tato nebezpečí proveďte příslušné kontroly.
2. Vystavení vibracím může způsobit poškození nervů a krevní zásobení rukou a paží.
3. Při práci v chladných podmínkách používejte teplé oblečení, udržujte ruce v teple a suchu.
4. Pokud pociťujete znečitlivění, brnění, bolest nebo bolení kůže na prstech nebo rukou, vyhledejte lékařskou pomoc kvalifikovaného zdravotnického pracovníka, pokud jde o celkové činnosti.
5. Provozujte a udržujte nářadí podle doporučení v tomto návodu, abyste předešli zbytečnému zvýšení úrovně vibrací.
6. Držte nářadí lehkým, ale bezpečným uchopením, protože riziko vibrací je obecně větší, když je síla uchopení vyšší.

### Další upozornění pro pneumatické nářadí

1. Stlačený vzduch může způsobit vážné zranění.
2. Pokud se nářadí nepoužívá, vždy vypněte přívod vzduchu a odpojte jej od přívodu vzduchu.
3. Před výměnou příslušenství, prováděním seřizování a/ nebo oprav, když se vzdalujete z pracovní oblasti do jiné oblasti, vždy odpojte nářadí od zdroje stlačeného vzduchu.
4. Pokud nářadí neobsluhujete a při přesunu z jedné provozní polohy do druhé máte prsty mimo spoušť.

- Nikdy nemířte stlačený vzduch na sebe ani na jiné osoby.
- Šlehání hadic může způsobit vážné zranění. Vždy zkontrolujte, zda nejsou poškozené nebo uvolněné hadice nebo armatury.
- Nikdy nepřenašejte pneumatické nářadí za hadici.
- Pneumatické nářadí nikdy netahejte za hadici.
- Při použití pneumatického nářadí nepřekračujte maximální provozní tlak ps max.
- Pneumatické nářadí by mělo být poháněno stlačeným vzduchem při minimálním tlaku, který je nezbytný pro pracovní proces, aby se snížil hluk a vibrace a minimalizovalo opotřebení.
- Použití kyslíku nebo hořlavých plynů pro provoz pneumatických nástrojů vytváří nebezpečí požáru a výbuchu.
- Při používání pneumatického nářadí buďte opatrní, protože nářadí by mohlo zchladnout, což by nepříznivě ovlivnilo uchopení a kontrolu.



### Další varování týkající se nářadí s možností ovládní kontaktů

- Při zvedání nářadí, přesunu mezi pracovními oblastmi a polohami nebo při chůzi nenechávejte prst na spoušti, protože prst na spoušti může způsobit neúmyslné spuštění.
- Má-li tento nástroj buď selektivní ovládní pro dotykové ovládní nebo kontinuální dotykové ovládní pomocí přepínačů režimu aktivace, nebo jde o dotykový ovladač nebo nástroj pro ovládní nástrojů a označený vedle symbolem, jsou určena použití pro výrobní aplikace, jako jsou palety, nábytek, bednění, čalounění a potahování textilií.
- Nepoužívejte tento nástroj s dotykovým ovládním pro aplikace, jako jsou uzavíratelné krabice nebo přepravky a montáž dopravních bezpečnostních systémů na přívěsech, návěsech anákladních automobilech.
- Varování, že nástroj se smí používat pouze na bezpečných pracovních místech!
- Při přechodu z jednoho místa na druhé postupujte opatrně!



### PLNĚNÍ

- Odpojte nástroj od přívodu vzduchu. **(Figure 3)**
- Zmáčknutím pojistky uvolněte zásobník. **(Figure 4)**
- Plnění hřebíků: Podržte nastřelovací pistolí směrem dolů a vložte pás hřebíků do kazety tak, aby špičky směřovaly dolů. **(Figure 5)** Zatlačte na madlo, dokud nezacvakne v pozici. **(Figure 6)**
- Použijte pouze doporučené upínací prvky (viz technické údaje).
- Nářadí a spojovací prvky uvedené v návodu k obsluze se považují za jeden bezpečnostní systém.

### POUŽITÍ NÁSTROJE

- Nástrojem nemířte na sebe ani na ostatní a připojte jej k přívodu vzduchu. **(Figure 1)**
- Nástroje je nutné používat při nejnižším tlaku potřebném pro dané použití. Snížíte tak hladinu hluku, opotřebení dílů a spotřebu energie. Přitlačte špička nástroje na obráběný díl, který chcete připevnit, a stisknutím spouště vystřelíte skoby.
- Upravte minimální tlak, který je potřebný k proniknutí

### upínacích prvků. **(Figure 7)**

Poté proveďte několik zkoušek. Začněte s nejnižším tlakem.

- Zkontrolujte, zda byl spojovací prvek nastřelen do dílce v souladu s požadavky.
  - pokud spojovací prvek vyčnívá, zvyšujte tlak vzduchu v krocích po 0,5 baru a po každém novém nastavení zkontrolujte výsledek;
  - pokud je spojovací prvek nastřelen do příliš velké hloubky, snižte tlak vzduchu v krocích po 0,5 bar, dokud nebude výsledek uspokojivý.
- V každém případě byste se měli snažit pracovat s co nejnižším možným tlakem vzduchu.
- Při práci držte nářadí tak, aby nemohlo dojít ke zranění hlavy nebo těla v případě možného zpětného rázu následkem přerušení dodávky energie nebo od tvrdých oblastí uvnitř obrobku.
- Nářadí musí být pro účely přepravy odpojeno od systému stlačeného vzduchu, zejména pokud se používají žebříky, nebo kde je při pohybu zaujat neobvyklý fyzický postoj.
- Nastřelovací nářadí přenášejte na pracovišti pouze za rukojet a nikdy s aktivovanou spouští.
- Veźměte v úvahu podmínky na pracovišti. Spojovací prvky mohou proniknout do tenkých dílců nebo sklouzávat z rohů a hran dílců, a tím ohrožovat osoby.
- Pro osobní bezpečnost používejte ochranné pomůcky, např. ochranu sluchu a oči.
- Spoušť a kontaktní rameno musí být aktivovány při každé nastřelovací operaci, přičemž pořadí aktivace není uvedeno. Pro opakované nastřelovací operace stačí, pokud bud' zůstane aktivována spoušť a poté je aktivováno kontaktní rameno, nebo naopak.
- Pokud je zásobník prázdný, nespouštějte nářadí.
- Jakékoli vadné nebo nesprávně fungující nářadí musí být okamžitě odpojeno od přívodu stlačeného vzduchu a předáno k odborníkovi na kontrolu.
- V případě delších přestávek v práci nebo na konci pracovní směny odpojte nářadí od přívodu stlačeného vzduchu a doporučujeme vyprázdnit zásobník.
- Konektory stlačeného vzduchu nářadí a hadice by měly být chráněny proti znečištění. Vniknutí hrubého prachu, třesek, písku atd. bude mít za následek úniky a poškození nářadí a spojek.

### SYSTÉM STLAČENÉHO VZDUCHU

- Pro správnou funkci nastřelovacího nářadí je požadován filtrovaný, suchý < a mazaný > stlačený vzduch v dostatečném množství. **(Figure 11)**
- Pokud tlak vzduchu v potrubním systému překročí maximální přípustný tlak nastřelovacího nářadí, musí být v přívodním potrubí k nářadí dodatečně namontován tlakový redukční ventil, za nímž následuje bezpečnostní pojistný ventil.
- Nastřelovací nářadí připojte k přívodu stlačeného vzduchu pomocí vhodné tlakové hadice opatřené rychlospojkami. **(Figure 1)**
- Kompresní stanice musí být dostatečně dimenzována z hlediska výstupního tlaku a výkonu (objemový průtok) na očekávanou spotřebu. Úseky potrubí, které jsou vzhledem k délce potrubí (potrubí a hadice) příliš malé a také přetěžovány kompresorů, způsobí pokles tlaku.
- Trvale položené potrubí stlačeného vzduchu by mělo mít vnitřní průměr nejméně 19 mm a odpovídající velký

- průměr, pokud se jedná o poměrně dlouhé potrubí nebo více uživatelů.
- Potrubí pro stlačený vzduch by měla být kladena tak, aby vytvořila sklon (nejvyšší bod ve směru ke kompresoru). V nejnižších bodech by měly být instalovány snadno přístupné odlučovače vody.
  - Spojky pro uživatele by měly být připojeny k potrubím shora.
  - Připojovací body pro nastřelovací nářadí by měly být vybaveny jednotkou pro úpravu stlačeného vzduchu (filtr/odlučovač vody/maznice) přímo v přípojném bodě.
  - Maznice musí být denně kontrolovány a v případě potřeby doplněny doporučeným typem oleje (viz TECHNICKÉ ÚDAJE). Při použití hadic o délce přes 10 m nelze zaručit přívod oleje pro nastřelovací nářadí. Doporučujeme proto přidat 2 až 5 kapek (v závislosti na zatížení nastřelovacího nářadí) doporučeného oleje (viz TECHNICKÉ ÚDAJE) do přívodu vzduchu do nářadí nebo do maznice připojené přímo k nastřelovacímu nářadí.

### ODSTRAŇOVÁNÍ PROBLÉMU A ÚDRŽBA

- Dojde-li k zaseknutí skoby, odpojte nástroj od přívodu vzduchu. (Figure 3)
- Uvolněte zásobník a zasuňte madlo zpět. (Figure 8) Vyjměte zaseknuté upínací prvky.
- Nebo povolte dva šrouby na předním krytu a vytáhněte jej. (Figure 9) Odstraňte zaseknutý náboj. (Figure 10) Vraťte na místo přední kryt a dotáhněte šrouby.

### ÚDRŽBA:

- Každý den kontrolujte volný pohyb pojistného třmenu a

spouště.

- Všechny šrouby by měly být utaženy. (Figure 2) Jsou-li šrouby povoleny, používání nástroje bude nebezpečné a může dojít k poškození dílů. Do přívodu vzduchu nakapejte dvě nebo tři kapky oleje.
- Použijte pouze olej doporučený v manuálu / v části s technickými údaji. Nástroj uchovávejte čistý. Pravidelně jej otřete suchou látkou a zkontrolujte, zda není opotřebený. Občas promažte posuvné části zásobníku, abyste zabránili opotřebení.
- Nepoužívejte hořlavé čisticí roztoky. Nástroj nenamáčejte a nepoužívejte rozpouštědla. Tyto roztoky mohou poškodit o-kroužky a ostatní citlivé části nástroje. Používejte čistý a suchý vzduch. Nad přípojku nástroje používejte základní jednotku stlačeného vzduchu. Jiné než zde uvedené opravy by měl provádět pouze vyškolený a kvalifikovaný personál nebo pracovníci poprodejiho servisu výrobce.

### SEZNAM NÁHRADNÍCH DÍLŮ

Při likvidaci nástroje dodržujte místní předpisy a nařízení

### PMP171 Seznam náhradních dílů (Figure 12)

Seznam	Obj.č.	Popis
A	5001346	Sada výtlačného ventilu, válce a pístu
B	5001347	Sada pojistky a spouště
C	5001348	Sada zásobníku

## PNEUMATICKÁ ZOŠÍVAČKA PMP171

### Návod na použití - preklad originálu

SK

#### TECHNICKÁ ŠPECIFIKÁCIA

Velkosť nástroja	Výška	190 mm
	Dĺžka	230 mm
	Šírka	48 mm
	Hmotnosť bez klinca	0,95 kg
	Hmotnosť s najťažšími klincami	0,96 kg
Přívod vzduchu		1/4"
Maximálny povolený prevádzkový tlak		8 bar
Prevádzkový tlak	Mini	5 bar
	Maxi	7 bar
ovládaci systém		Dotykové ovládanie
Odporúčany spojovací materiál		Rapid 23P: 15 -> 35 mm
Rozmery klinca		Ø0,64mm - 23Ga
Kapacita zásobníka		150
Odporúčany pneumatický olej		Hydraulický olej ISO 46 alebo jeho ekvivalent

Hlučnosť (EN 12549:1999)	LpA, 1s, d	70,9 dB
	neurčitost'	2,5 dB
	LwA, 1s, d	83,9 dB
	neurčitost'	2,5 dB
	LpC, max	109 dB
	neurčitost'	2,5 dB

Tieto hodnoty sú špecifické pre daný nástroj a zodpovedajú hladine hluku v mieste použitia. Hladina hluku v mieste použitia napríklad závisí na pracovnom prostredí, obrobku, podložení obrobku a na počte úkonov. Návrh pracovného miesta môže tiež znížiť hladinu hluku, napríklad umiestnením obrobku na podložky tlmiace zvuk.

Vibrácie (ISO 8662-11:1999)	Vibrácie	2,24 m/s <sup>2</sup>
	neurčitost'	0,332 m/s <sup>2</sup>

Táto hodnota je špecifická pre daný nástroj a nezodpovedá vplyvu na sústavu ruka-rameno pri použití nástroja. Prípadný vplyv na sústavu ruka-rameno pri používaní nástroja bude napríklad závisieť na sile úchopu, kontaktnej sile, smere pracovného úkonu, nastavení

privedu energie, druhu obrobku, podložení obrobku.

## SYMBOLY

Nasledujúca kapitola zobrazuje symboly využívané pri zariadení. Pred použitím sa s nimi určite oboznámte.



Prečítajte si a porozumejte značkám na nástroji a návodu. V prípade nedodržania varovani môže dôjsť k vážnemu zraneniu.



Operátori a ďalšie osoby v pracovnej oblasti musia nosiť ochranu zraku odolnú proti nárazom s bočnými štítmí.



Operátori a ďalšie osoby v pracovnej oblasti musia nosiť ochranu sluchu.



Nástroj disponuje možnosťou prevádzky v režime spúšťania kontaktom.




Nepoužívajte náradie, keď ste na váhe, schodoch, lešeníach, rebrikoch alebo podobných konštrukciách, napr. strešné late, pri zatváraní debien alebo prepraviek, pri montáži bezpečnostných systémov, napr. na vozidlách či vagónoch.



Ako zdroj výkonu tohto nástroja nikdy nepoužívajte kyslík, oxid uhličitý ani akýkoľvek iný plyn vo fľašiach.


## VŠEOBECNÉ BEZPEČNOSTNÉ VAROVANIA

- Kvôli osobnej bezpečnosti a správnej prevádzke a údržbe náradia si pred jeho použitím prečítajte tento návod na obsluhu.** 
- Všetky varovania a pokyny si uschovajte na nahladnutie v budúcnosti.
- Nástroj je určený na použitie výhradne v rámci profesionálneho použitia. Nepoužívajte ho na žiadne iné účely. Nástroj nie je určený na nastreľovanie priamo do tvrdých povrchov, akými sú oceľ či betón.
- Používateľ musí posúdiť špecifické riziká, ktoré vyplývajú z každého použitia.
- Je zakázané akékoľvek iné používanie nástroja, než je jeho určené použitie. Nastreľovačky s nepretržitým spúšťaním po kontakte alebo po spúšťaní po kontakte sa smú používať iba v rámci výrobného využitia.
- Keď nástroj nepoužívate a pri zmene prevádzkovej polohy nemajte prsty na spúšti.
- Existujú viaceré riziká. Pred pripájaním, odpájaním, plnením, používaním, údržbou, výmenou príslušenstva alebo prácach v blízkosti nástroja si prečítajte a porozumejte bezpečnostným pokynom. Ak tak neurobite, môžete si spôsobiť závažné telesné zranenia.

- Do dráhy nastreľovania nekladte žiadne časti tela, akými sú ruky či nohy. Presvedčte sa tiež, že kliniec/sponka nemôže preniknúť obrobkom až do časti tela.
- Pri používaní nástroja myslite na to, že sa kliniec/sponka môže odraziť a spôsobiť tak zranenia.
- Nástroj držte pevným úchopom, pričom sa pripravte na spätný ráz.
- Nastreľovačky smú používať iba technicky zruční operátori.
- Nastreľovačku neupravujte. Úpravy môžu znížiť účinnosť bezpečnostných zariadení a súčasne zvýšiť riziká pre operátora alebo osoby nachádzajúce sa v blízkosti.
- Návod na obsluhu nevyhadzujte.
- Nástroj v prípade poškodenia nepoužívajte.
- Pri manipulácii s klincami/sponkami, a to najmä pri ich plnení či vyprázdňovaní, postupujte opatrne, pretože sa na nich nachádzajú ostré body, ktoré by vás mohli zraniť.
- Na nástroji vždy skontrolujte, či nemá poškodené, odpojené alebo opotrebované súčasti.
- S nástrojom pracujte len v miestach, kam nim bezpečne dočiahnete. Používajte iba v bezpečných pracovných oblastiach. Neustále udržiavajte správny došlap a rovnováhu.
- Dbajte na to, aby sa v blízkosti nenachádzali žiadne osoby (pri práci v oblastiach, kde existuje možnosť pohybu osôb). Pracovnú oblasť evidentne označte.
- Nástroj nikdy nesmerujte na seba ani na iných ľudí.
- Pri zdvíhaní náradia, zmene prevádzkových oblastí alebo polôh či pri chôdzi nekladte prst na spúšť. Ak na to nebudete dbať, môžete tým zapríčiniť náhodné spustenie nástroja. Pri nástrojoch so selektívnym spúšťaním sa pred použitím nástroja presvedčte, či je vybratý správny režim.
- Noste iba rukavice, v ktorých budete mať dostatočný cit a bezpečnú kontrolu nad spúšťaním a akýmkoľvek nastavovacími zariadeniami.

- Keď nástroj nepoužívate, položte ho na rovny povrch. Ak používate hák, ktorý je súčasťou nástroja, nástroj bezpečným spôsobom zahákuje o stabilný povrch.
- Nástroj nepoužívajte pod vplyvom alkoholu, liekov ani podobných látok.
- Nepoužívajte náradie, keď ste na váhe, schodoch, lešeníach, rebrikoch alebo podobných konštrukciách, napr. strešné late, pri zatváraní debien alebo prepraviek, pri montáži bezpečnostných systémov, napr. na vozidlách či vagónoch.

## Nebezpečenstvo vymrštenia predmetu

- Nastreľovačka je pri vyprázdňovaní skrutiek, vykonávaní úprav, odblokovaní alebo výmene príslušenstva potrebné odpojiť.
- Počas prevádzky pozorne sledujte či kliniec/sponka prechádzajú materiálom správnym spôsobom a či nemôže dôjsť k ich odrazeniu/nesprávnemu nasmerovaniu na operátora, prípadne na ľudí v blízkosti.
- Počas prevádzky môže dôjsť k vymršteniu častíc z obrobku a nastreľovacieho systému.
- Vždy noste ochranné okuliare, čím sa pri používaní elektrického náradia ochránite pred zraneniami. Okuliare musia vyhovovať 



normám ANSI Z87.1 v USA, EN 166 v Európe alebo AS/NZS 1336 v Austrálii a na Novom Zélande. V Austrálii a na Novom Zélande je zo zákona povinné nosiť aj ochranný kryt tváre. Zamestnávateľ je zodpovedný za vynútenie používania vhodných bezpečnostných ochranných prostriedkov zo strany operátorov a iných osôb v bezprostrednom pracovnom priestore.

5. Operátor musí posúdiť riziká vyplývajúce pre ostatné osoby.
6. Dávajte pozor na nástroje, ktoré nie sú v styku s obrobkom, pretože by sa mohli náhodne aktivovať a zraniť tak operátora alebo osoby v okolí.
7. Presvedčte sa, že je nástroj vždy bezpečne upevnený k obrobku a nemôže sa zošmyknúť.
8. Noste ochranu sluchu a chráňte tak svoj sluch pred hlukom a zabezpečte si ochranu hlavy. Noste tiež ľahké, no nie voľné oblečenie. Rukávy si musíte upnúť alebo vyhrnúť. Nenoste kravaty.



### Prevádzkové riziká

1. Nástroj držte správnym spôsobom: pripravte sa na reakcie na bežné alebo náhle pohyby, akým je napríklad spätný ráz.
2. Dávajte pozor na svoj postoj a bezpečný došlap.
3. Je potrebné používať vhodné bezpečnostné okuliare. Odporúča sa nosiť ochranné rukavice a ochranný odev.
4. Je potrebné nosiť vhodnú ochranu sluchu.
5. Používajte napájanie, ktoré je uvedené v návode na používanie.
6. Nástroj nepoužívajte na pohybujúcich sa plošinách či korbách nákladných vozidiel. Pri náhlých pohyboch plošiny môže dôjsť k strate kontroly nad nástrojom a k zraneniam.
7. Vždy sa presvedčte, že nástroj obsahuje klince/sponky.
8. Prácu neuponáhľajte, ani na nástroj netlačte. Pri manipulácii s nástrojom postupujte opatrne.
9. Pri práci s nástrojom dávajte pozor, kam sťúpate a udržiavajte rovnováhu. Pri práci vo výškach sa presvedčte, že pod vami nikto nestojí. Zároveň zabezpečte vzduchovú hadicu, aby sa predišlo nebezpečenstvu pri náhlom šklbnutí či zachytení.
10. Pri práci na strechách alebo vo výškach nastrelovačku používajte pri pohybe vpred. Pri pohybe vzad môžete jednoducho stratiť rovnováhu. Pri pohybe nastrelovačky proti kolmému povrchu pracujte smerom zhora nadol. Týmto smerom sa pri práci menej unavíte.
11. V prípade pochybenia a aplikácie klinca/sponky na iný kliniec/sponku, prípadne pri zásahu hrbolu dreva môže dôjsť k ohnutiú klinca/sponky alebo zaseknutiu nástroja. Môže dôjsť k vymršteniu klinca/sponky a k zásahu osôb, prípadne sa nebezpečným môže stať samotný nástroj. Klince/sponky umiestňujte opatrne.
12. Nenechávajte naplnený nástroj ani vzduchový kompresor pod tlakom príliš dlho na slnku. Dbajte na to, aby na miestach, kam nástroj položíte, do neho nevníkol prach, piesok, piliny ani cudzie telesá.
13. Nikdy sa nepokúšajte klince/sponky aplikovať súčasne zvnútra aj zvonka. Môže dôjsť k prerazeniu či vymršteniu klincov/sponiek, čo predstavuje mimoriadne vážne riziko.

### Riziká spojené s opakovanými pohybmi

1. Pri dlhšom používaní nástroja môže operátor cítiť nepríjemné pocity v ramenách, rukách, chrbte, krku alebo iných častiach tela.
2. Pri používaní nástroja musí operátor zaujať vhodný no súčasne aj ergonomický postoj. Udržujte bezpečný nášlap a vyhýbajte sa nepríjemným alebo nevyváženým postojom.
3. Ak operátor zažíva príznaky, akými sú pretrvávajúce alebo opakujúce sa nepohodlie, bolesť, búšenie, bolesti, brnenie, strpnutosť, pocit pálenia alebo stuhnutosť, neignorujte tieto varovné znaky. V súvislosti s aktivitami všeobecne sa musí operátor poradiť s kvalifikovaným zdravotníkom.
4. Nepretržité používanie nástroja môže spôsobiť opakované namáhanie v dôsledku spätného rázu spôsobeného nástrojom.
5. Aby sa predišlo zraneniam spôsobeným opakovaným namáhaním, operátor sa s nástrojom nesmie natahovať ani naň nesmie pôsobiť nadmernou silou. Okrem toho si musí operátor v prípade únavy robiť prestávky.
6. Vykonať hodnotenie rizík v súvislosti s rizikami spojenými s opakovaným pohybom. Malo by sa zamerať na poruchy svalovej hmoty a kostry a malo by byť prednostne založené na predpoklade, že pri riešení porúch je účinné zníženie miery únavy pri práci.

### Riziká spojené s prislúšenstvom a spotrebným materiálom

1. Pred výmenou prislúšenstva, ako je napríklad kontakt s obrobkom alebo akýmkoľvek úpravami odpojte napájanie nástroja. Ide napríklad o vzduch, plyn, prípadne batériu.
2. Používajte iba veľkosť a typ prislúšenstva, ktoré poskytuje výrobca.
3. Používajte iba mazadlá odporúčané v tomto návode.

### Riziká spojené s obrobkom

1. Pošmyknutia, zakopnutia a pády sú hlavnými príčinami úrazov na pracovisku. Dávajte pozor na kĺzké povrchy spôsobené použitím nástroja a tiež na nebezpečenstvo zakopnutia spôsobené hadicou na prívod vzduchu.
2. V neznámych prostrediach postupujte ešte obozretniejšie. Môžu sa tam objavovať skryté riziká, akými sú napríklad elektrina či vedenia iných inžinierskych sietí.
3. Tento nástroj nie je určený na používanie v potenciálne výbušnom prostredí. Zároveň nie je izolovaný pred kontaktom s elektrinou.
4. Presvedčte sa, že sa v okolí nevyskytujú žiadne elektrické vedenia, plynové potrubia atď., ktoré by mohli v prípade poškodenia nástrojom predstavovať nebezpečenstvo.
5. Pracovnú oblasť udržiavajte v čistote a dobre osvetlenú. Neupratané alebo tmavé oblasti sú častým miestom nehôd.
6. Môžu existovať miestne predpisy týkajúce sa hluku, ktoré sa musia dodržiavať udržiavaním hladiny hluku v rámci predpísaných limitov. V určitých prípadoch sa na zachytenie hluku musia použiť klapky.

### Riziká spojené s prachom a výfukom

1. Svoje okolie neustále kontrolujte. Vzduch vypustený z nástroja môže rozfúkať prach alebo predmety, ktoré môžu vraziť do operátora alebo okolitých osôb.
2. Výfuk v prašnom prostredí nasmerujte tak, aby sa minimalizovalo jeho pôsobenie na prach.

3. Ak sa v pracovnom priestore uvoľňuje prach alebo predmety, znížte ich produkciu čo najviac, čím znížite zdravotné riziká a riziko zranenia.

### Riziká spojené s hlukom

1. Nechránené vystavenie vysokej hladine hluku môže spôsobiť trvalé postihnutie, stratu sluchu a ďalšie problémy, ako napríklad hučanie v ušiach (zvonenie, bzúčanie, pískanie alebo šum v ušiach).
2. Vykonajte hodnotenie rizík týkajúce sa rizik spojených s hlukom v pracovnej oblasti, na základe ktorého následne prijmite príslušné postupy na ich reguláciu.
3. Medzi vhodné prvky regulácie na znižovanie rizika môžu patriť činnosti, ako sú použitie tlmiacich materiálov, aby obrobky „nepuzovali“.
4. Noste vhodnú ochranu sluchu.
5. Nástroj používajte a udržiavajte podľa odporúčaní v tomto návode, čím predídete zbytočnému zvýšeniu úrovni hlasitosti.
6. Vykonajte opatrenia na zníženie hluku. Obrobky napríklad umiestnite na podpery tlmiace zvuk.

### Riziká spojené s vibráciami

1. Emisie vibrácií počas prevádzky závisia od uchopovacej sily, prítlačnej sily, pracovného smeru, nastavenia prívodu energie, obrobku či podpery obrobku. Vykonajte hodnotenie rizík týkajúce sa rizík spojených s vibráciami a implementujte príslušné kroky na ich reguláciu.
2. Vystavenie vibráciám môže spôsobiť trvalé poškodenie nervov a prekrvenia rúk a ramien.
3. Pri práci v chladných podmienkach noste teplé oblečenie. Ruky uchovávajte v teple a suchu.
4. Ak pocítujete znečistenie, brnenie, bolesť alebo blednutie pokožky prstov alebo rúk, vyhľadajte v súvislosti s celkovou aktivitou lekársku pomoc od kvalifikovaného zdravotníka.
5. Nástroj používajte a udržiavajte podľa odporúčaní v tomto návode, čím predídete zbytočnému zvýšeniu úrovni vibrácie.
6. Nástroj držte zľahka, no bezpečným spôsobom, pretože riziko spojené s vibráciami je vo všeobecnosti vyššie v prípadoch, že je sila úchopu vyššia.

### Ďalšie varovania pre pneumatické nástroje

1. Stlačený vzduch môže spôsobiť vážne zranenia.
2. Keď nástroj nepoužívate, vždy vypnite prívod vzduchu a nástroj od neho odpojte.
3. Pred výmenou príslušenstva, úpravami alebo opravami či odchode z prevádzkovej oblasti na iné miesto nástroj vždy odpojte od prívodu stlačeného vzduchu.
4. Keď nástroj nepoužívate alebo sa presúvate z jednej prevádzkovej polohy na druhú, nemajte prsty na spúšti.
5. Stlačený vzduch nesmerujte nikdy na seba ani na iných ľudí.
6. Úder hadicou môže spôsobiť vážne zranenia. Vždy kontrolujte, či hadice alebo armatúry nie sú poškodené alebo uvoľnené.
7. Pneumatický nástroj nikdy neprenášajte za hadicu.
8. Pneumatický nástroj nikdy nefahajte za hadicu.
9. Pri použití pneumatického náradia neprekračujte maximálny prevádzkový tlak označený ako ps max.
10. Pneumatické nástroje sa môžu napájať výlučne stlačeným vzduchom pri najnižšom pracovnom tlaku, čím sa zníži hluk, vibrácie a minimalizuje sa

opotrebovanie.

11. Používanie kyslíka alebo horľavých plynov na prevádzku pneumatických nástrojov predstavuje nebezpečenstvo vzniku požiaru a výbuchu.
12. Pri používaní pneumatického náradia postupujte opatrne, pretože sa môže schladíť, čo ovplyvňuje úchop a kontrolu nad nástrojom.



### Ďalšie varovania týkajúce sa nástrojov s možnosťou spúšťania pri kontakte

1. Pri zdvíhaní náradia, zмене prevádzkových oblastí alebo poloh či pri chôdzi nekladte prst na spúšť. Ak na to nebudete dbať, môžete tým zapríčiniť náhodné spustenie nástroja.
2. Ak má tento nástroj buď selektívne ovládanie pre dotykové ovládanie, alebo kontinuálne dotykové ovládanie pomocou prepínačov režimu aktivácie, alebo ide o dotykový ovládač, alebo nástroj pre ovládanie nástrojov a označený vedľa symbolom, sú identifikované použitia pre výrobné aplikácie, ako sú palety, nábytok, bednenie, čalúnenie a potahovanie textíliou.
3. Nepoužívajte tento nástroj s dotykovým ovládaním pre aplikácie, ako sú uzatvárateľné krabice alebo prepravy a montáž dopravných bezpečnostných systémov na prívosoch / návosoch / nákladných automobiloch.
4. Varovania, že nástroj sa smie používať iba na bezpečných pracovných miestach!
5. Pri prechode z jedného miesta na druhé postupujte opatrne!



### NABÍJANIE

1. Odpojte nástroj od prívodu vzduchu. **(Figure 3)**
2. Stlačením páčky uvoľníte zásobník. **(Figure 4)**
3. Nabíjanie klinec: Nasmerujte klinecovačku smerom dolu a nasadte pás klinec na zásobník, hrotmu dolu. **(Figure 5)** Zatláčte kolajničku kým nezapadne na miesto. **(Figure 6)**
4. Používajte len odporúčaný spojovací materiál (pozri technické špecifikácie).
5. Nástroje a kince/sponky uvedené v tomto návode na obsluhu sa považujú za jeden bezpečnostný systém jednotky.

### POUŽITIE NÁSTROJA

1. Namierte nástroj preč od seba a iných a pripojte prívod vzduchu. **(Figure 1)**
2. Nástroje by mali byť prevádzkované pri minimálnom tlaku potrebnom pre aplikáciu. Zabezpečí sa tak minimalizácia hladiny hluku, opotrebenie dielov a spotreba energie.
3. Priložte hlavu nástroja na obrobok, do ktorého budete aplikovať spojovací materiál a stlačením spúšte vystrelíte spojovací materiál. **(Figure 7)**  
Nastavte minimálny tlak tak aby spojovací materiál prenikol do určeného materiálu. Následne vykonajte niekoľko pokusov počnúc najnižším tlakom.
4. Skontrolujte, či dochádza k zavedeniu klinec/sponiek do obrobku v súlade s požiadavkami  
– ak klinec/sponka odstavajú, zvyšujte tlak vzduchu v krokoch o 0,5 baru, pričom po každej ďalšej úprave kontrolujte výsledok;

- ak kliniec/sponka zachádzajú príliš hlboko, znížite tlak vzduchu v krokoch po 0,5 baru, kým nedosiahnete uspokojivý výsledok.
- 5. V každom prípade by ste sa mali snažiť pracovať s čo najnižším možným tlakom vzduchu.
- 6. Nástroj počas používania držte spôsobom, aby v prípade novej spätnej väzby po prerušení dodávky energie alebo náraze do tvrdých oblastí obrobku nemohol spôsobiť zranenia hlavy či tela.
- 7. Nástroj je pri preprave nevyhnutné odpojiť od systému stlačeného vzduchu, a to najmä v prípade, ak sa používajú rebriky alebo ak počas prepravy musíte zaujať neobvyklý fyzický postoj.
- 8. Nastrelovačku na pracovisku prenášajte výhradne za rúčku, pričom nikdy nedržíte stlačenú spúšť.
- 9. Zohľadnite stav obrobku. Klince/sponky môžu preniknúť tenkými obrobkami, prípadne sa môžu zosmyknúť z rohov a okrajov obrobkov, v dôsledku čoho pre ľudí predstavujú riziko.
- 10. Na zaistenie osobnej bezpečnosti používajte ochranné pomôcky, ako napríklad ochranu sluchu a očí.
- 11. Spúšť a bezpečnostný strmeň musia byť uvedené do činnosti pri každom zavedení klinca/sponky, pričom nezáleží na poradí ich aktivácie. Pri opakovanom nastrelovaní stáci ponechajte aktivovanú spúšť a bezpečnostný strmeň sa aktivuje následne (platí to aj obrátene).
- 12. Vyhybajte sa spúšťaniu nástroja pri prázdnom zásobníku.
- 13. Akýkoľvek chybný alebo nesprávne fungujúci nástroj musí byť okamžite odpojený od prívodu stlačeného vzduchu a odovzdaný odborníkovi na kontrolu.
- 14. V prípadoch dlhších prestávok medzi prácami alebo na konci pracovnej zmeny odpojte nástroj od prívodu stlačeného vzduchu. Zároveň sa odporúča vyprázdniť zásobník.
- 15. Konektory stlačeného vzduchu a hadice nástroja musia byť chránené pred znečistením. Prienik veľkého množstva prachu, pilín, piesku atď. spôsobí netesnosti a poškodí nástroj a tesnenia.

### SYSTÉM STLAČENÉHO VZDUCHU

1. Na správne fungovanie nastrelovačky je nevyhnutný filtrovaný, suchý <a namazaný> stlačený vzduch v adekvátnom množstve. **(Figure 11)**
2. Ak tlak vzduchu v systéme vedenia prekročí povolený tlak nastrelovačky, v prírodnom potrubí k nástroju musí byť dodatočne namontovaný redukčný ventil, za ktorým nasleduje dolný bezpečnostný ventil.
3. Nastrelovačku k prívodu stlačeného vzduchu pripájajte pomocou vhodnej tlakovej hadice, ktorá je vybavená rýchlospojками. **(Figure 1)**
4. Kompresorové zariadenie musí byť primerane dimenzované z hľadiska výstupného tlaku a výkonu (objemový prietok) vzhľadom na očakávanú spotrebu. Časti vedenia, ktoré sú príliš malé vzhľadom na dĺžku vedenia (potrubia a hadice), ako aj preťaženie kompresora, budú mať za následok pokles tlaku.
5. Trvalo položené potrubia na stlačený vzduch musia mať vnútorný priemer minimálne 19 mm a príslušne veľký priemer v prípade, že ide o relatívne dlhé potrubia alebo viacerých používateľov.
6. Potrubia na stlačený vzduch sa musia ukladať tak, aby boli uložené pod sklonom (najvyšší bod v smere ku

kompresoru). V najnižších bodoch sa musia inštalovať jednoducho prístupné odľučovacie vody.

7. Používateľské spojky sa musia do potrubí pripájať zhora.
8. Prípojky pre nastrelovačky musia byť vybavené priamo v bode pripojenia jednotkou na ošetroenie stlačeného vzduchu (filter/odľučovač vody/olejničky).
9. Olejničky sa musia kontrolovať denne a v prípade potreby dopĺňať odporúčanou triedou oleja (prečítajte si TECHNICKÉ ÚDAJE). Ak používate hadicu s dĺžkou viac než 10 m, nemožno zaručiť prívod oleja do nastrelovačky. Z tohto dôvodu odporúčame kvapnúť 2 až 5 kvapiek (v závislosti od zafarbenia nastrelovačky) odporúčaného oleja (prečítajte si TECHNICKÉ ÚDAJE) cez prívod vzduchu do nástroja, prípadne do olejničky, ktorá je priamo pripojená k nastrelovačke.

### DIAGNOSTIKA PORÚCH A ÚDRŽBA

1. Ak nastane zablokovanie spojovacieho materiálu, odpojte nástroj od prívodu vzduchu. **(Figure 3)**
2. Uvoľnite zásobník a vysuňte kolajničku. **(Figure 8)** Uvoľnite zaseknutý spojovací materiál.
3. Alebo povoľte skrutky na prednom kryte a vyťahnite ich. **(Figure 9)** Odstráňte zaseknutý pin. **(Figure 10)** Znovu nasadte predný kryt a utiahnite skrutky.

### ÚDRŽBA:

1. Na nástroji odpojenom od prívodu vzduchu vykonajte každodennú kontrolu voľného pohybu bezpečnostného popruhu a spúšte.
2. Všetky skrutky musia byť vždy pevne dotiahnuté. **(Figure 2)**  
Voľné skrutky môžu ohroziť bezpečnosť prevádzky a poškodenie dielov. Do prívodu vzduchu jemne vstreknite 2 alebo 3 kvapky oleja.
3. Použite iba olej odporúčaný v manuáli / v časti s technickými údajmi. Udržiavajte nástroj v čistote. Pravidelne ho utierajte suchou handrou a kontrolujte opotrebenie dielov. Občas namažte pohyblivé časti zásobníka aby nedochádzalo k ich opotrebeniu.
4. Nepoužívajte horľavé čistiace roztoky. Nenamáčajte a nepoužívajte rozpúšťadlá, takéto látky môžu poškodiť tesniace krúžky a iné citlivé časti nástroja. Používajte čistý, suchý vzduch. Najvhodnejšie je používať úpravu stlačeného vzduchu pred prívodom vzduchu do nástroja. Opravy mimo zásahov popísaných v tomto dokumente môžu vykonávať len školení a kvalifikovaní pracovníci prípadne pracovníci popredajného servisu výrobcu.

### ZOZNAM NÁHRADNÝCH DIELOV

Pri likvidácii náradia dodržiavajte miestne predpisy.

### PMP171 Zoznam náhradných dielov (Figure 12)

Index	Art. Žiadny	Popis
A	5001346	Jednotka hlavového ventilu, valček a piesta
B	5001347	Bezpečnostná a spúšťacia jednotka
C	5001348	Jednotka zásobníka

# PNEVMATSKI ŽEBLJALNIK PMP171

Navodila za uporabo - Prevod izvirnika

SI

## TEHNIČNE SPECIFIKACIJE

Velikost orodja	Višina	190 mm
	Dolžina	230 mm
	Širina	48 mm
	Teža brez žeblja	0,95 kg
	Teža z najtežjimi žebli	0,96 kg
Dovod zraka		1/4"
Največji dopustljiv delovni tlak		8 bar
Delovni tlak	Mini	5 bar
	Maksi	7 bar
Sistem za aktiviranje		Kontaktno aktiviranje
Priporočljive sponke		Rapid 23P: 15 -> 35 mm
Dimenzije žeblja		Ø0,64mm - 23Ga
Kapaciteta		150
Priporočeno pnevmatsko olje	Hidravlično olje ISO 46 ali enakovredno	
	LpA, 1s, d	70,9 dB
	negotovo	2,5 dB
	LwA, 1s, d	83,9 dB
	negotovo	2,5 dB
Informacije o hrupu (EN 12549:1999)	LpC, vrhunec	109 dB
	negotovo	2,5 dB

Ta vrednosti so karakteristične vrednosti, ki so odvisne od posameznega orodja, in ne predstavljajo vrednosti hrupa med uporabo. Hrup, ki nastaja ob uporabi, je npr. odvisen od delovnega okolja, obdelovanca, podpore obdelovanca in stopnje delovanja. Tudi dizajn obdelovanec lahko pomaga pri zmanjševanju stopnje hrupa, npr. če obdelovanec namestite na podporo, ki duši hrup.

Informacije o vibracijah (ISO 8662-11:1999)	Vibracije	2,24 m/s <sup>2</sup>
	negotovo	0,332 m/s <sup>2</sup>

Ta vrednost je karakteristična vrednost, ki je odvisna od posameznega orodja, in ne predstavlja vpliva na dlan/roko med uporabo orodja. Kakršenkoli vpliv na dlan/roko med uporabo orodja je npr. odvisen od moči prijema, tlačne sile ob stiku, smeri delovanja, nastavitve napajanja, obdelovanca, podpore obdelovanca.

## SIMBOLI

V nadaljevanju so prikazani simboli, ki se uporabljajo za opremo. Pred uporabo se prepričajte, da razumete njihov pomen.



Pazljivo preberite in upoštevajte opozorila na nalepkah na orodju in v priručniku. Neupoštevanje opozoril lahko povzroči resne poškodbe.



Upravljalci in drugi na delovnem območju morajo nositi zaščito oči, odporno na udarce, s stranskimi ščiti.



Operaterji in drugi v delovnem prostoru mora nositi opremo za zaščito sluha.



Orodje lahko deluje v načinu kontaktnega aktiviranja




Orodja ne uporabljajte, ko ste na tehtnicah, stopnicah ali odrih, lestvah ali lestvam podobnih konstrukcijah, npr. strešne letve, pri zapiranju škatel ali zabojev, pri nameščanju varnostnih transportnih sistemov, npr. na vozilih in vagonih.



Za napajanje tega orodja nikoli ne uporabljajte kisika, ogljikovega dioksida ali katerega drugega plina v jeklenkah.

## SPLOŠNA VARNOSTNA OPOZORILA

- Za osebno varnost in pravilno delovanje in vzdrževanje orodja preberite ta navodila za uporabo, preden orodje uporabite.** 
- Shranite vsa opozorila in navodila za nadaljnjo uporabo.
- Orodje je namenjeno samo profesionalni uporabi. Ne uporabljajte ga za noben drug namen. Ni zasnovan za pritrđitev pritrđilnih elementov neposredno na trdo površino, kot sta jeklo in beton.
- Uporabnik mora oceniti posebna tveganja, ki so posledica vsake uporabe.
- Vsaka druga uporaba, razen predvidene uporabe tega orodja, je prepovedana. Orodja za pritrđevanje pritrđilnih elementov z neprekinjenim kontaktnim aktiviranjem ali kontaktnim aktiviranjem se uporabljajo samo za proizvodne namene.
- Ko ne uporabljate tega orodja in ko se premikate iz enega v drug položaj, držite prste stran od sprožilca.
- Več nevarnosti. Preden priključite, odklopite, naložite, upravljate, vzdržujete, menjavate dodatke ali delate v bližini orodja, skrbno preberite in upoštevajte varnostna navodila. Če tega ne storite, lahko pride do hudih telesnih poškodb.
- Vse dele telesa, kot so roke in noge itd, držite stran od smeri streljanja in zagotovite, da pritrđilni element ne more prodreti skozi obdelovanec v dele telesa.
- Pri uporabi orodja bodite pozorni, da se lahko pritrđilni element odbije in povzroči poškodbe.

- Držite orodje s trdnim prijemom in bodite pripravljeni na povratni udarec.
- Orodje za upravljanje pritrilnih elementov smejo uporabljati samo strokovno usposobljeni upravljalci.
- Ne spreminjajte pogonskih delov orodja. Spremembe lahko zmanjšajo učinkovitost varnostnih ukrepov in povečajo tveganja za upravljalca in / ali opazovalca.
- Ne zavrzite navodil za uporabo.
- Ne uporabljajte orodja, če je orodje poškodovano.
- Bodite previdni pri rokovanju s pritrilnimi elementi, zlasti pri nakladanju in razkladanju, saj imajo pritrilni elementi ostre točke, ki lahko povzročijo poškodbe.
- Pred uporabo vedno preverite, ali so deli orodja poškodovani, napačno povezani ali obrabljeni.
- Ne pretiravajte. Uporabljajte samo na varnem delovnem mestu. Vedno ohranite ravnotežje.
- Zagotovite, da se mimooidči ne morejo približati vašemu delovnemu prostoru (kadar delate na območju, kjer obstaja verjetnost mimooidčih). Jasno označite svoje območje delovanja.
- Nikoli ne usmerite orodja proti sebi ali proti drugim.
- Pri dvigovanju orodja, premikanju med delovnimi območji in položaji ali hoji ne držite prsta na sprožilcu, saj lahko počivanje prsta na sprožilcu povzroči nenamerno proženje. Pri orodjih s selektivnim aktiviranjem vedno preverite orodje pred uporabo, da preverite, ali je izbran pravi način.
- Nosite samo rokavice, ki zagotavljajo ustrezen občutek in varen nadzor sprožilcev in vseh nastavitvenih naprav.
- Ko ga ne uporabljate orodje položite na ravno površino. Če uporabljate kavelj s katerim je orodje opremljeno, ga varno zatakните za stabilno površino.
- Ne uporabljajte orodja, če ste pod vplivom alkohola, mamil ali podobnega.
- Orodja ne uporabljajte, ko ste na tehtnicah, stopnicah ali odrih, lestvah ali lestvam podobnih konstrukcijah, npr. strešne letve, pri zapiranju škotel ali zabojev, pri nameščanju varnostnih transportnih sistemov, npr. na vozilih in vagonih.



### Nevarnosti izstrelkov

- Pri odstranjevanju pritrilnih elementov, prilagajanju, odstranjevanju zastojev ali zamenjavi dodatkov je treba orodje izključiti.
- Med delovanjem bodite pozorni, da pritrilni elementi pravilno prodrejo v material in se ne morejo odbiti/zgrešiti proti uporabniku in/ali morebitnim opazovalcem.
- Med delovanjem lahko pride do odstranjenja ostankov v obdelovanca in sistema pritrditve.
- Vedno nosite zaščitna očala, da zaščitite oči pred poškodbami pri uporabi električnega orodja. Očala morajo biti v skladu z ANSI Z87.1 v ZDA, EN 166 v Evropi ali AS / NZS 1336 v Avstraliji in Novi Zelandiji. V Avstraliji in Novi Zelandiji je zakonsko obvezno nositi ščitnik za obraz, da zaščitite tudi svoj obraz. Delodajalec je odgovoren za to, da upravljalci orodja in druge osebe v neposrednem delovnem območju uporabljajo ustrezno varnostno opremo.
- Tveganja za druge oceni upravljalcev orodja.
- Bodite previdni pri orodjih, ko nimate stika z obdelovanci, saj se lahko nenamerno aktivirajo in



poškodujejo upravljalca in/ali opazovalca.

- Zagotovite, da je orodje vedno pritisnjeno na obdelovanec in ne more zdrsniti.
- Nosite slušno zaščito, da zaščitite ušesa pred hrupom izpušnih plinov in zaščito glave. Nosite tudi lahka, a ne ohlapna oblačila. Rokave je treba zapeti ali zavahiti. Orodja ne uporabljajte, če nosite kravato.



### Nevarnosti pri uporabi

- Pravilno držite orodje: bodite pripravljeni preprečiti običajna ali nenadna gibanja, npr. povratni udar
- Ohranite uravnotežen položaj telesa in varno podlago.
- Uporabljajte ustrezna varnostna očala in priporočajo se ustrezne rokavice in zaščitna oblačila.
- Nosite ustrezno zaščito sluha.
- Uporabite pravilno napajanje z energijo, kot je določeno v navodilih za uporabo.
- Ne uporabljajte orodja na premičnih ploščadih ali na zadnji strani tovornjakov. Zaradi nenadnega gibanja ploščadi lahko izgubite nadzor nad orodjem kar lahko povzroči poškodbe.
- Vedno predvidevajte, da orodje vsebuje pritrilne elemente.
- Nikoli ne hitite in ne delajte z orodjem na silo. Z orodjem ravnajte previdno.
- Pazite kje stojite in vzdržujte ravnotežje z orodjem. Pri delu na visokih lokacijah se prepričajte, da ni nikogar spodaj in pritrдите zračno cev, da preprečite nevarnost, če pride do nenadnega trzanja ali prijema.
- Na strehah in drugih visokih lokacijah uporabljajte orodje, ko se premikate naprej. Če se med uporabo orodja premikate nazaj lahko zelo hitro izgubite ravnotežje. Ko pritrjujete pritrilne elemente na navpični površini, delujte od zgoraj navzdol. Na ta način bo delo manj utrudljivo.
- Pritrdilni element se bo opognil ali se bo orodje zagodilo, če pomotoma pritrдите pritrilni element na drug pritrilni element ali udarite v grčo. Pritrdilni element lahko odleti v nekoga ali pa lahko orodje samo reagira nevarno. Pritrdite pritrilne elemente previdno.
- Napolnjenega orodja ali kompresorja za zrak ne puščajte pod pritiskom dlje časa na soncu. Pazite, da odložite orodje na mestu kjer prah, pesek, sekanci in tuje snovi ne bodo prišli v orodje.
- Nikoli ne poskušajte pritrjevati pritrilnih elementov istočasno od znotraj in od zunaj. Pritrdilni elementi se lahko odtrgajo in/ali odletijo, kar predstavlja resno nevarnost.

### Nevarnosti ponavljajočih se gibanj

- Kadar orodje uporabljate dlje časa, lahko pride do občutka nelagodja v dlaneh, rokah, vratu ali drugih delih telesa.
- Med uporabo orodja mora upravljalcev zavzeti primerno, vendar ergonomsko držo. Ohranite varno podlago in se izogibajte nerodnim ali neuravnoteženim položajem.
- Če uporabnik občuti simptome, kot so vztrajno ali ponavljajoče se nelagodje, bolečina, utripanje, mravljinčenje, otrplost, pekoč občutek ali okorelost, ne prezrite teh opozorilnih znakov. Uporabnik se mora posvetovati s kvalificiranim zdravstvenim delavcem.
- Nenehna uporaba orodja lahko povzroči ponavljajoče se poškodbe zaradi povratnega udara, ki ga povzroči

- orodje.
- Da bi se izognili ponavljajočim se poškodbam, uporabnik ne sme pretiravati ali uporabljati prevelike sile. Poleg tega si mora uporabnik vzeti počitek, ko občuti utrujenost.
  - Izvedite oceno tveganja v zvezi z nevarnostjo ponavljajočega gibanja. Osredotočiti se mora na mišično-skeletne motnje in prednostno temeljiti na predpostavki, da je zmanjševanje utrujenosti med delom učinkovito pri zmanjševanju motenj.

### Nevarnosti dodatne opreme in potrošnega materiala

- Preden zamenjate dodatke, kot je kontakt obdelovanca, ali pred kakršnimi koli prilagoditvami izklopite dovod energije za orodje, na primer zrak ali plin ali baterijo.
- Uporabljajte samo velikosti in vrste dodatkov, ki jih ponuja proizvajalec.
- Uporabljajte samo maziva, priporočena v tem priročniku.

### Nevarnosti na delovnem mestu

- Zdrsi, spotikanja in padci so glavni vzroki za poškodbe na delovnem mestu. Pri uporabi orodja bodite pozorni na spolzke površine in na nevarnost spotikanja ob cev za zračni vod.
- Posebaj bodite previdni v neznani okolici. Lahko obstajajo skrite nevarnosti, kot so električni ali drugi komunalni vodi.
- To orodje ni namenjeno uporabi v potencialno eksplozivnih atmosferah in ni izolirano za primer stika z električno energijo.
- Prepričajte se, da ni električnih kablov, plinskih cevi ipd., ki bi lahko povzročili nevarnost, če jih poškodujete z orodjem.
- Delovni prostor naj bo čist in dobro osvetljen. Razmetani ali temni prostori so lahko vzrok za nesreče.
- Lahko obstajajo lokalni predpisi v zvezi s hrupom, ki jih je treba upoštevati z ohranjanjem ravnih hrupa v predpisanih mejah. V določenih primerih je treba uporabiti protihrupne zaščite.

### Nevarnosti zaradi prahu in izpušnih plinov

- Vedno preverite svojo okolico. Zrak, ki prihaja iz orodja, lahko odpihne prah ali predmete, ki lahko zadenejo uporabnika in/ali mimoidoče.
- V prašnem okolju izpušni sistem usmerite tako, da dvigujete čim manj v prahu.
- Če se na delovnem območju dviguje prah ali predmeti, čim bolj zmanjšajte emisije, da zmanjšate nevarnosti za zdravje in poškodbe.

### Nevarnosti zaradi hrupa

- Nezaščiten izpostavljenost visoki ravni hrupa lahko povzroči trajno izgubo sluha in druge težave, kot so tinitus (zvonjenje, piskanje, žvižganje ali šumenje v ušesih).
- Izvedite oceno tveganja glede nevarnosti hrupa na delovnem območju in izvedite ustrezen nadzor za te nevarnosti.
- Ustrezni nadzor za zmanjšanje tveganja lahko vključuje ukrepe, kot so materiali za blaženje zvoka, da preprečimo "zvonjenje" obdelovanca.
- Uporabite ustrezno zaščito sluha.
- Uporabljajte in vzdržujte orodje, kot je priporočeno v

teh navodilih, da preprečite nepotrebno povečanje ravnih hrupa.

- Izvedite ukrepe za zmanjšanje hrupa, na primer namestite obdelovanca na podlogo za blaženje zvoka.

### Nevarnosti zaradi vibracij

- Količina vibracij med delovanjem je odvisna od sile oprijema, kontaktne tlačne sile, delovne smeri, prilagoditve oskrbe z energijo, obdelovanca, podloge obdelovanca. Izvedite oceno tveganja glede nevarnosti vibracij in izvedite ustrezen nadzor za te nevarnosti.
- Izpostavljenost vibracijam lahko povzroči poškodbe živcev in motnjo prekrvavitve dlani in rok.
- Nosite topla oblačila, ko delate v hladnih razmerah, imejte roke tople in suhe.
- Če občutite otrplost, mravljinčenje, bolečino ali beljenje kože v prstih ali rokah, poiščite zdravniško pomoč kvalificiranega zdravstvenega delavca.
- Uporabljajte in vzdržujte orodje, kot je priporočeno v teh navodilih, da preprečite nepotrebno povečanje ravnih vibracij.
- Orodje držite z lahkimi, vendar varnimi oprijemom, ker je tveganje zaradi vibracij na splošno večje, ko je sila oprijema večja.

### Dodatna opozorila za pnevmatska orodja

- Stisnjen zrak lahko povzroči hude telesne poškodbe.
- Kadar orodja ne uporabljate, vedno izklopite dovod zraka in orodje odklopite iz dovoda zraka.
- Orodje vedno izklopite iz dovoda stisnjenega zraka, preden zamenjate dodatno opremo, izvedete prilagoditve in/ali popravila, ko se premikate iz delovnega območja v drugo območje.
- Ko ne uporabljate orodja in ko se premikate iz enega delovnega položaja v drugega, držite prste stran od sprožilca.
- Nikoli ne usmerite stisnjenega zraka proti sebi ali v koga drugega.
- Cevi, ki niso pod nadzorom lahko povzročijo hude telesne poškodbe. Vedno preverite, ali so poškodovane ali ohlapne cevi ali nastavki.
- Nikoli pri prenašanju ne držite pnevmatskega orodja za cev.
- Pnevmatskega orodja nikoli ne vlecite za njegovo cev.
- Pri uporabi pnevmatskih orodij ne prekoračite največjega delovnega tlaka.
- Pnevmatična orodja priključite na stisnjen zrak pri najnižjem tlaku, ki je potreben za delovni proces, da zmanjšate hrup, vibracije in obrabo.
- Pri uporabi kisika ali gorljivih plinov za delovanje pnevmatskih orodij lahko pride do požara in eksplozije.
- Bodite previdni pri uporabi pnevmatskih orodij, saj lahko orodje postane hladno, kar vpliva na oprijem in nadzor.



### Dodatna opozorila za orodja z možnostjo kontaktnega aktiviranja

- Pri dvigovanju orodja, premikanju med delovnimi območji in položaji ali hoji ne držite prsta na sprožilcu, saj lahko tako povzročite nenamerno sproženje orodja.
- Če ima to orodje selektivno aktiviranje za kontaktno aktiviranje ali neprekinjeno kontaktno aktiviranje z izbirnimi načina



- aktivacije ali je orodje za kontaktno aktiviranje oz. neprekinjeno kontaktno aktiviranje in je označeno s simbolom, je namenjena uporaba orodja za proizvodne namene, kot so palete, pohištvo, montažne hiše, oblažinjene in obloge.
3. Tega orodja ne uporabljajte za kontaktno aktiviranje pri zapiranju škotel ali zabojev oz. namestitve varnostnih transportnih sistemov na priklonike in tovornjake.
  4. Opozorilo! Orodje naj se uporablja samo na varnih delovnih mestih.
  5. Pri menjavi iz ene lokacije vožnje v drugo bodite previdni.

## POLNJENJE

1. Odklopite orodje od dovoda zraka. **(Figure 3)**
2. Pritisnite vzvod, da sprostite magazin. **(Figure 4)**
3. Vstavljanje žebeljev: žebeljnik obrnite navzdol in vstavite komplet žebeljev v kartušo, tako da bodo konice gledale navzdol. **(Figure 5)** Potisnite vodilo, da zaskoči. **(Figure 6)**
4. Uporabljajte samo priporočene sponke (glejte tehnične specifikacije).
5. Orodje in pritrilni elementi, navedeni v navodilih za uporabo, se štejejo za en sam varnostni sistem.

## UPORABA ORODJA

1. Orodje naj bo usmerjeno stran od vas in drugih. Priključite orodje na dovod zraka. **(Figure 1)**
2. Orodje uporabljajte pri najnižjem tlaku, ki je potreben za uporabo. Tako boste zmanjšali raven hrupa, obrabo delov in porabo energije.
3. Konic orodja potisnite na obdelovanec, ki ga želite pritriliti in pritisnite sprožilec, da izstopijo sponke. **(Figure 7)**  
Dodajte zgolj minimalni tlak, ki je potreben za prodiranje sponk. Nato naredite nekaj preizkusov, pri čemer začnite pri najnižjem tlaku.
4. Preverite, ali je pritrilni element pritrjen v obdelovanec v skladu z zahtevami.
  - če pritrilni element štrli iz obdelovanca, povečajte zračni tlak v korakih 0,5 bara in preverite rezultat po vsaki novi prilagoditvi;
  - če je pritrilni element pritrjen pregloboko v obdelovanec, zmanjšajte zračni tlak v korakih 0,5 bara, dokler rezultat ni zadovoljiv.
5. V vsakem primeru bi si morali prizadevati za čim nižji zračni tlak.
6. Med delom držite orodje tako, da ne bo prišlo do poškodb glave ali telesa v primeru morebitnega povratnega udarca, ki bi bil posledica motenj v oskrbi z energijo ali na trdih delih obdelovanca.
7. Pri premikanju se orodje odklopi od sistema za stisnjen zrak, zlasti tam, kjer se uporabljajo lestve ali kadar premikanje zahteva nenavadno fizično držo.
8. Pri prenašanju na delovnem mestu držite orodje za pritrditve le za ročaj in nikoli z aktiviranim sprožilcem.
9. Upoštevajte pogoje na delovnem mestu. Pritrilni elementi lahko prodrejo skozi tanke obdelovance ali zdrsnejo po vogalih in robovih obdelovancev in tako ogrožajo ljudi.
10. Za osebno varnost uporabljajte zaščitno opremo, kot sta zaščitna sluha in oči.
11. Sprožilec in varnostni jarm je treba aktivirati za vsako

operacijo, pri čemer vrstni red aktiviranja ni določen. Pri večkratnih aktivacijah zadostuje, če bodisi sprožilec ostane vklopljen in se varnostni jarm sproži zatem, ali obratno.

12. Izogibajte se sprožitvi orodja, če je magazin prazen.
13. Vsako okvarjeno ali nepravilno delujoče orodje je treba nemudoma izklopiti iz dovoda stisnjenega zraka in ga predati strokovnjaku na pregled.
14. V primeru daljših prekinitev dela ali ob koncu delovne izmene orodje izključite iz dovoda stisnjenega zraka. Priporočamo tudi, da izpraznite magazin.
15. Priključke za stisnjen zrak orodja in cevi je treba zaščititi pred onesnaženjem. Vdor grobega prahu, sekancev, peska itd. bo povzročil puščanje in poškodbe orodja in priključkov.

## SISTEM ZA STISNEN ZRAK

1. Za pravilno delovanje orodja za pritrjevanje je potreben filtriran, suh in <podmazan> stisnjen zrak v ustreznih količinah. **(Figure 11)**
2. Če zračni tlak v cevovodu presega največji dovoljeni tlak orodja za pritrjevanje, se v dovodni vod orodja dodatno namesti ventil za zmanjšanje tlaka, ki mu sledi varnostni ventil.
3. Priključite orodje za pritrjevanje na dovod stisnjenega zraka s primerno tlačno cevjo, opremljeno s priključki za hitro delovanje. **(Figure 1)**
4. Kompresorska naprava mora biti ustrezno dimenzionirana glede na izhodni tlak in zmogljivosti (volumski pretok) za pričakovano porabo. Premeri cevi, ki so glede na dolžino cevi premajhni, pa tudi preobremenitev kompresorja, bodo povzročili padec tlaka.
5. Stalno položeni cevovodi za stisnjen zrak morajo imeti notranji premer najmanj 19 mm oziroma ustrezen velik premer, kadar gre za razmeroma dolge cevovode ali več uporabnikov.
6. Cevovodi za stisnjen zrak morajo biti položeni tako, da tvorijo nagib (najvišja točka v smeri kompresorja). Na najnižjih točkah je treba namestiti lahko dostopne ločilnike vode.
7. Priključke za uporabnike je treba od zgoraj priključiti na cevovode.
8. Priključne točke za orodje za pritrjevanje morajo biti nameščene s servisno enoto za stisnjen zrak (filter / ločilnik vode / olje) neposredno na mestu stičišča.
9. Nivo olja je treba dnevno preverjati in po potrebi dolivati priporočeni razred olja (glejte TEHNIČNI PODATKI). Če uporabljate cevi daljše od 10 m, oskrbe z oljem za orodje za pritrditve ni mogoče zagotoviti. Zato priporočamo, da 2 do 5 kapljic (odvisno od obremenitve orodja za pritrditve) dodate skozi dovod zraka za orodje ali v enoto za podmazovanje, pritrjeno neposredno na orodje za pritrditve.

## ODPRAVLJANJE TEŽAV IN VZDRŽEVANJE

1. Če se sponke zagozdijo, odklopite orodje od dovoda zraka. **(Figure 3)**
2. Sprostite magazin in potisnite nazaj. **(Figure 8)** Odstranite zagozdene sponke.
3. Ali sprostite oba vijaka sprednjega pokrova in ga izlecite. **(Figure 9)** Odstranite prenapolnjen projektil. **(Figure 10)** Zamenjajte sprednji pokrov in

privijte vijake.

## VZDRŽEVANJE:

1. Ko je orodje odklopljeno od dovoda zraka, opravite vsakodnevni pregled in zagotovite nemoteno gibanje varnostnih vilic in sprožilnika.
2. Vsi vijaki morajo biti trdno priviti. **(Figure 2)**  
Zaradi odvitih vijakov lahko pride do nevarnega delovanja in lomljenja delov. V dovod zraka vbrzgate zgolj 2 do 3 kapljice olja.
3. Za orodje uporabljajte samo olje, ki je priporočeno v tehničnih specifikacijah. Orodje naj bo čisto. Redno ga obrišite s suho krpo in ga pregledajte glede obrabe. Občasno namažite drsne dele magazina, da preprečite obrabo. Ne uporabljajte vnetljivih čistil.
4. Ne namakajte, ne uporabljajte topil, saj lahko takšne raztopine poškodujejo O-obroč in občutljive dele orodja. Uporabljajte čist, suh zrak. Najboljše je, če za dovod zraka do orodja uporabljate napravo za pripravo

stisnjenega zraka. Popravila, ki niso opisana tukaj, naj opravlja samo izšolano, usposobljeno osebje ali servisna služba proizvajalca.

## SEZNAM REZERVNIH DELOV

Pri odlaganju orodja na odpad upoštevajte lokalne predpise.

### PMP171 Seznam rezervnih delov (Figure 12)

Indeks	Šifra	Opis
A	5001346	Komplet glavnih ventilov, valjev in batov
B	5001347	Varnostni komplet in komplet prožilcev
C	5001348	Komplet nabojnikov

## UREĐAJ ZA ZABIJANJE ČAVALA PMP171

### Upute za uporabo - prijevod izvornika



#### TEHNIŠKE SPECIFIKACIJE

Veličina uređaja	Visina	190 mm
	Duljina	230 mm
	Širina	48 mm
	Težina bez čavla	0,95 kg
	Težina sa najtežim čavlima	0,96 kg
Отвор za dovod zraka		1/4"
Maksimalni dozvoljeni radni tlak		8 bar
Radni tlak	Min.	5 bar
	Maks.	7 bar
Sustav za aktiviranje		Kontaktna aktivacija
Preporučene spojke		Rapid 23P: 15 -> 35 mm
Dimenzije čavala		Ø0,64mm - 23Ga
Kapacitet spremnika		150
Preporučeno pneumatsko ulje		Hidraulično ulje ISO 46 ili ekvivalentno
	LpA, 1s, d	70,9 dB
	neizvjesnost	2,5 dB
	LwA, 1s, d	83,9 dB
	neizvjesnost	2,5 dB
Podaci o razini buke (EN 12549:1999)	LpC, najviše	109 dB
	neizvjesnost	2,5 dB

buke, primjerice stavljanjem radnog materijala na nosače koji umanjuju širenje zvuka.

Podaci o razini vibracije (ISO 8662-11:1999)	Vibracije	2,24 m/s <sup>2</sup>
		neizvjesnost

Ova vrijednost je karakteristična vrijednost za ovaj uređaj i ne predstavlja stvarni učinak vibracije na ručnu uporabu uređaja. Stvarni učinak vibracija na ručnu uporabu uređaja ovisi, primjerice, o jakosti držanja, jakosti pritiska prilikom kontakta, smjeru uporabe, podešavanju izvora energije, radnom materijalu i nosaču ili držaču radnog materijala.

#### SIMBOLI

Simboli korišteni za opremu prikazani su u nastavku. Prije upotrebe provjerite jeste li razumjeli njihovo značenje.



Pažljivo pročitajte i slijedite upozorenjima na naljepnicama na alatu i u priručniku. Nepoštivanje upozorenja može rezultirati ozbiljnom ozljedom.



Rukovatelji i ostali u radnom području moraju nositi zaštitu od očiju otpornu na udarce sa bočnim štitnicima.



Operateri i drugi u radnom prostoru moraju nositi zaštitu za sluh.

Ove vrijednosti su karakteristične vrijednosti za ovaj uređaj i ne predstavljaju stvarnu razinu stvaranja buke na lokaciji uporabe. Razina buke na lokaciji uporabe ovisi, primjerice, o radnoj okolini, radnom materijalu, nosaču ili držaču radnog materijala te broju radne operacije. Organiziranje radnog prostora također može pomoći u smanjenju razine





Alat može raditi u načinu kontaktne aktivacije



Nemojte koristiti alat kada se nalazite na vagi, stepenicama ili skelama, ljestvama ili ljestvama sličnim konstrukcijama, npr. krovne letve, prilikom zatvaranja kutija ili sanduka, prilikom postavljanja sigurnosnih sustava prijevoza, npr. na vozilima i vagonima.



Nikada ne koristite kisik, ugljični dioksid ili bilo kakvu drugu vrstu plina u boci kao izvor opskrbe energijom ovog uređaja.

## OPĆA SIGURNOSNA UPOZORENJA

- 1. Za osobnu sigurnost i pravilan rad i održavanje alata, pročitajte ovaj priručnik prije upotrebe alata.**
- Spremite sva upozorenja i upute za buduću upotrebu.
- Alat se upotrebljava samo za profesionalnu primjenu. Ne koristite ga ni u koje druge svrhe. Nije predviđen za pričvršćivanje izravno na tvrdnu površinu poput čelika i betona.
- Korisnik bi trebao procijeniti specifične rizike koji su kod svake uporabe.
- Zabranjena je bilo kakva druga uporaba, osim namjenske uporabe ovog alata. Alati za pričvršćivanje s kontinuiranim kontaktnim aktiviranjem ili kontaktnim aktiviranjem koriste se samo za proizvodne primjene.
- Držite prste dalje od okidača kada ne koristite ovaj alat i kad prelazite iz jednog radnog položaja u drugi.
- Višestruke opasnosti. Pažljivo pročitajte i slijedite sigurnosne upute prije povezivanja, isključivanja, utovara, rada, održavanja, mijenjanja dodataka ili rada u blizini alata. Ako to ne učinite, može doći do ozbiljnih tjelesnih ozljeda.
- Držite sve dijelove tijela kao što su ruke i noge itd. dalje od smjera pucanja i osigurajte da pričvršćivač ne može prodrijeti kroz izradak u dijelova tijela.
- Kad koristite alat, imajte na umu da se pričvršćivač može odbiti i uzrokovati ozljede.
- Čvrsto držite alat i budite spremni za povratni udarac.
- Samo tehnički kvalificirani rukovatelji trebaju koristiti alat za pričvršćivanje.
- Ne mijenjajte pogonske dijelove alata. Izmjene mogu umanjiti učinkovitost sigurnosnih mjera i povećati rizik za operatera i / ili prolaznika.
- Ne bacajte priručnik s uputama.
- Ne koristite alat ako je alat oštećen.
- Budite oprezni pri rukovanju pričvršćivačima, posebno prilikom utovara i istovara, jer pričvršćivači imaju oštre točke koje mogu uzrokovati ozljede.
- Prije upotrebe uvijek provjerite ima li slomljenih, pogrešno povezanih ili istrošenih dijelova alat.
- Ne pretjerujte. Koristite samo na sigurnom radnom mjestu. Održavajte pravilan položaj i ravnotežu u svakom trenutku.



- Držite prolaznike podalje (kada radite na području gdje postoji vjerojatnost za prolaz ljudi). Jasno označite svoje radno područje.
- Nikada ne usmjeravajte alat prema sebi ili drugima.
- Ne naslanjajte prst na okidač dok podižete alat, krećete se između područja rada i položaja ili hodate, jer odmaranje prsta na okidaču može dovesti do nenamjernog okidanja. Za alate sa selektivnim okidanjem, uvijek provjerite alat prije upotrebe da biste utvrdili da je odabran pravilan način rada.
- Nosite samo rukavice koje pružaju odgovarajući osjećaj i sigurnu kontrolu okidača i bilo kakvih uređaja za podešavanje.
- Kad se ne koristi, postavite alat na ravnu površinu. Ako koristite kuku koja dolazi s alatom, čvrsto je zakačite na stabilnu površinu.
- Ne koristite alat ako ste pod utjecajem alkohola, droga ili slično.
- Nemojte koristiti alat kada se nalazite na vagi, stepenicama ili skelama, ljestvama ili ljestvama sličnim konstrukcijama, npr. krovne letve, prilikom zatvaranja kutija ili sanduka, prilikom postavljanja sigurnosnih sustava prijevoza, npr. na vozilima i vagonima.



## Opasnosti od projektila

- Alat isključite prilikom uklanjanja pričvršćivača, podešavanju, uklanjanju zastoja ili mijenjanju dodataka.
- Tijekom rada budite oprezni da pričvršćivači pravilno prodire u materijal i ne smiju se odbiti/promašiti prema korisniku i/ili bilo kojim drugim promatračima.
- Tijekom rada može se izbaciti otpad iz obratka i sustava za pričvršćivanje.
- Uvijek nosite zaštitne naočale kako biste zaštitili oči od ozljeda pri uporabi električnog alata. Naočare moraju biti u skladu s ANSI Z87.1 u SAD-u, EN 166 u Europi ili AS / NZS 1336 u Australiji / Novom Zelandu. U Australiji / Novom Zelandu zakonski je obavezno nositi zaštitni štitičnik za zaštitu lica. Odgovornost poslodavca je da korisnik alata i druge osobe u neposrednom radnom području koriste odgovarajuću sigurnosnu zaštitnu opremu.
- Rizik za druge procjenjuje korisnik alata.
- Budite oprezni s alatima kada ne dodiruju obratka jer se mogu nenamjerno aktivirati i ozlijediti korisnika i/ili promatrača.
- Pazite da je alat uvijek čvrsto pritisnut na obratka i da ne može kliziti.
- Nosite zaštitu sluha kako biste zaštitili uši od buke ispuha i zaštitili glavu. Također nosite laganu, ali ne labavu odjeću. Rukave trebate zakopčati ili namotati. Kod uporabe alata ne nositi kravate.



## Opasnosti kod rada

- Ispravno držite alat: budite spremni suprotstaviti se normalnim ili naglim pokretima, poput povratka.
- Održavajte uravnotežen položaj tijela i sigurnu podlogu.
- Koristite odgovarajuće zaštitne naočale. Preporučuje se upotreba odgovarajućih rukavica i zaštitne odjeće.
- Nosite odgovarajuću zaštitu sluha.
- Koristite ispravnu opskrbu energijom kao što je navedeno u uputama.
- Ne koristite alat na pokretnim platformama ili stražnjim

djelovima kamiona. Zbog naglog pokreta platforme može izgubiti kontrolu nad alatom što može uzrokovati ozljede.

7. Uvijek pretpostavljajte da alat sadrži pričvršćivače.
8. Ne žurite sa poslom i ne forsirajte alat. Pažljivo rukujte s alatom.
9. Pazite kde stojite i održavajte ravnotežu s alatom. Pri radu na visokim mjestima osigurajte da nema osobe ispod i osigurajte crijeva za zrak da ne dođe do naglog trzaja ili hvatanja.
10. Na krovovima i drugim visokim lokacijama koristite alat dok se krećete prema naprijed. Kod pomicanja unatrag tijekom korištenja alata, možete vrlo brzo izgubiti ravnotežu. Pri postavljanju pričvršćivača na okomitu površinu, djelujte odozgo prema dolje. Ovo će rad učiniti manje zamornim.
11. Pričvršćivač će se saviti ili će se alat zaglaviti ako slučajno pričvrstite pričvršćivač na drugi pričvršćivač ili udarite u čvor. Pričvršćivač može poletjeti nekome ili sam alat reagira opasno. Pažljivo pričvrstite pričvršćivače.
12. Napunjeni alat ili kompresor zraka ne ostavljajte pod pritiskom na suncu duže vrijeme. Pazite da alat odložite tamo gdje prašina, pijesak, čips i strane tvari ne uđu u alat.
13. Nikada ne pokušavajte istovremeno da pričvrstite pričvršćivače iznutra i izvana. Pričvršćivači se mogu odlomiti i/ili poletjeti, što predstavlja ozbiljnu opasnost.

### **Opasnosti ponavljanih pokreta**

1. Prilikom korištenja alata tijekom dužeg razdoblja rukovatelj može osjetiti nelagodu u rukama, dlanovima, vratu ili drugim dijelovima tijela.
2. Tijekom korištenja alata, operator treba zauzeti prikladno, ali ergonomsko držanje. Održavajte sigurnu podlogu i izbjegavajte neugodna ili neuravnotežena držanja.
3. Ako korisnik doživi simptome kao što su trajna ili ponavljajuća nelagoda, bol, lupanje, trnce, peckanje ili ukočenost, nemojte zanemariti ove znakove upozorenja. Korisnik treba konzultirati kvalificiranog zdravstvenog radnika.
4. Kontinuirana uporaba alata može rezultirati ponovljenim oštećenjima uslijed povratnog udarca izazvanog alatom.
5. Da bi se izbjeglo ozljeđivanje koje se ponavlja, korisnik ne smije pretjerivati ili koristiti pretjeranu silu. Pored toga, korisnik bi se trebao odmoriti kada osjeća umor.
6. Provedite procjenu rizika u vezi s opasnostima koje se ponavljaju. Treba se usredotočiti na mišično-koštane poremećaje i preferencijalno se zasnivati na pretpostavci da je smanjenje umora tijekom rada učinkovito u smanjenju poremećaja.

### **Opasnosti kod dodatne opreme i potrošnog materijala**

1. Prije zamjene dodataka, poput kontakta obratka, ili prije bilo kakvih podešavanja, isključite napajanje alata, poput zraka ili plina ili baterije.
2. Koristite samo veličine i vrste dodataka koje osigurava proizvođač.
3. Koristite samo maziva koja se preporučuju u ovom priručniku.

### **Opasnosti na radnom mjestu**

1. Poklizavanje i padovi glavni su uzroci ozljeda na

radnom mjestu. Pri korištenju alata obratite pažnju na klizave površine i rizik da posrnete preko crijeva za zrak.

2. Budite posebno oprezni u nepoznatom okruženju. Možda postoje skrivene opasnosti poput električnih ili drugih komunalnih vodova.
3. Ovaj alat nije namijenjen uporabi u potencijalno eksplozivnoj atmosferi i nije izoliran u slučaju električnog kontakta.
4. Provjerite da nema električnih kablova, plinovoda itd. koji mogu uzrokovati opasnost ako se oštete korištenjem alata.
5. Radno područje održavajte čistim i dobro osvijetljenim. Nered ili tamne prostorije mogu uzrokovati nesreće.
6. Mogu postojati lokalni propisi o buci koje se moraju poštovati održavanjem radne buke u propisanim granicama. U nekim se slučajevima mora koristiti zaštita od buke.

### **Opasnost od prašine i ispušnih plinova**

1. Uvijek provjerite okolinu. Zrak koji dolazi iz alata može ispuhati prašinu ili predmete koji mogu pogoditi korisnika i/ili prolaznike.
2. U okruženju ispunjenom prašinom pravilno usmjerite ispušni sustav kako bi se smanjilo podizanje prašine.
3. Ako se na radnom području podiže prašina ili predmeti, umanjite emisije kako biste umanjili opasnosti po zdravlje i ozljede.

### **Opasnosti od buke**

1. Nezaštićeno izlaganje visokoj razini buke može uzrokovati trajni gubitak sluha i druge probleme poput tinitusa (piskanje, zviždanje ili zujanje u ušima).
2. Izvršite procjenu opasnosti od buke u radnom području i izvršite odgovarajuće kontrole za te opasnosti.
3. Prikladna kontrola smanjenja rizika može uključivati mjere poput materijala za prigušivanje zvuka kako bi se spriječilo da izradak "zvoni".
4. Koristite odgovarajuću zaštitu sluha.
5. Upravljajte i održavajte alat kako je preporučeno u ovim uputama kako bi se spriječilo nepotrebno povećanje razine buke.
6. Poduzmite mjere za smanjenje buke, primjerice postavljanje izradaka na podlogu za prigušivanje zvuka.

### **Opasnosti od vibracija**

1. Količina vibracija tijekom rada ovisi o sili stiskanja, kontaktnoj sili tlaka, radnom smjeru, podešavanju opskrbe energijom, obratku, podlogi obratka. Provedite procjenu rizika u vezi s opasnostima od vibracija i provedite odgovarajuće kontrole za te opasnosti.
2. Izloženost vibracijama može uzrokovati oštećenje živaca i ometan protok krvi u dlanovima i rukama.
3. Nosite toplu odjeću dok radite u hladnim uvjetima, držite ruke toplim i suhim.
4. Ako osjetite ukočenost, trnce, bol ili izbjeljivanje kože na prstima ili rukama, potražite liječnički savjet od kvalificiranog zdravstvenog stručnjaka.
5. Koristite i održavajte alate kako je preporučeno u ovim uputama kako bi se spriječilo nepotrebno povećanje razine vibracija.
6. Alat držite laganim, ali sigurnim držanjem, jer je rizik od vibracija općenito veći kad je sila pranja veća.

### **Dodatna upozorenja za pneumatske alate**

1. Stisnuti zrak može prouzrokovati ozbiljne ozljede.

- Kad alat ne koristite, uvijek isključite dovod zraka i isključite alat iz dovoda zraka.
- Uvijek isključite alat iz napajanja komprimiranim zrakom prije mijenjanja dodataka, podešavanja i/ili popravka, dok prelazite iz radnog područja u drugi prostor.
- Držite prste dalje od okidača kada ne koristite alat i prelazite iz jednog radnog položaja u drugi.
- Nikada ne usmjeravajte komprimirani zrak prema vama ili bilo kome drugom.
- Cijevi izvan kontrole mogu prouzročiti ozbiljne osobne ozljede. Uvijek provjerite ima li oštećenih ili labavih cijevi ili fittinga.
- Pri nošenju nikada ne držite pneumatski alat za cijev.
- Nikada ne povlačite pneumatski alat za cijev.
- Kad koristite pneumatske alate, ne prekoračite maksimalni radni tlak.
- Priključite pneumatske alate na komprimirani zrak pod minimalnim tlakom potrebnim za radni proces da biste smanjili buku, vibracije i habanje.
- Korištenje kisika ili zapaljivih plinova za rukovanje pneumatskim alatima stvara opasnost od požara i eksplozije.
- Budite oprezni pri korištenju pneumatskih alata jer alat može postati hladan, što utječe na prijanjanje i kontrolu.



#### Dodatna upozorenja za alate s mogućnošću kontaktnog aktiviranja

- Ne držite prst na okidaču prilikom podizanja alata, kretanja između radnih područja i položaja ili hodanja, jer to može izazvati nenamjerno aktiviranje alata.
- Ako se na ovom alatu može odabrati kontaktna aktivacija ili kontinuirana kontaktna aktivacija pomoću selektora načina aktivacije ili ako je alat za kontaktnu aktivaciju ili kontinuiranu kontaktnu aktivaciju i kao takav označen simbolom sa strane, njegova je namijenjena upotreba za primjenu u ugradnji, npr. pri postavljanju paleta, namještaja, montažnih kuća, presvlaka i folija.
- Nemojte upotrebljavati ovaj alat u kontaktnoj aktivaciji za primjene kao što su zatvaranje kutija ili sanduka i postavljanje sustava za sigurnost prijevoza na prikolicе i kamione.
- Upozorenje: alat se smije upotrebljavati samo na sigurnim radnim mjestima.
- Budite oprezni pri promjeni s jedne lokacije vožnje na drugu.



#### PUNJENJE

- Uređaj odvojite od dovoda zraka. (Figure 3)
- Otpustite spremnik pritiskom na polugu za otpuštanje. (Figure 4)
- Punjenje čavlicima: Uređaj uperite prema dolje i niz čavlicu stavite u spremnik, s vrhovima prema dolje. (Figure 5) Gurajte spremnik sve dok ne klikne na mjesto. (Figure 6)
- Koristite samo preporučene spojke (pogledajte tehničke specifikacije).
- Alat i pričvršćivači navedeni u uputama za uporabu smatraju se jedinstvenim sigurnosnim sustavom.

#### UPORABA UREĐAJA

- Uređaj ne okrećite prema sebi ili drugima i spojite ga

na dovod zraka. (Figure 1)

- Uređaj će se koristiti pod najmanjim tlakom potrebnim za željenu radnju. To će smanjiti razinu buke, habanje dijelova i uporabu energije.
- Nos uređaja pritisnite na radni materijal koji se treba pričvrstiti te pritisnite okidač da biste ispalili spojku(e). (Figure 7)  
Podesite min. tlak potreban za prodiranje spojki. Zatim obavite probno spajanje koristeći najniži tlak.
- Provjerite je li pričvršćivač pričvršćen na obratka prema potrebi.
  - ako pričvršćivač strši iz obratka, povećajte tlak zraka u koracima od 0,5 bara i provjerite rezultat nakon svakog novog podešavanja;
  - ako je pričvršćivač pričvršćen previše duboko u obratka smanjite tlak zraka u koracima od 0,5 bara, sve dok rezultat ne bude zadovoljavajući.
- U svakom slučaju, trebali biste nastojati da tlak zraka bude što niži.
- Za vrijeme rada držite alat na takav način, da ne može doći do oštećenja glave ili tijela u slučaju povratnog udara kao posljedice neispravnog napajanja ili tvrdih dijelova obratka.
- Pri kretanju alat treba odvojiti od sustava komprimiranog zraka, posebno tamo gdje se koriste ljestve ili gdje se za vrijeme kretanja zauzima neobičajeno fizičko držanje.
- Pri nošenju na radnom mjestu držite alat za pričvršćivanje samo za ručicu i nikada sa aktiviranim okidačem.
- Uzmite u obzir uvjete na radnom mjestu. Pričvršćivači mogu probiti tanke obratke ili skliznuti s kutova i rubova obratka i na taj način dovesti ljude u opasnost.
- Za osobnu sigurnost koristite zaštitnu opremu kao što su zaštita sluha i očiju.
- Okidač i sigurnosni jaram moraju se aktivirati za svako spajanje, a redoslijed aktiviranja nije određen. Za višestruko aktiviranje dovoljno je ako ili okidač ostane uključen i sigurnosni jaram se aktiviran nakon toga, ili obrnuto.
- Izbjegavajte okidanje alata ako je spremnik prazan.
- Svaki neispravan ili nepravilno funkcionalan alat mora se odmah isključiti iz dovoda komprimiranog zraka i prosljediti stručnjaku na pregled.
- U slučaju duljih prekida rada ili na kraju radne smjene, isključite alat iz dovoda komprimiranog zraka i preporučuje se isprazniti spremnik.
- Konektori komprimiranog zraka alata i crijeva trebaju biti zaštićeni od onečišćenja. Prodiranje grube prašine, čipsa, pijeska itd. rezultat će propuštanjem i oštećenjem alata i spojnica.

#### SUSTAV KOMPRIMIRANOG ZRAKA

- Da bi alat za pričvršćivanje pravilno funkcionirao, potreban je filtrirani, suhi i < podmazani > komprimirani zrak u odgovarajućim količinama. (Figure 11)
- Ako tlak zraka u cjevovodu premašuje najveći dopušteni tlak alata za pričvršćivanje, u dovodnom vodu do alata dodatno se postavlja ventil za smanjenje tlaka, a zatim sigurnosni ventil.
- Pomoću odgovarajućeg tlačnog crijeva opremljenog priključcima za brzo djelovanje priključite alat za pričvršćivanje na dovod komprimiranog zraka. (Figure 1)

4. Ποstrojenje kompresora mora biti adekvatno dimenzionirano s obzirom na izlaz tlaka i performanse (volumetrijski protok) za potrošnju koja se očekuje. Presjeci vodova koji su premali u odnosu na duljinu vodova (cijevi i crijeva), kao i preopterećenje kompresora, rezultat će padovima tlaka.
5. Trajno postavljene cijevovodi za komprimirani zrak trebaju imati unutarnji promjer od najmanje 19 mm ili odgovarajući veliki promjer gdje su uključeni relativno dugi cijevovodi ili više korisnika.
6. Cijevi za komprimirani zrak trebaju se postaviti tako da formiraju nagib (najviša točka u smjeru prema kompresoru). Lako dostupni separatori vode trebaju biti instalirani na najnižim točkama.
7. Priključci za korisnike trebali bi se spajati na cijevovode odozgo.
8. Spojne točke za alate za pričvršćivanje moraju biti opremljene jedinicom za servisiranje komprimiranog zraka (filter / separator vode / ulje) izravno na mjestu spajanja.
9. Razinu ulja svakodnevno treba provjeravati i po potrebi dopuniti preporučenom vrstom ulja (vidi TEHNIČKI PODACI). Ako se koriste duljine crijeva veće od 10 m, ne može se zajamčiti dovod ulja za alat za pričvršćivanje. Stoga preporučujemo da se 2 do 5 kapi (ovisno o opterećenju alata za pričvršćivanje) preporučenog ulja (vidi TEHNIČKI PODACI) dodaju kroz otvor za zrak na alatu ili u jedinicu za podmazivanje pričvršćenu izravno na alat za pričvršćivanje.

#### RJEŠAVANJE PROBLEMA I ODRŽAVANJE

1. Ako su se spojke zaglavile, uređaj odvojite od dovoda zraka. **(Figure 3)**
2. Otpustite spremnik i šine povucite prema natrag. **(Figure 8)** Izvadite zaglavljene spojke.
3. Ili otpustite dva vijka na prednjoj strani i izvucite ga van. **(Figure 9)** Uklonite zaglavljenu projektil. **(Figure 10)** Vratite prednju stranu i zategnite vijke.

#### ODRŽAVANJE:

1. Kada je uređaj odvojen od dovoda zraka, svakodnevno ga provjeravajte kako biste se uvjerali u slobodan rad sigurnosnog obruča i okidača.
2. Svi vijci bi trebali biti čvrsto zavijeni. **(Figure 2)** Labavi vijci znače nesiguran rad i mogu dovesti do oštećenja dijelova. 2 ili 3 kapljice ulja stavite u otvor za dovod zraka.
3. Koristite samo ulje preporučeno u tehničkim specifikacijama. Uređaj održavajte čistim. Redovno ga čistite suhom krpom te ga provjeravajte za znakove habanja. S vremena na vrijeme podmažite mehanizam za klizanje spremnika kako bi se onemogućilo habanje.
4. Ne koristite zapaljiva sredstva za čišćenje. Ne namačite uređaj i ne koristite otapala, jer bi to moglo oštetiti O-prstenje i druge osjetljive dijelove uređaja. Koristite čist, suh zrak. Po mogućnosti koristite pogon za stlačeni zrak koji se nalazi uz struju u odnosu na uređaj. Popravke osim onih navedenih u ovim uputama trebaju izvoditi samo obučene, kvalificirane osobe ili servisno osoblje proizvođača.

#### POPIS REZERVNIH DIJELOVA

Pridržavajte se lokalnih propisa prilikom odlaganja alata na otpad.

#### PMP171 Popis rezervnih dijelova (Figure 12)

Indeks	Šifra	Opis
A	5001346	Glavni ventili, cilindar i komplet klipova
B	5001347	Sigurnosni komplet i komplet okidača
C	5001348	Komplet magazina

## ΠΝΕΥΜΑΤΙΚΟ ΚΑΡΦΩΤΙΚΟ PMP171

Οδηγίες λειτουργίας - μετάφραση του πρωτοτύπου

GR

#### ΤΕΧΝΙΚΕΣ ΠΡΟΔΙΑΓΡΑΦΕΣ

Μέγεθος εργαλείου:	Ύψος	190 mm
	Μήκος	230 mm
	Πλάτος	48 mm
	Βάρος χωρίς καρφί	0,95 kg
	Βάρος με βαρύτερα καρφιά	0,96 kg
Είσοδος αέρα	1/4"	
Επιλογέας λειτουργίας	8 bar	
Πίεση λειτουργίας	Ελάχιστη	5 bar
	Μέγιστη	7 bar
Επιλογέας λειτουργίας	ενεργοποίηση επαφής	
Συνιστώμενοι συνδέτες	Rapid 23P: 15 -> 35 mm	
Διαστάσεις καρφιού	Ø0,64mm - 23Ga	

Χωρητικότητα φόρτωσης	150	
Συνιστώμενο πνευματικό λάδι	Υδραυλικό λάδι ISO 46 ή ισοδύναμο	
Στοιχεία θορύβου: (EN 12549:1999)	LpA, 1s, d	70,9 dB
	αβεβαιότητα	2,5 dB
	LwA, 1s, d	83,9 dB
	αβεβαιότητα	2,5 dB
	LpC, κορυφή	109 dB
	αβεβαιότητα	2,5 dB

Οι τιμές αυτές είναι χαρακτηριστικές τιμές που αφορούν εργαλεία και δεν αντιπροσωπεύουν την παραγωγή θορύβου κατά το σημείο της χρήσης. Ο θόρυβος κατά το σημείο της χρήσης εξαρτάται, για παράδειγμα, από το περιβάλλον εργασίας, το τεμάχιο εργασίας, το στήριγμα του επεξεργαζόμενου τεμαχίου και τον αριθμό των

κινήσεων εφαρμογής. Επίσης, ο σχεδιασμός του χώρου εργασίας μπορεί να συμβάλει στη μείωση των επιπέδων θορύβου, για παράδειγμα, τοποθέτηση του τεμαχίου εργασίας σε στρίγματα απόσβεσης θορύβου.

<b>Στοιχεία κραδασμών (ISO 8662-11:1999)</b>	<b>Κραδασμοί</b>	<b>2,24 m/s<sup>2</sup></b>
	<b>αβεβαιότητα</b>	<b>0,332 m/s<sup>2</sup></b>

Η τιμή αυτή είναι μια χαρακτηριστική τιμή που αφορά εργαλεία και δεν αντιπροσωπεύει την επίδραση στο σύστημα του βραχίονα χειρός κατά τη χρήση του εργαλείου. Οποιαδήποτε επίδραση στο σύστημα του βραχίονα χειρός κατά τη χρήση του εργαλείου εξαρτάται, για παράδειγμα, από τη δύναμη της λαβής, τη δύναμη στην πίεση επαφής, την κατεύθυνση εργασίας, τη ρύθμιση της τροφοδοσίας ενέργειας, το υπό επεξεργασία τεμάχιο και το στρίγμα του τεμαχίου εργασίας.

## ΣΥΜΒΟΛΑ

Παρακάτω παρουσιάζονται τα σύμβολα που χρησιμοποιούνται για τον εξοπλισμό. Βεβαιωθείτε ότι κατανοείτε τη σημασία τους πριν από τη χρήση.



Διαβάστε και κατανοήστε τις ετικέτες των εργαλείων και το εγχειρίδιο. Η μη τήρηση των προειδοποιήσεων μπορεί να προκαλέσει σοβαρό τραυματισμό.



Οι χειριστές και οι υπόλοιποι στην περιοχή εργασίας πρέπει να φορούν προστατευτικά ματιών ανθεκτικά στην πίεση με πλαινή προστασία.



Οι χειριστές και οι υπόλοιποι στην περιοχή εργασίας πρέπει να φορούν προστασία ακοής.



Το εργαλείο έχει την ικανότητα να λειτουργεί σε λειτουργία ενεργοποίησης επαφής



Μην χρησιμοποιείτε το εργαλείο όταν βρίσκεστε σε ζυγαριά, σκάλες ή σκαλωσιές ή κατασκευές παρόμοιες με σκάλα, π.χ. τα πηγάκια οροφής, κατά το κλείσιμο κιβωτίων, κατά την τοποθέτηση συστημάτων ασφαλείας μεταφοράς π.χ. σε οχήματα και φορτάμαξες.



Ποτέ μην χρησιμοποιείτε οξυγόνο, διοξείδιο του άνθρακα ή οποιοδήποτε άλλο εμφυαλωμένο αέριο, όπως μια πηγή ισχύος για αυτό το εργαλείο.

## ΓΕΝΙΚΕΣ ΠΡΟΕΙΔΟΠΟΙΗΣΕΙΣ ΑΣΦΑΛΕΙΑΣ

1. Για προσωπική ασφάλεια και σωστή λειτουργία και συντήρηση του εργαλείου, διαβάστε αυτό το εγχειρίδιο οδηγιών πριν χρησιμοποιήσετε το εργαλείο.



2. Αποθηκεύστε όλες τις προειδοποιήσεις και τις οδηγίες για μελλοντική αναφορά.
3. Το εργαλείο προορίζεται μόνο για επαγγελματική χρήση. Μην το χρησιμοποιείτε για άλλους σκοπούς. Δεν έχει σχεδιαστεί για να οδηγεί τους συνδέσμους απευθείας σε σκληρή επιφάνεια όπως ασφάλι και ταίμεντο.
4. Ο χρήστης θα πρέπει να αξιολογήσει τους συγκεκριμένους κινδύνους που υπάρχουν ως αποτέλεσμα κάθε χρήσης.
5. Απαγορεύεται οποιαδήποτε άλλη χρήση αυτού του εργαλείου εκτός από την προοριζόμενη. Τα εργαλεία καρφώματος συνδετήρων με συνεχόμενη ενεργοποίηση επαφής ή ενεργοποίηση επαφής θα πρέπει να χρησιμοποιούνται μόνο για εφαρμογές παραγωγής.
6. Κρατήστε τα δάκτυλά σας μακριά από τη σκανδάλη όταν δεν θέτετε αυτό το εργαλείο σε λειτουργία και όταν το μετακινείτε από τη μία θέση λειτουργίας σε άλλη.
7. Πολλαπλοί κίνδυνοι. Διαβάστε και κατανοήστε τις οδηγίες ασφάλειας πριν συνδέσετε, αποσυνδέσετε, φορτώσετε, θέσετε σε λειτουργία, συντηρήσετε, αλλάξετε εξαρτήματα ή εργαζέστε κοντά στο εργαλείο. Αν δεν το κάνετε αυτό, μπορεί να έχει ως αποτέλεσμα σοβαρό σωματικό τραυματισμό.
8. Κρατήστε όλα τα μέρη του σώματός σας, όπως χέρια και πόδια, κτλ. μακριά από την κατεύθυνση πυροδότησης και φροντίστε ο συνδετήρας να μην μπορεί να διεισδύσει το τεμάχιο εργασίας σε μέρη του σώματος.
9. Όταν χρησιμοποιείτε το εργαλείο, να γνωρίζετε ότι ο συνδετήρας μπορεί να εκτραπεί και να προκαλέσει τραυματισμό.
10. Κρατήστε το εργαλείο πολύ καλά και προετοιμαστείτε να διαχειριστείτε την ανατίληξη.
11. Μόνο τεχνικά ειδικευμένοι χειριστές θα πρέπει να χρησιμοποιούν το εργαλείο καρφώματος συνδετήρων.
12. Μην τροποποιείτε το εργαλείο καρφώματος συνδετήρα. Οι τροποποιήσεις μπορεί να μειώσουν την αποτελεσματικότητά των μέτρων ασφαλείας και να αυξήσουν τους κινδύνους για τον χειριστή ή/και τους παρευρισκόμενους.
13. Μην απορρίψετε το εγχειρίδιο οδηγιών.
14. Μην χρησιμοποιήσετε ένα εργαλείο αν το εργαλείο παρουσιάζει ζημιά.
15. Προσέχετε όταν χειρίζεστε συνδετήρες, ιδιαίτερα όταν τους φορτώνετε και εκφορτώνετε, επειδή οι συνδετήρες έχουν αιχμηρές μύτες που μπορούν να προκαλέσουν τραυματισμό.
16. Πριν από τη χρήση, να ελέγχετε πάντα το εργαλείο για σπασμένα, λανθασμένα συνδεδεμένα ή φθαρμένα εξαρτήματα.
17. Μην τεντώνετε υπερβολικά. Χρησιμοποιήστε μόνο σε ασφαλή χώρο εργασίας. Κρατάτε πάντα σταθερό πάτημα και την ισορροπία σας.
18. Κρατάτε τους παρευρισκόμενους μακριά (όταν εργαζόμαστε σε μια περιοχή όπου υπάρχει η πιθανότητα να περνούν άνθρωποι από εκεί). Επισημάνετε με σαφήνεια ότι απαγορεύεται η είσοδος στην περιοχή εργασίας σας.
19. Μη στρέφετε ποτέ το εργαλείο προς το μέρος σας ή προς οποιοδήποτε άλλο άτομο.
20. Μην ακουμπάτε το δάκτυλό σας στη σκανδάλη όταν

σηκώνετε το εργαλείο, το μετακινείτε μεταξύ περιοχών ή θέσεων λειτουργίας ή όταν περπατάτε, επειδή ένα δάκτυλο που ακουμπάει στη σκανδάλη μπορεί να οδηγήσει σε αθέλητη λειτουργία. Για εργαλεία με επιλεκτική ενεργοποίηση, να ελέγχετε πάντα το εργαλείο πριν από τη χρήση, για να σιγουρευτείτε ότι επλέχτηκε ο σωστός τρόπος λειτουργίας.

21. Να φοράτε μόνο γάντια που παρέχουν επαρκή αίσθηση, ασφάλεια και έλεγχο της σκανδάλης και οπισωδότης ρυθμιστικών διατάξεων.
22. Όταν δεν χρησιμοποιείτε το εργαλείο, τοποθετήστε το σε μια επίπεδη επιφάνεια. Αν χρησιμοποιήσετε το γάντι που υπάρχει στο εργαλείο, να γαντζώσετε το εργαλείο με ασφάλεια σε μια σταθερή επιφάνεια.
23. Μην το χρησιμοποιείτε όταν βρίσκεστε υπό την επήρεια αλκοόλ, φαρμάκων ή παρόμοιων ουσιών.
24. Μην χρησιμοποιείτε το εργαλείο όταν βρίσκεστε σε ζυγαριά, σκάλες ή σκαλωσιές ή κατασκευές παρόμοιες με σκάλα, π.χ. τα πηχάκια οροφής, κατά το κλείσιμο κιβωτίων, κατά την τοποθέτηση συστημάτων ασφαλείας μεταφοράς π.χ. σε οχήματα και φορτάμια.



### Κίνδυνοι εκτόξευσης

1. Το εργαλείο καρφώματος συνδετήρων θα πρέπει να είναι αποσυνδεδεμένο κατά την εκφόρτωση συνδετήρων, την πραγματοποίηση ρυθμίσεων, την εκκαθάριση εμπλοκών ή την αλλαγή εξαρτημάτων.
2. Κατά τη διάρκεια της λειτουργίας, να προσέχετε ώστε οι συνδετήρες να διεισδύουν το υλικό σωστά και να μην μπορούν να εκτραπούν/πυροδοτηθούν λανθασμένα προς το χειριστή ή/και τους παρευρισκόμενους.
3. Κατά τη διάρκεια της λειτουργίας, μπορεί να εκκενωθούν αέρια από το τεμάχιο εργασίας και το σύστημα καρφώματος/συρραφής.
4. Να φοράτε πάντα προστατευτικά γυαλιά για να προστατεύετε τα μάτια σας από τραυματόμο όταν χρησιμοποιείτε ηλεκτρικά εργαλεία. Τα προστατευτικά γυαλιά πρέπει να συμμορφώνονται με το πρότυπο ANSI Z87.1 στις ΗΠΑ, το πρότυπο EN 166 στην Ευρώπη ή το πρότυπο AS/NZS 1336 στην Αυστραλία/Νέα Ζηλανδία. Στην Αυστραλία/Νέα Ζηλανδία, απαιτείται από το νόμο να φοράτε και προστασία για την προστασία του προσώπου σας. Ο εργοδότης έχει την ευθύνη να επιβάλλει τη χρήση κατάλληλου προστατευτικού εξοπλισμού ασφαλείας από τους χειριστές του εργαλείου και από άλλα άτομα που βρίσκονται στην άμεση περιοχή εργασίας.
5. Ο χειριστής θα πρέπει να αξιολογήσει τους κινδύνους για άλλους.
6. Προσέχετε με εργαλεία που δεν έχουν επαφή με το τεμάχιο εργασίας επειδή μπορεί να πυροδοτηθούν κατά λάθος και να τραυματίσουν τον χειριστή ή/και τους παρευρισκόμενους.
7. Βεβαιωθείτε ότι το εργαλείο είναι πάντα δεσμευμένο με ασφάλεια στο τεμάχιο εργασίας και δεν μπορεί να γλιστρήσει.
8. Φοράτε προστατευτικά ακοής για να προστατεύετε τα αυτιά σας από το θόρυβο του αέρα εξαγωγής, καθώς και προστατευτικό κεφαλής. Φοράτε επίσης ελαφριά, αλλά όχι φαρδιά ρούχα. Τα μανίκια θα πρέπει να είναι κομψωμένα ή γυρισμένα προς τα πάνω. Μην φοράτε γραβάτα.



### Κίνδυνοι λειτουργίας

1. Κρατήστε το εργαλείο σωστά: ετοιμαστείτε να αντιδράσετε στις φυσιολογικές ή αιφνίδιες κινήσεις όπως η ανατυλίξη.
2. Διατηρήστε μια ισορροπημένη θέση σώματος και ασφαλές πάτημα.
3. Θα πρέπει να χρησιμοποιείτε κατάλληλα γυαλιά ασφαλείας και συνιστώνται κατάλληλα γάντια και προστατευτικός ρουχισμός.
4. Θα πρέπει να φοράτε κατάλληλη προστασία της ακοής.
5. Να χρησιμοποιείτε τη σωστή ενεργειακή παροχή, όπως υποδεικνύεται στο εγχειρίδιο οδηγιών.
6. Μην χρησιμοποιήσετε το εργαλείο σε κινούμενες πλατφόρμες ή το πίσω μέρος φορτηγών. Με την αιφνίδια κίνηση της πλατφόρμας, μπορεί να χαθεί ο έλεγχος του εργαλείου και να προκληθεί τραυματισμός.
7. Να θεωρείτε πάντοτε ότι το εργαλείο περιέχει συνδετήρες.
8. Μην εκτελείτε βιαστικά την εργασία και μην πιέζετε υπερβολικά το εργαλείο. Χειρίζεστε το εργαλείο προσεκτικά.
9. Κατά το χειρισμό του εργαλείου, προσέχετε πού πατάτε και φροντίστε να διατηρείτε την ισορροπία σας. Βεβαιωθείτε ότι δεν βρίσκεται κανένας από κάτω όταν εργάζεστε σε ύψος και ασφαλίστε τον εύκαμπτο σωλήνα αέρα για να προφυλαχτείτε από τον κίνδυνο σε περίπτωση που ο σωλήνας πναχτεί απότομα ή πίστει από κάπου.
10. Σε στέγες και άλλες τοποθεσίες σε ύψος, βιδώνετε τους συνδετήρες καθώς μετακινείστε προς τα εμπρός. Είναι εύκολο να παραπατήσετε αν βιδώνετε τους συνδετήρες κάνοντας μικρά βήματα προς τα πίσω. Κατά το βιδώμα συνδετήρων σε κατακόρυφη επιφάνεια, εργάζεστε από πάνω προς τα κάτω. Με αυτόν τον τρόπο, το βιδώμα γίνεται λιγότερο κουραστικό.
11. Αν βιδώσετε κατά λάθος έναν συνδετήρα πάνω σε έναν άλλο ή αν χτυπήσετε κάποιο ρόζο στο ξύλο, ο συνδετήρας μπορεί να στραβώσει ή το εργαλείο να πάθει εμπλοκή. Ο συνδετήρας μπορεί να πναχτεί και να χτυπήσει κάποιον ή το ίδιο το εργαλείο να αντιδράσει επικίνδυνα. Τοποθετείτε τους συνδετήρες με προσοχή.
12. Μην αφήνετε το γεμάτο εργαλείο ή το συμπιεστή αέρα υπό πίεση για μεγάλο χρονικό διάστημα έξω στον ήλιο. Βεβαιωθείτε ότι δεν θα εισέλθει σκόνη, άμμος, θραύσματα και ξένα σώματα στο εργαλείο στο μέρος όπου το αφήνετε.
13. Μην επιχειρείτε ποτέ να βιδώσετε συνδετήρες από μέσο και από έξω ταυτόχρονα. Οι συνδετήρες μπορεί να σχίσουν το εσωτερικό και/ή να πεταχτούν προς τα έξω και να διατρέξετε σοβαρό κίνδυνο.

### Κίνδυνοι επαναληπμένων κινήσεων

1. Κατά τη χρήση ενός εργαλείου για μεγάλη χρονική περίοδο, ένας χειριστής μπορεί να βιώσει δυσφορία στα χέρια, τους βραχίονες, τους ώμους, τον αυχένα και άλλα μέρη του σώματός του.
2. Ενώ χρησιμοποιεί ένα εργαλείο, ο χειριστής θα πρέπει να υποθετήσει μια κατάλληλη και εργονομική στάση. Διατηρήστε ασφαλές πάτημα και αποφύγετε τις αδύσεις και ανισόρροπες στάσεις.
3. Αν ο χειριστής βιώσει συμπτώματα όπως επίμονη και επαναλαμβανόμενη δυσφορία, πόνο, κτύπο,

- άλγος, μυρμηγκίασμα, μούδιασμα, αίσθηση καύσου ή ακαμψία, δεν πρέπει να αγνοήσει αυτά τα προειδοποιητικά σημάδια. Ο χειριστής πρέπει να συμβουλευτεί έναν αρμόδιο επαγγελματία στο χώρο της υγείας, για τις συνολικές δραστηριότητές του.
4. Η συνεχόμενη χρήση του εργαλείου μπορεί να προκαλέσει κακώσεις λόγω επαναλαμβανόμενης καταπόνησης που οφείλονται στην ανατύλιξη που παράγει το εργαλείο.
  5. Για να αποφευχθεί ο τραυματισμός λόγω επαναλαμβανόμενης καταπόνησης, ο χειριστής δεν πρέπει να τεντώνεται υπερβολικά ή να χρησιμοποιεί υπερβολική δύναμη. Επιπλέον, ο χειριστής θα πρέπει να ξεκουράζεται όταν νιώθει κουρασμένος.
  6. Διεξαγάγετε αξιολόγηση κινδύνων σχετικά με τους κινδύνους της επαναλαμβανόμενης κίνησης. Θα πρέπει να επικεντρωθεί σε μυοσκελετικές διαταραχές και, κατά προτίμηση, να βασίζεται στην υπόθεση ότι η μείωση κώπωσης κατά τη διάρκεια της εργασίας είναι αποτελεσματική στη μείωση των διαταραχών.

### **Κίνδυνοι με τα εξαρτήματα και αναλώσιμα**

1. Αποσυνδέστε την ενεργειακή παροχή προς το εργαλείο, όπως αέρα ή αέριο ή μπαταρία, όπως εφαρμόζεται, πριν αλλάξετε/αντικαταστήσετε εξαρτήματα όπως την επαφή τεμαχίου εργασίας ή πραγματοποιήσετε οποιαδήποτε ρύθμιση.
2. Να χρησιμοποιείτε μόνο τα μεγέθη και τύπους των εξαρτημάτων που παρέχονται από τον κατασκευαστή.
3. Να χρησιμοποιείτε μόνο λιπαντικά που συνιστώνται σε αυτό το εγχειρίδιο.

### **Κίνδυνοι στο χώρο εργασίας**

1. Το γλιστρήμα, το σκόνταμμα και οι πτώσεις είναι οι κύριες αιτίες για τραυματισμό στο χώρο εργασίας. Προσέχετε για ολισθηρές επιφάνειες που δημιουργούνται από τη χρήση του εργαλείου και επίσης για κινδύνους ολίσθησης που προκαλούνται από τον εύκαμπτο σωλήνα της γραμμής αέρα.
2. Σε άγνωστο περιβάλλον, να προχωράτε με περισσότερη προσοχή. Μπορεί να υπάρχουν κρυφοί κίνδυνοι, όπως ηλεκτρικές γραμμές ή γραμμές άλλων παροχών.
3. Αυτό το εργαλείο δεν προορίζεται για χρήση σε δυνητικώς εκρηκτικές ατμόσφαιρες και δεν είναι μονωμένο για την περίπτωση επαφής με ηλεκτρικό ρεύμα.
4. Βεβαιωθείτε ότι δεν υπάρχουν ηλεκτρικά καλώδια, σωλήνες αερίου, κτλ. που θα μπορούσαν να προκαλέσουν κίνδυνο στην περίπτωση που υποστούν ζημιά από τη χρήση του εργαλείου.
5. Διατηρείτε την περιοχή εργασίας καθαρή και επαρκώς φωτισμένη. Οι ακατάστατοι ή σκοτεινοί χώροι προσελκύουν τα ατυχήματα.
6. Πιθανώς να υφίστανται τοπικοί κανονισμοί αναφορικά με το θόρυβο, με τους οποίους και θα πρέπει να συμμορφώνεστε διατηρώντας τη στάθμη θορύβου εντός των προδιαγεγραμμένων ορίων. Σε ορισμένες περιπτώσεις, θα πρέπει να χρησιμοποιούνται πετάσματα για τον περιορισμό του θορύβου.

### **Κίνδυνοι σκόνης και εξάτμισης**

1. Να ελέγχετε πάντα το περιβάλλον σας. Ο αέρας που εξέρχεται από το εργαλείο μπορεί να φυσήσει σκόνη ή αντικείμενα και να χτυπήσουν τον χειριστή ή/και τους παραεπισκόμενους.
2. Κατευθύνετε την εξάτμιση με τρόπο ώστε να

ελαχιστοποιηθεί η διατάραξη της σκόνης σε ένα περιβάλλον με πολλή σκόνη.

3. Αν εκλύεται σκόνη ή αντικείμενα στην περιοχή εργασίας, μειώστε την εκπομπή όσο το δυνατό περισσότερο, για να μειωθούν οι κίνδυνοι υγείας καθώς και ο κίνδυνος τραυματισμού.

### **Κίνδυνοι θορύβου**

1. Η απροστάτευτη έκθεση σε υψηλά επίπεδα θορύβου μπορεί να προκαλέσει μόνιμη απώλεια ακοής και άλλα προβλήματα (όπως εμβοή (κουδούνισμα, βούισμα, σφύριγμα ή φύσημα στα αυτιά).
2. Διεξαγάγετε αξιολόγηση κινδύνων σχετικά με τους κινδύνους θορύβου στην περιοχή εργασίας και υλοποιήστε τους κατάλληλους ελέγχους για αυτούς τους κινδύνους.
3. Οι κατάλληλοι έλεγχοι για τη μείωση του κινδύνου μπορεί να περιλαμβάνουν ενέργειες όπως την απόσβεση υλικών ώστε να αποτραπεί το «κουδούνισμα» των τεμαχίων εργασίας.
4. Να χρησιμοποιείτε κατάλληλη προστασία ακοής.
5. Χρησιμοποιήστε και συντηρήστε το εργαλείο όπως συνιστάται στις παρούσες οδηγίες, για να αποτραπεί η περιττή αύξηση των επιπέδων θορύβου.
6. Λάβετε μέτρα για τη μείωση του θορύβου, για παράδειγμα την τοποθέτηση των τεμαχίων εργασίας σε στηρίγματα απόσβεσης θορύβου.

### **Κίνδυνοι δόνησης**

1. Η εκπομπή δονήσεων κατά τη λειτουργία εξαρτάται από τη δύναμη κρατήματος, την πίεση επαφής, την κατεύθυνση εργασίας, τη ρύθμιση της ενεργειακής παροχής, το τεμάχιο εργασίας και τη στήριξη του τεμαχίου εργασίας. Διεξαγάγετε αξιολόγηση κινδύνων σχετικά με τους κινδύνους δονήσεων και υλοποιήστε τους κατάλληλους ελέγχους για αυτούς τους κινδύνους.
2. Η έκθεση στη δόνηση μπορεί να προκαλέσει ζημιά στα νεύρα και τη παροχή αίματος στα χέρια και βραχίονες.
3. Να φοράτε ζεστά ρούχα όταν εργάζεστε σε κρύες συνθήκες, να διατηρείτε τα χέρια σας ζεστά και στεγνά.
4. Αν βιώσετε μούδιασμα, μυρμηγκίασμα, πόνο ή λεύκανση στο δέρμα των δακτύλων ή των χεριών σας, αναζητήστε ιατρική συμβουλή από αρμόδιο επαγγελματία στο χώρο της υγείας, αναφορικά με τις συνολικές δραστηριότητές.
5. Χρησιμοποιήστε και συντηρήστε το εργαλείο όπως συνιστάται στις παρούσες οδηγίες, για να αποτραπεί η περιττή αύξηση των επιπέδων δόνησης.
6. Να κρατάτε το εργαλείο ελαφρά, αλλά με ασφάλεια, επειδή ο κίνδυνος από τη δόνηση είναι γενικά μεγαλύτερος όταν η δύναμη κρατήματος είναι υψηλότερη.

### **Πρόσθετες προειδοποιήσεις για πνευματικά εργαλεία**

1. Ο πεπιεσμένος αέρας μπορεί να προκαλέσει σοβαρό τραυματισμό.
2. Να διακόπτετε πάντα την παροχή αέρα και να αποσυνδέετε το εργαλείο από την παροχή αέρα όταν δεν χρησιμοποιείται.
3. Να αποσυνδέετε πάντα το εργαλείο από την παροχή πεπιεσμένου αέρα πριν αλλάξετε εξαρτήματα, πραγματοποιείτε ρυθμίσεις ή/και επισκευές, όταν μετακινείτε από μια περιοχή λειτουργίας σε

- διαφορετική περιοχή.
- Κρατήστε τα δάκτυλά σας μακριά από τη σκανδάλη όταν δεν θέτετε το εργαλείο σε λειτουργία και όταν το μετακινείτε από τη μία θέση λειτουργίας σε άλλη.
  - Μην στρέφετε ποτέ τον πεπιεσμένο αέρα προς το μέρος σας ή προς οποιοδήποτε άλλο άτομο.
  - Οι εύκαμπτοι σωλήνες που βρίσκονται εκτός ελέγχου μπορούν να προκαλέσει σοβαρό τραυματισμό. Να ελέγχετε πάντα για κατεστραμμένους ή χαλαρούς εύκαμπτους σωλήνες ή ενώσεις.
  - Μην κρατάτε ποτέ ένα πνευματικό εργαλείο από τον εύκαμπτο σωλήνα.
  - Μην σύρετε ποτέ ένα πνευματικό εργαλείο από τον εύκαμπτο σωλήνα.
  - Όταν χρησιμοποιείτε πνευματικά εργαλεία, μην ξεπερνάτε τη μέγιστη πίεση λειτουργίας (ps max).
  - Τα πνευματικά εργαλεία θα πρέπει να τροφοδοτούνται μόνο με πεπιεσμένο αέρα στη χαμηλότερη πίεση που απαιτείται για την εργασία, προκειμένου να μειωθεί ο θόρυβος και η δόνηση και να ελαχιστοποιηθεί η φθορά.
  - Η χρήση οξυγόνου ή καυσιμων αερίων για τη λειτουργία πνευματικών εργαλείων δημιουργεί κίνδυνο πυρκαγιάς και έκρηξης.
  - Προσέχετε όταν χρησιμοποιείτε πνευματικά εργαλεία επειδή το εργαλείο μπορεί να γίνει κρύο, επηρεάζοντας το κράτημα και τον έλεγχο.



### Πρόσθετες προειδοποιήσεις για εργαλεία με δυνατότητα ενεργοποίησης επαφής

- Μην ακουμπάτε το δάκτυλό σας στη σκανδάλη όταν σηκώνετε το εργαλείο, το μετακινείτε μεταξύ περιοχών ή θέσεων λειτουργίας ή όταν περπατάτε, επειδή ένα δάκτυλο που ακουμπάει στη σκανδάλη μπορεί να οδηγήσει σε αθέλητη λειτουργία.
- Αυτό το εργαλείο έχει είτε επιλεκτική ενεργοποίηση για ενεργοποίηση επαφής ή συνεχόμενη ενεργοποίηση επαφής με επιλογείς τρόπο ενεργοποίησης ή είναι ένα εργαλείο με ενεργοποίηση επαφής ή συνεχόμενη ενεργοποίηση επαφής και έχει επισυμνηθεί με το ανωτέρω σύμβολο. Οι προοριζόμενες χρήσεις του είναι οι εφαρμογές παραγωγής, όπως παλέτες, έπιπλα, προκατασκευασμένα στίπια, επενδύσεις και περιβλήματα.
- Μη χρησιμοποιείτε αυτό το εργαλείο σε ενεργοποίηση επαφής για εφαρμογές όπως το κλείσιμο κουτιών ή κιβωτίων και τη στερέωση συστημάτων ασφαλούς μεταφοράς σε τρέιλερ ή φορτηγά.
- Προειδοποίηση ότι το εργαλείο πρέπει να χρησιμοποιείται μόνο σε ασφαλή σημεία εργασίας.
- Προσέχετε όταν αλλάζετε από τη μία τοποθεσία καρφώματος στην άλλη.



### ΦΩΡΤΩΣΗ

- Αποσυνδέστε το εργαλείο από την παροχή αέρα. (Figure 3)
- Ελευθερώστε τη δεσμίδα, πιέζοντας το μοχλό ασφάλισης (κλικ). (Figure 4)
- Φόρτωση καρφίων: Κρατήστε το πιστόλι για τα καρφάκια προς τα κάτω και φορτώστε μια γραμμή από καρφάκια στο φυσίγγιο, με τις αιχμές να βλέπουν προς τα κάτω. (Figure 5) Ωθήστε τη ράγα, μέχρι να ασφαλίσει με κλικ στη θέση της. (Figure

6)

- Χρησιμοποιήστε μόνο συσπώμενους συνδέτες (βλέπε τεχνικές προδιαγραφές).
- Το εργαλείο και οι συνδετήρες που καθορίζονται στις οδηγίες λειτουργίας πρέπει να θεωρούνται ως ένα σύστημα ασφαλείας μονάδας.

### ΧΡΗΣΗ ΕΡΓΑΛΕΙΟΥ

- Κρατήστε το εργαλείο στραμμένο μακριά από τον εαυτό σας και τους άλλους και συνδέστε το εργαλείο στην παροχή αέρα. (Figure 1)
- Τα εργαλεία πρέπει να λειτουργούν στη χαμηλότερη πίεση που απαιτείται για την εφαρμογή. Αυτό θα μειώσει τα επίπεδα θορύβου, τη φθορά των εξαρτημάτων και την κατανάλωση ενέργειας.
- Πιέστε τη μύτη του εργαλείου πάνω στο τεμάχιο εργασίας που πρόκειται να συρραφθεί και πιέστε τη σκανδάλη για να πυροβολήσει τους συρραπτήρες. (Figure 7)

Προσαρμόστε την ελάχιστη πίεση που είναι απαραίτητη για τη διεύθυνση των συνδετών. Στη συνέχεια, κάντε ορισμένες δοκιμές, ξεκινώντας με τη χαμηλότερη πίεση.

- Ελέγξτε εάν ο σύνδεσμος έχει εισαχθεί στο τεμάχιο εργασίας σύμφωνα με τις απαιτήσεις.
  - αν ο σύνδεσμος προεξέχει, αυξήστε την πίεση του αέρα σε βήματα των 0,5 bar, ελέγχοντας το αποτέλεσμα μετά από κάθε νέα ρύθμιση.
  - εάν ο συνδετήρας οδηγείται σε υπερβολικό βάθος, μειώστε την πίεση του αέρα κατά 0,5 bar, μέχρις ότου το αποτέλεσμα να είναι ικανοποιητικό
- Σε κάθε περίπτωση πρέπει να προσπαθήσετε να εργαστείτε με τη χαμηλότερη δυνατή πίεση αέρα.
- Κρατήστε το εργαλείο κατά τη διάρκεια της εργασίας κατά τέτοιο τρόπο ώστε να μην προκληθούν τραυματισμοί στην κεφαλή ή στο σώμα σε περίπτωση πιθανής ανάκρουσης λόγω διακοπής της παροχής ενέργειας ή σκληρών περιοχών μέσα στο τεμάχιο εργασίας.
- Το εργαλείο πρέπει να αποσυνδεθεί από το σύστημα πεπιεσμένου αέρα για σκοπούς μεταφοράς, ιδίως όταν χρησιμοποιούνται σκάλες ή όταν υιοθετείται ασυνήθιστη φυσική στάση κατά τη μετακίνηση.
- Φέρτε το εργαλείο οδήγησής του συνδετήρα στο χώρο εργασίας χρησιμοποιώντας μόνο τη λαβή και ποτέ με την ενεργοποιημένη σκανδάλη.
- Να λαμβάνονται υπόψη οι συνθήκες στον χώρο εργασίας. Οι σύνδεσμοι μπορούν να εισχωρήσουν σε λεπτά τεμάχια ή να γλιστρήσουν από τις γωνίες και τα άκρα των τεμαχίων και έτσι να θέσουν τους ανθρώπους σε κίνδυνο.
- Για την προσωπική ασφάλεια, χρησιμοποιήστε προστατευτικό εξοπλισμό όπως για ακοή και η προστασία των ματιών.
- Η σκανδάλη και ο ζυγός ασφαλείας πρέπει να τίθενται σε λειτουργία για κάθε λειτουργία οδήγησης, χωρίς να προσδιορίζεται η σειρά ενεργοποίησης. Για επαναλαμβανόμενες λειτουργίες οδήγησης, αρκεί είτε η σκανδάλη να παραμείνει ενεργοποιημένη και ο ζυγός ασφαλείας να ενεργοποιηθεί στη συνέχεια είτε αντίστροφα.
- Αποφύγετε την ενεργοποίηση του εργαλείου αν ο γεμιστήρας είναι άδειος.
- Οποιοδήποτε ελαττωματικό ή ακατάλληλο εργαλείο



πρέπει να αποσυνδεθεί αμέσως από την τροφοδοσία πεπιεσμένου αέρα και να μεταφερθεί σε ειδικό για έλεγχο.

14. Σε περίπτωση μακρύτερων διακοπών στην εργασία ή στο τέλος της εργασίας, αποσυνδέστε το εργαλείο από την παροχή πεπιεσμένου αέρα και συνιστάται να αδειάσετε το γεμιστήρα.
15. Οι σύνδεσμοι πεπιεσμένου αέρα του εργαλείου και οι εύκαμπτοι σωλήνες πρέπει να προστατεύονται από ρύπανση. Η είσοδος χονδρής σκόνης, μικρών κομμάτιων, άμμου κ.λπ. θα έχει ως αποτέλεσμα διαρροές και βλάβες στο εργαλείο και στους συνδέσμούς.

### ΣΥΣΤΗΜΑ ΠΕΠΙΕΣΜΕΝΟΥ ΑΕΡΑ

1. Η σωστή λειτουργία του εργαλείου οδήγησης του συνδετήρα απαιτεί φίλτραρισμένο, ξηρό < και με λιπαντικό > πεπιεσμένο αέρα σε επαρκείς ποσότητες. **(Figure 1)**
2. Εάν η πίεση του αέρα στο σύστημα γραμμής υπερβαίνει τη μέγιστη επιτρεπόμενη πίεση του εργαλείου οδήγησης του συνδετήρα, μια βαλβίδα μείωσης της πίεσης που ακολουθείται από μία βαλβίδα ασφαλείας πρέπει επιπλέον να τοποθετηθεί στη γραμμή τροφοδοσίας του εργαλείου.
3. Συνδέστε το εργαλείο οδήγησης του συνδετήρα στην παροχή πεπιεσμένου αέρα χρησιμοποιώντας κατάλληλο σωλήνα πίεσης εξοπλισμένο με συνδέσμους ταχείας δράσης. **(Figure 1)**
4. Η εγκατάσταση συμπεσστή πρέπει να είναι κατάλληλα διαστασιοποιημένη όσον αφορά την απόδοση πίεσης και την απόδοση (ογκομετρική ροή) για την κατανάλωση που αναμένεται. Τα τμήματα γραμμής που είναι πολύ μικρά σε σχέση με το μήκος της γραμμής (σωλήνες και εύκαμπτοι σωλήνες), καθώς και η υπερφόρτωση του συμπεσστή, θα έχουν σαν αποτέλεσμα πτώσεις πίεσης.
5. Οι αγωγοί πεπιεσμένου αέρα που βρίσκονται μόνιμα τοποθετημένοι πρέπει να έχουν εσωτερική διάμετρο τουλάχιστον 19 mm και αντίστοιχη μεγάλη διάμετρο, όταν πρόκειται για σχετικά μεγάλους ή πολλαπλούς χρήστες.
6. Οι αγωγοί πεπιεσμένου αέρα πρέπει να τοποθετούνται έτσι ώστε να σχηματίζουν κλίση (το υψηλότερο σημείο προς την κατεύθυνση του συμπεστή). Εύκολα προσβάσιμοι διαχωριστές νερού θα πρέπει να τοποθετούνται στα χαμηλότερα σημεία.
7. Οι συνδέσεις για τους χρήστες θα πρέπει να συνδέονται με τους αγωγούς από πάνω.
8. Τα σημεία σύνδεσης για τα εργαλεία οδήγησης των συνδετήρων θα πρέπει να είναι εξοπλισμένα με μονάδα συντήρησης πεπιεσμένου αέρα (φίλτρο / διαχωριστή νερού / λιπαντής) απευθείας στο σημείο σύνδεσης.
9. Οι λιπαντές πρέπει να ελέγχονται σε καθημερινή βάση και, εάν είναι απαραίτητο, συμπληρώνεται το συστημένο λάδι (βλ. ΤΕΧΝΙΚΑ ΣΤΟΙΧΕΙΑ). Όπου χρησιμοποιούνται μήκη σωλήνων άνω των 10m, δεν είναι εγγυημένη η τροφοδοσία λαδιού για το εργαλείο οδήγησης συνδετήρα. Συνιστούμε, λοιπόν, να προσθέσετε 2 έως 5 σταγόνες (ανάλογα με τη φόρτωση του εργαλείου οδήγησης του συνδετήρα) του συστημένου λαδιού (βλ. ΤΕΧΝΙΚΑ ΣΤΟΙΧΕΙΑ) μέσω της εισόδου αέρα του εργαλείου ή ενός ελαστικού που συνδέεται απευθείας στο εργαλείο οδήγησης του

συνδετήρα.

### ΕΠΙΛΥΣΗ ΠΡΟΒΛΗΜΑΤΩΝ ΚΑΙ ΣΥΝΤΗΡΗΣΗ

1. Αν συμβεί μια συμφόρηση συρραπτήρα, αποσυνδέστε το εργαλείο από την παροχή αέρα. **(Figure 3)**
2. Ελευθερώστε τη δεσμίδα και σύρετε τη ράγα πίσω. **(Figure 8)** Αφαιρέστε τους συνδέτες που έχουν κολλήσει.
3. Ή απελευθερώστε τις δύο βίδες του μπροστινού καλύμματος και τραβήξτε το προς τα έξω. **(Figure 9)** Αφαιρέστε το μπλοκαρισμένο βλήμα. **(Figure 10)** Επανατοποθετήστε το μπροστινό κάλυμμα και σφίξτε τις βίδες.

### ΣΥΝΤΗΡΗΣΗ:

1. Ενώ το εργαλείο είναι αποσυνδεδεμένο από την παροχή αέρα, κάντε ημερήσιους ελέγχους για να διασφαλίσετε την ελεύθερη κίνηση του πλαισίου ασφαλείας και της σκανδάλης.
2. Όλες οι βίδες πρέπει να διατηρούνται σφιγμένες. **(Figure 2)**  
Οι ξεσφιγμένες βίδες έχουν ως αποτέλεσμα μη ασφαλή λειτουργία και θραύση των εξαρτημάτων. Ψεκάστε ελαφρά λάδι, 2 ή 3 σταγόνες λαδιού, μέσα στο στόμιο αέρα.
3. Χρησιμοποιείτε μόνο συνιστώμενο λιπαντικό στις τεχνικές προδιαγραφές. Διατηρήστε το εργαλείο καθαρό. Σκουπίστε το κανονικά με στεγνό πανί και ελέγξτε για φθορά. Κατά διαστήματα, λιπάνετε τα ολισθαίνοντα εξαρτήματα της δεσμίδας για να αποτρέψετε φθορά.
4. Μην χρησιμοποιείτε εύφλεκτα καθαριστικά διαλύματα. Μην μουλιάζετε και μην χρησιμοποιείτε διάλυτη. Τέτοια διαλύματα μπορεί να καταστρέψουν τους δακτυλίους Ο και άλλα ευαίσθητα εξαρτήματα του εργαλείου. Χρησιμοποιήστε καθαρό, στεγνό αέρα. Κατά προτίμηση, χρησιμοποιήστε μια μονάδα επεξεργασίας συμπεσμένου αέρα κατά την άνοδο στη σύνδεση του εργαλείου. Επισκευές, διαφορετικές από όσες περιγράφονται εδώ, πρέπει να διεξάγονται μόνο από εκπαιδευμένο, ειδικευμένο προσωπικό ή από την υπηρεσία σέρβις μετά την πώληση του κατασκευαστή.

### ΛΙΣΤΑ ΑΝΤΑΛΛΑΚΤΙΚΩΝ

Ακολουθήστε τους τοπικούς κανονισμούς για ασφαλή απόρριψη του εργαλείου

### PMP171 Λίστα ανταλλακτικών (Figure 12)

Index	Art. No	Περιγραφή προϊόντος
A	5001346	Βαλβίδα κεφαλής, κυλινδρος και σετ εμβόλων
B	5001347	Σετ ασφαλείας και σκανδάλης
C	5001348	Σετ γεμιστήρα

# HAVALI ÇİVİ TABANCASI PMP171

Kullanım talimatları - orjinal çevirisi

TR

## TEKNİK ÖZELLİKLER

	Yükseklik	190 mm
	Uzunluk	230 mm
Alet boyutu:	Genişlik	48 mm
	Çivisiz ağırlık	0,95 kg
	Ağır çivi ile ağırlığı	0,96 kg
Hava girişi		1/4"
İzin verilen maksimum çalışma basıncı		8 bar
Çalışma basıncı	Minimum	5 bar
	Maksimum	7 bar
Teki-Çoklu Zımbalama Seçeneği		Temas ederek harekete geçirme
Önerilen sabitleme malzemeleri		Rapid 23P: 15 -> 35 mm
Çivi boyutları		Ø0,64mm - 23Ga
Yükleme kapasitesi		150
Önerilen pnömatik yağ		Hidrolik yağ ISO 46 veya eşdeğeri
	LpA, 1s, d	70,9 dB
Gürültü Bilgisi (EN 12549:1999)	belirsizlik	2,5 dB
	LwA, 1s, d	83,9 dB
	belirsizlik	2,5 dB
	LpC, tepe	109 dB
belirsizlik	2,5 dB	

Bu değerler aletle ilgili karakteristik değerlerdir ve kullanım yerinde üretilen gürültüyü ifade temsil etmez. Kullanım yerindeki gürültü örneğin çalışma ortamına, üzerinde çalışan parçaya, parçanın altındaki desteğe ve çakma işleminin sayısına bağlı olacaktır. Çalışma yerinin tasarımı da gürültü seviyesini azaltılabilir; örneğin, iş parçasının ses söndüren destekler üzerine yerleştirilmesi.

Titreşim Bilgisi (ISO 8662-11:1999)	Titreşim	2,24 m/s <sup>2</sup>
	belirsizlik	0,332 m/s <sup>2</sup>

Bu değer aletle ilgili karakteristik bir değerdir ve alet kullanılırken el-kol sistemi üzerinde oluşan etkiyi temsil etmez. Kullanım sırasında el-kol sistemi üzerindeki her türlü etki, örneğin, kavrama kuvvetine, temas basıncı kuvvetine, çalışma yönüne, enerji kaynağının ayarlanmasına, üzerinde çalışan parçaya, parçanın altındaki desteğe bağlı olacaktır.

## SİMGELER

Aşağıda ekipman için kullanılan simgeler gösterilmiştir. Kullanmadan önce simgelerin anlamlarını anladığınızdan emin olun.



Aletin etiketlerini ve kullanım kılavuzunu mutlaka okuyun ve anlayın. Uyarıların izlenmemesi ciddi yaralanmalara neden olabilir.



Operatörler ve çalışma alanındaki diğer kişiler, yan korumalıları olan darbelere dayanıklı göz koruması kullanmalıdır.



İş alanındaki operatörler ve diğer kişilerde işitme koruması kullanmalıdır.



Cihaz, kontak çalıştırma modunda çalışabilme özelliğine sahiptir.



Aleti merdiven veya yapı iskelesi, merdiven veya merdiven benzeri yapılarda kullanmayın. Örn. tavan çitaları, kutular veya kasaları kapatırken, nakliye emniyet sistemlerini takarken, araçlar ve vagonlar üzerinde kullanmayınız



Bu alet için güç kaynağı olarak oksijen, karbondioksit veya başka bir gaz tüpü kullanmayın.

## GÜVENLİK UYARISI

1. **Kişisel güvenlik ve aletin uygun çalışması ve bakımı için, aleti kullanmadan önce bu kullanım kılavuzunu okuyun.**



2. Gelecekte başvurmak için tüm uyarıları ve talimatları saklayın.

3. Cihaz sadece profesyonel uygulamalar için tasarlanmıştır. Başka hiçbir amaç için kullanmayın. Bağlantı elemanları doğrudan çelik ve beton gibi sert bir yüzeye sürmek için tasarlanmamıştır.

4. Kullanıcı her kullanımın bir sonucu olarak ortaya çıkan spesifik riskleri değerlendirmelidir.

5. Bu aletin kullanım amacı dışındaki işler için kullanılması yasaktır. Sürekli temasla etkinleştirme ya da temasla etkinleştirme moduyla kullanılabilen tespit elemanı vidalama aletleri sadece üretim uygulamasında kullanılmalıdır.

6. Aleti kullanmadığınız zaman ve bir çalışma alanından başka bir alana geçerken parmaklarınızı tetikten uzak tutun.

7. Çeşitli tehlikeler. Aletin bağlantısını yapmadan ya da bağlantısını kesmeden, yüklemeyen, çalıştırmadan, bakım yapmadan ya da aksesuarlarını değiştirmeden ve alet yakınında çalışmadan önce güvenlik talimatlarını okuyup anlamalısınız. Bunun yapılmaması ciddi fiziksel

yaralanmalara neden olabilir.

8. Eller ve ayaklar gibi tüm organları aletin atış yönünden uzak tutun ve tespit elemanının iş parçasını bedeniniz kısımlarına girmesine neden olmadığınızdan emin olun.
9. Aleti kullanırken, tespit elemanı sekebilir ve yaralanmaya sebep olabilir.
10. Aleti sıkıca kavrayın ve geri tepmeye karşı hazırlıklı olun.
11. Tespit elemanı vidalama aletini sadece teknik yeteneğe sahip operatör kullanmalıdır.
12. Tespit elemanı vidalama aletinde değişiklik yapmayın. Değişiklik yapmak güvenlik tedbirlerinin etkinliğini azaltabilir ve operatör ve/veya yakındakiler için riskleri artırabilir.
13. Kullanım kılavuzunu atmayın.
14. Alet hasarlı ise aleti kullanmayın.
15. Tespit elemanlarını tutarken, özellikle de yüklemeye ve boşaltma sırasında, dikkatli olun, çünkü tespit elemanlarında yaralanmaya sebep olabilecek keskin noktalar bulunur.
16. Kullanmadan önce aleti kırık, yanlış bağlanmış ya da aşınmış parçalara karşı daima kontrol edin.
17. Fazla ıleriye uzanmaya çalışmayın. Sadece güvenli çalışma alanınızda kullanın. Her zaman yere sağlam basın ve dengeyi koruyun.
18. Cıvardaki kişileri uzağınızda tutun (insanların gelip geçme ihtimalinin yüksek olduğu yerlerde çalışırken). Çalışma alanınızı net bir şekilde işaretleyin.
19. Aleti asla kendinize ya da başkalarına doğrultmayın.
20. Aleti tutarken, çalışma alanı ya da konum değiştirirken veya yürürken parmağınızı tetiğin üstünde tutmayın; çünkü parmağın tetik üzerinde tutulması istenmeyen çalışmaya neden olabilir. Etkinleştirme modu seçilebilir olan aletlerde, doğru modun seçili olduğundan emin olmak için kullanmadan önce daima aleti kontrol edin.
21. Sadece, tetiği ve diğer ayar cihazlarını yeterli bir şekilde hissedip güvenli bir şekilde kullanmanızı sağlayacak türde eldivenler kullanın.
22. Aleti bırakırken düz bir yüzeye yerleştirin. Alette birlikte sağlanan kancayı kullanıyorsanız aleti sağlam bir şekilde düz bir yere kancayla asın.
23. Alkollüyseniz, uyuşturucu ya da benzeri bir maddenin etkisindeyseniz çalışmayın.
24. Aleti merdiven veya yapı iskelesi, merdiven veya merdiven benzeri yapılarda kullanmayın. Örn. tavan çataları, kutuları veya kasaları kapatırken, nakliye emniyet sistemlerini takarken, araçlar ve vagonlar üzerinde kullanmayın.

#### Fırlama ile ilişkili tehlikeler

1. Tespit elemanları boşaltılırken, ayarlama yapılırken, sıkışıklıklar giderilirken veya aksesuarlar değiştirilirken, tespit elemanı vidalama aletinin bağlantısı kesilmelidir.
2. Çalışma sırasında, tespit elemanlarının malzemesi doğru bir şekilde girdiğinden ve sekerek/yanlış ateşlenerek kullanıcıya ve/veya civardakilere yönleneceğinden emin olun.
3. Çalışma sırasında, iş parçasından ve tespit elemanı/istifleme sisteminden çıkan birikintiler boşaltılabilir.
4. Elektrikli aletleri kullanırken gözlerinizi korumak için daima koruyucu gözlük kullanın. Gözlüklerin ABD'de ANSI Z87.1 ile, Avrupa'da EN 166 ile ya da Avustralya/Yeni Zelanda'da AS/NZS 1336 ile uyumlu



olması gereklidir. Avustralya/Yeni Zelanda'da, yüzünüzü korumanız için yüz koruyucu maske kullanılması da yasal olarak gereklidir. Alet operatörlerinin ve çalışma alanının yakınında çalışan diğer kişilerin uygun koruyucu güvenlik ekipmanlarını kullanmasını sağlanması, işverenin yükümlülüğündedir.

5. Diğer kişilere gelebilecek riskler operatör tarafından değerlendirilmelidir.
6. İş parçasıyla temas halinde olmayan aletleri kullanırken dikkatli olun, zira bu aletler istenmeyen bir şekilde ateşlenebilir ve operatörün ve/veya civardakilerin yaralanmasına sebep olabilir.
7. Aletin daima güvenli bir şekilde iş parçasına kenetlenmediğinden ve kaymadığından emin olun.
8. Kulaklarınızı çıkan gürültüye karşı korumak için koruyucu kulaklık ve baret kullanın. Ayrıca hafif, ancak bol olmayan kıyafetler giyin. Kıyafetlerin kolları düğmeli olmalı veya yukarı kıvrılmalıdır. Kravat takılmamalıdır.



#### Çalışma sırasında oluşabilecek tehlikeler

1. Aleti doğru bir şekilde tutun, normal ve ani hareketlere (örn. geri tepme) karşı koymaya hazırlıklı olun.
2. Vücudunuzu dengeli bir konumda tutun ve ayağınızı yere sağlam basın.
3. Uygun emniyet gözlükleri kullanılmalıdır, uygun eldivenler ve koruyucu giysi kullanılması tavsiye edilir.
4. Uygun işitme koruması kullanılmalıdır.
5. Kullanma kılavuzunda belirtildiği gibi doğru bir enerji kaynağı kullanın.
6. Aleti hareketli platformlarda veya kamyonların arkasında kullanmayın. Ani platform hareketi aletin kontrolünün kaybedilmesine ve yaralanmaya neden olabilir.
7. Aletin her zaman bağlantı elemanı olduğu olduğunun varsayın.
8. Çalışırken acele etmeyin ve aleti zorlamayın. Aleti dikkatli bir şekilde tutun.
9. Çalışırken yere sağlam basın ve aleti kullanırken dengeyi koruyun. Yüksek yerlerde çalışırken çalışılan seviyenin altında kimsenin olmadığından emin olun ve ani sıçrama veya takılma olasılığı varsa tehlikeyi önlemek için hava hortumunu sabitleyin.
10. Çatıda ve benzeri yüksek yerlerde çalışırken bağlantı elemanı vidalama işlemini ilerlediğiniz yönde gerçekleştirin. Bağlantı elemanı vidalama işlemini geriye doğru hareket ederken uygulamanız durumunda dengeyi kolayca kaydedebilirsiniz. Düşey yüzeylere bağlantı elemanı vidalarken, üst taraftan başlayarak alt tarafa doğru ilerleyin. Bu şekilde vidalama işlemini daha az yorulacak şekilde gerçekleştirebilirsiniz.
11. Yanlışlıkla mevcut bir bağlantı elemanın üzerine vidalarsanız veya ahsap içerisinde bir budağa denk gelirsiniz, bağlantı elemanı eğilebilir veya alette sıkışma oluşabilir. Bağlantı elemanı fırlayabilir ve birisine isabet edebilir veya aletin kendisi tehlikeli bir şekilde geri tepelir. Bağlantı elemanlarını dikkatli bir şekilde yerleştirin.
12. Yüklenmiş aleti ya da basınç altındaki hava kompresörünü güneşin altında uzun süre bırakmayın. Biraktığınız yerde aletin içine toz, kum, yonga ve yabancı maddeler girmeyeceğinden emin olun.
13. Aynı anda hem iç hem dış taraftan bağlantı elemanı vidalamaya çalışmayın. Bağlantı elemanları karşı tarafa geçerek ve/veya sıçrayarak ciddi tehlike oluşturabilir.

## Yinelenen hareketler ile ilgili tehlikeler

1. Bir alet uzun bir dönem boyunca kullanıldığında operatör ellerinde, kollarında, omuzlarında, boynunda ya da vücudunun diğer bölümlerinde rahatsızlık hissedebilir.
2. Bir aleti kullanırken, operatör uygun ama ergonomik bir duruş seçmelidir. Ayaklarınızı yere sağlam basın ve tuhaf veya dengesiz duruşlardan kaçınınız.
3. Operatör sürekli ya da tekrarlayan rahatsızlık, ağrı, çarpıntı, acı, karıncalanma, uyuşma, yanma hissi veya sertleşme gibi belirtiler yaşarsa bu yaran sinyallerini göz ardı etmemelidir. Operatör, genel faaliyetleri ile ilgili olarak nitelikli bir sağlık profesyoneline danışmalıdır.
4. Aletin sürekli kullanılması aletin oluşturduğu geri tepme nedeniyle tekrarlayıcı gerilerek zorlama yaralanmasına neden olabilir.
5. Tekrarlayan gerilme yaralanmasını engellemek için operatör ileriye uzanmamalı veya aşırı güç kullanmamalıdır. İlaveten operatör kendini yorgun hissettiğinde dinlenmelidir.
6. Tekrarlayan hareket tehlikelerine yönelik bir risk değerlendirmesi yapın. Bu değerlendirme kas-iskelet sistemi hastalıklarına odaklanmalı ve tercihen, çalışma sırasında yorgunluğun azaltılmasının hastalıkları azaltmada etkili olduğu varsayımını baz almalıdır.

## Aksesuar ve sarf malzemeleriyle ilgili tehlikeler

1. İş parçasının temas ettiği aksesuarların değiştirilmesi ya da ayarlamalar yapılması gibi işlemlerden önce hava, gaz veya batarya gibi, geçerli olan enerji kaynağının aletle bağlantısını kesin.
2. Daima sadece üretici tarafından temin edilen boyut ve türdeki aksesuarları kullanınız.
3. Sadece bu kılavuzda belirtilen yağları kullanınız.

## Çalışma yeri ile ilişkili tehlikeler

1. Kayma, takılma ve düşmeler iş yeri yaralanmalarının önde gelen sebeplerindedir. Aletin kullanılması dolaylı kayganlaşan yüzeylere ve hava hattı hortumuna takılma nedeniyle oluşabilecek tehlikelere karşı dikkatli olun.
2. Alışık olmadığınız ortamlarda çalışırken ekstra dikkatli olun. Elektrik ya da diğer tesisat hatları gibi gizli tehlikeler mevcut olabilir.
3. Bu alet potansiyel olarak patlayıcı atmosferlerde kullanım için tasarlanmamıştır ve elektrik hatlarıyla temasa karşı yalıtıma sahip değildir.
4. Aletin kullanımı nedeniyle hasar görerek tehlikeye neden olabilecek elektrik kabloları, gaz boruları vb. olmadığından emin olun.
5. Çalışma alanını temiz tutun ve iyi aydınlatın. Karmakarışık veya karanlık alanlar kazalarla davetiye çıkarır.
6. Gürültü seviyelerinin belirli sınırlar dahilinde tutulmasını gerektiren yerel yönetmelikler mevcut olabilir. Belirli durumlarda gürültünün absorbe edilmesi için gürültü önleyici muhafazalar kullanılmalıdır.

## Toz ve çıkan gazlarla ilgili tehlikeler

1. Etrafınızdakileri daima kontrol edin. Aletten çıkan hava, toz ve nesnelere içerebilir ve bunlar operatöre ve/veya civardakilere etki edebilir.
2. Egzozu, toz dolu bir ortamda toz müdahalesini en aza indirecek şekilde yönlendirin.
3. Çalışma alanına toz veya cisimler yayılırsa sağlık tehlikelerini ve yaralanma riskini azaltmak için yayılımı

mümkün olduğunca azaltın.

## Gürültü ile ilgili tehlikeler

1. Yüksek gürültü seviyelerine hiçbir koruyucu ekipman olmadan maruz kalmak kalıcı, sakat bırakıcı, işitme kayıplarına ve kulak çınlaması (kulaklarda çınlama, vızıldama, ıslık sesi, uğuldama) gibi başka problemlere neden olabilir.
2. Çalışma alanındaki gürültü tehlikelerine yönelik bir risk değerlendirmesi yapın ve bu tehlikeler için uygun kontrolleri uygulayın.
3. Bu riski azaltmaya yönelik uygun önlemler arasında iş parçalarının "çınlamasını" önlemek için tampon malzemeler kullanılması gibi eylemler de sayılabilir.
4. Uygun bir işitme koruması kullanın.
5. Gürültü seviyesinin gereksiz yere artmasını önlemek için aleti bu talimatlarda tavsiye edilen şekilde kullanın ve aletin bakımını yapın.
6. İş parçalarını ses sönmüyleci desteklerin üzerine koymak gibi gürültü azaltma önlemleri alın.

## Titreşim ile ilgili tehlikeler

1. Çalışma sırasında titreşim emisyonu, kavrama gücü, temas basıncının gücü, çalışma yönü, enerji kaynağının ayarları, iş parçası ve iş parçası desteğine bağlıdır. Titreşim tehlikelerine yönelik bir risk değerlendirmesi yapın ve bu tehlikeler için uygun kontrolleri uygulayın.
2. Titreşime maruziyet sınırlarında ve el ve kolların kan akışında vazifeden alıkoyan hasara neden olabilir.
3. Soğuk koşullarda çalışırken ılık tutaç giysiler giyin, ellerinizi sıcak ve kuru tutun.
4. Uyuşma, karıncalanma, ağrı, parmaklarda veya ellerde ciltte beyazlaşma görülmesi gibi belirtiler yaşarsanız, genel faaliyetlerle ilgili olarak hemen nitelikli bir sağlık profesyoneline tıbbi tavsiye alın.
5. Titreşim seviyesinin gereksiz yere artmasını önlemek için aleti bu talimatlarda tavsiye edilen şekilde kullanın ve aletin bakımını yapın.
6. Aleti hafif ama sağlam bir şekilde tutun; çünkü kavrama gücü çok yüksek olduğunda oluşabilecek titreşim riski de daha yüksek olur.

## Havali aletler için ek uyarılar

1. Basınçlı hava ciddi yaralanmalara sebep olabilir.
2. Kullanılmadığı zaman daima hava desteğini kapatın ve aletin hava tedarik bağlantısını kesin.
3. Aksesuarları değiştirmeden, ayarlamaları ve/veya tamir işlemleri yapmadan, bir çalışma alanından bir başkasına geçmeden önce daima aletin basınçlı hava tedariki ile olan bağlantısını kesin.
4. Aleti kullanmadığınız zaman ve bir çalışma alanından başka bir alana geçerken parmaklarınızı tetikten uzak tutun.
5. Basınçlı havayı asla kendinize ya da başkasına doğrultmayın.
6. Basınçtan dolayı hareket eden hortumlar ciddi yaralanmalara sebep olabilir. Hortum ve tertibatı hasar ya da gevşeme olup olmadığını daima kontrol edin.
7. Havali aletleri asla hortumundan tutarak taşımayın.
8. Havali aletleri asla hortumundan tutarak sürüklemeyin.
9. Havali aletleri kullanırken maksimum çalışma basıncının maksimum değerini aşmayın.
10. Havali aletler, gürültü ve titreşimi azaltmak ve aşınmayı minimuma indirmek için, sadece iş süreci için gereken en düşük basınçtaki basınçlı hava ile çalıştırılmalıdır.

11. Havalı aletleri çalıştırmak için oksijen veya yanıcı gazlar kullanmak yangın ve patlama tehlikesine yol açar.
12. Havalı aletleri kullanırken alet soğuyabileceği ve bu durum kavrama ve kontrolü etkileyebileceği için dikkatli olun.



### Temasla etkinleştirme özellikli aletler için ek uyarılar

1. Aleti tutarken, çalışma alanı ya da konum değiştirirken veya yürürken parmağınızı tetiğin üstünde tutmayın; çünkü parmağın tetik üzerinde tutulması istenmeyen çalışmaya neden olabilir.
2. Cihaz paletlerde, mobilyada, imal edilmiş ahşap ürünlerde, döşemelerde ve kaplamalarda kullanıma uygundur.
3. Cihazı römork yada kamyonlarda taşınan kasa yada kutu kapatma uygulamaları için kullanmayınız.
4. Cihazı güvenli çalışma ortamlarında kullandığınızdan emin olunuz ve güvenli olmayan yerlerde çalıştırmayı tercih etmeyiniz.
5. Cihazı kullanırken başka bir kullanım moduna alma esnasında çok dikkatli olunuz.



### YÜKLEME

1. Aletin hava kaynağına bağlantısını kesin. **(Figure 3)**
2. Kilitleme mandalını sıkarak şarjörü çıkarın. **(Figure 4)**
3. Brad yükleme: Çivi tabancasını aşağı doğru tutun ve kartuşa sivri uçları aşağıya gelecek şekilde bir çivi çubuğu yükleyin. **(Figure 5)** Tiklayarak yerine oturuncaya kadar rayı itin. **(Figure 6)**
4. Yalnızca önerilen sabitleme malzemesi kullanın (teknik özelliklere bakın).
5. Çalıştırma talimatlarında belirtilen alet ve sabitleyiciler, bir ünite güvenli sistemi olarak düşünülmelidir.

### ALETİN KULLANIMI

1. Aleti kendinizden ve diğer kişilerden uzağa tutun ve aleti hava kaynağına bağlayın. **(Figure 1)**
2. Aletler uygulama için gereken en düşük basınçta çalıştırılmaktadır. Böylece gürültü seviyesi, parçaların aşınması ve enerji kullanımı azalır.
3. Aletin burununu sabitlenecek iş parçasının üzerine bastırın ve zimba teli çakmak için tetiğe basın. **(Figure 7)**  
Sabitleme malzemesinin parçayı delmesi için gereken minimum basıncı ayarlayın. Sonra, en düşük basınçta başlayarak bazı testler yapın.
4. Bağlantının iş parçasına gereksinimlere göre takılıp takılmadığını kontrol edin.  
- eğer tespit elemanı çıkıntılı ise, hava basıncını her 0 ayardan sonra kontrol ederek 0,5 bar'lık artışlarla artırın;  
- eğer bağlayıcı aşırı derinliğe sürülürse, sonuç tatmin edici oluncaya kadar hava basıncını 0,5 bar'lık artışlarla azaltın.
5. Her halükarda, mümkün olan en düşük hava basıncıyla çalışmaya başlamalısınız.
6. Çalışma işlemi sırasında aleti, enerji kaynağında veya iş parçası içindeki sert alanlarda bir bozulma meydana gelebilecek olası bir geri tepme

- durumunda kafaya veya vücuda zarar vermeyecek şekilde tutun.
7. Cihazınızı taşırken, özellikle merdivenlerin kullanıldığı yerlerde veya hareket halindeyken olağandışı bir fiziksel duruşun olduğu durumlarda, alet basınçlı hava sisteminden ayrılmalıdır.
  8. Cihazınızı işyerinde sadece kolunu kullanarak ve asla tetiğine basılı halde olmayacak şekilde kullanarak taşıyın.
  9. İşyerindeki koşullar mutlaka göz önünde bulundurun. Bağlantı elemanları ince iş parçalarına derin şekilde nüfuz edebilir veya yaptığınız işin köşelerine veya kenarlarına kayabilir ve taşabilir. Bu durumda insanları riske sokabilirsiniz.
  10. Kişisel güvenlik için, işitme ve göz koruması gibi koruyucu ekipmanlar kullanın.
  11. Her kullanım işlemi için tetik ve emniyet boyunduruğu çalıştırma sırası belirtilmiş şekilde çalıştırılmalıdır. Tekrarlanan kullanım işlemleri için, tetik aktif kalmaya devam ederse ve emniyet boğazı daha sonra etkinleştirilirse ciddi sorunlar yaratabilir
  12. Magazinlik boşsa, aleti tetiklemeden kaçının.
  13. Anızalı veya hatalı çalışan herhangi bir aletin derhal basınçlı hava beslemesiyle bağlantısını kesmeli ve inceleme için bir uzmana iletilmelidir.
  14. Çalışma süresinde veya çalışma vardiyasının sonunda daha uzun molalar olması durumunda, cihazın basınçlı hava kaynağından bağlantısını kesin ve magazinliğin mutlaka boşaltılması önerilir.
  15. Aletin ve hortumların basınçlı hava konektörleri kirlenmeye karşı korunmalıdır. Ancak Kaba toz, talaş, kum ve benzerleri aletin girişlerinde ve kaplinlerde kaçak ve hasara yol açacaktır.

### BASINÇLI HAVA SİSTEMİ

1. Bağlantı elemanı tahrik aletin doğru çalışması için yeterli miktarda filtrelenmiş, kuru < ve yağlanmış > basınçlı hava gerekir. **(Figure 11)**
2. Hat sistemindeki hava basıncı, bağlantı elemanı tahrik takımının iş verlen maksimum basıncını aşarsa, ayrıca bir aşağı akış emniyet valfi tarafından takip edilen bir basınç düşürme valfi ek olarak cihaza besleme hattına takılmalıdır.
3. Hızlı hareket konektörleriyle donatılmış uygun basınç hortumunu kullanarak bağlantı elemanı tahrik aletini basınçlı hava kaynağına bağlayın. **(Figure 1)**
4. Kompresör tesisi, beklenen tüketim için basınç çıkışı ve performans (hacimsel akış) açısından uygun şekilde boyutlandırılmalıdır. Hat uzunluğuna göre çok küçük olan hat bölümleri (borular ve hortumlar) ve aynı zamanda kompresörün aşırı yüklenmesi de basınç düşmesine neden olur.
5. Kalıcı olarak döşenmiş basınçlı hava boru hatları, en az 19 mm iç çapa ve nispeten uzun boru hatlarının ya da çoklu kullanıcıların dahil olduğu karşılık gelen büyük çapa sahip olmalıdır.
6. Basınçlı hava boru hatları bir gradyan oluşturacak şekilde döşenmelidir (kompresör yönünde en yüksek nokta). Kolayca erişilebilen su ayırıcıları en düşük noktalarda monte edilmelidir.
7. Kullanıcılar için bağlantılar, yukarıdan boru hatlarına bağlanmalıdır.
8. Bağlantı elemanı tahrik aletleri için bağlantı noktaları, doğrudan birleşme noktasına basınçlı hava servis

- űnitesi (filre / su ayırıcı / yağlayıcı) takımalıdır.
9. Yağlayıcılar gűnlűk olarak kontrol edilmeli ve gerekirse őrnenen yağ derecesi ile doldurulmalıdır (bkz. TEKNİK VERİLER). 10 m'nin űzerindeki hortum uzunlukları kullanıldığında, bağlantı elemanı tahrik aleti için yağ beslemesi garantı edilemez. Bu nedenle, tavsiye edilen yağın 2 ila 5 damla (bağlantı elemanı tahrik aletinin yűklenmesine baėlı olarak) (bakınız TEKNİK VERİLER) aletin hava giriŐi ya da doėrudan bağlantı elemanı tahrik aletine baėlı bir yağlayıcı eklenmesini tavsiye ederiz.

### SORUN GİDERME VE BAKIM

1. Zımba teli sıkışması olursa hava kaynaėı bağlantısını kesin. (Figure 3)
2. Şarjörü çıkarın ve rayı geriye doėru kaydırın. (Figure 8) Sıkışan sabitleme malzemesini çıkarın.
3. Ya da őr kapaėın iki vidasını serbest bırakın ve dıŐarı çekin. (Figure 9) Sıkışan materyali çıkarın. (Figure 10) őr kapaėı yerine takın ve vidaları sıkın.

### BAKIM:

1. Aletin hava kaynaėı bağlantısı çıkarılmış olarak, emniyet kelepçesinin ve tetiėin serbest hareket ettiėini kontrol edin.
2. Tűm vidalar sıkı olmalıdır. (Figure 2)  
Gevşek vidalar çalıŐma emniyetini ortadan kaldırır ve parçaların bozulmasına neden olur. Hava giriŐine 2

veya 3 damla yağ damlatın.

3. Sadece teknik özelliklerde őrnenen yağı kullanınız. Aleti temiz tutun. Dűzenli olarak kuru bir bezle silin ve aŐınma olup olmadıėını kontrol edin. AŐınmalarını őrlemek için payan parçaları ve Őarjörü zaman zaman yağlayın.
4. Yanıcı temizlik maddeleri kullanmayın. Solvent kullanmayın ve solvente daldırmayın; bu gibi maddeler O-halkalara veya diėer hassas alet parçalarına zarar verebilir. Temiz, kuru hava kullanın. Tercihen aletin bağlantısının őrnde basınçlı hava iŐleme űnitesi kullanın. Burada anlatılanlar dıŐındaki tamir iŐleri yalnızca eėitimli, nitelikli personel veya őrreticinin satıŐ sonrası servisi tarafından yapılmalıdır.

### YEDEK PARÇA LİSTESİ

Cihazınızı çöpe atarken yada imha ederken lűfen yerel dűzenlemelere uyunuz.

### PMP171 Yedek Parça Listesi (Figure 12)

İndeks	Parça No	Açıklama
A	5001346	Baş kısmı valfi, silindir ve piston takımı
B	5001347	Gűvenlik ve tetik seti
C	5001348	Magazin set

## PNEUMATİKUS SZŐGBELŐVŐ PMP171

Használati űtmutató - az eredeti dokumentum fordításá

HU

### Műszaki Adatok

A szerszám mérete:	Magasság	190 mm
	Hosszúság	230 mm
	Szélesség	48 mm
	Szőgek nélküli tömeg	0,95 kg
	Tűmeg a legnehezebb szűgkkel	0,96 kg
Levegű bemenet		1/4"
Maximális űzemi nyomás		8 bar
űzemi nyomás	Min.	5 bar
	Max.	7 bar
Működető rendszer		Kontakt űzemmód
Javasolt rűgztűk		Rapid 23P: 15 -> 35 mm
Szőgmeretek		Ø0,64mm - 23Ga
Tűtési kapacitás		150
Javasolt pneumatikus olaj		ISO 46 vagy ezzel egyenértű hidraulikaolaj

Zaj (EN 12549:1999)	LpA, 1s, d	70,9 dB
	pontatlanság	2,5 dB
	LwA, 1s, d	83,9 dB
	pontatlanság	2,5 dB
	LpC, max	109 dB
	pontatlanság	2,5 dB

Ezek az őrtekek a szerszám karakterisztikáját, és nem a használat helyén generált zaj őrteket reprezentálják. A használat helyén mérhető zajt egyéb tényezők is befolyásolják, pl. a munkakörnyezet, a munkadarab, a munkadarab alátámasztása és a műveletek száma. A munkahely kialakítása szintén csökkentheti a zajszinteket, pl. a munkadarab hangelnyelő helyre történő felhelyezése.

Rezgéssel kapcsolatos információk (ISO 8662-11:1999)	Rezgés	2,24 m/s <sup>2</sup>
	pontatlanság	0,332 m/s <sup>2</sup>

Ezek az őrtekek a szerszám karakterisztikáját, és nem a használat során, a kezlet és kart őrtekeket reprezentálják. A szerszám használata során, a kezlet és a kart őrtekeket a következő tényezők is befolyásolhatják: a szerszám markolásának erőssége, a nyomórő, a munkavégzés iránya, az áramforrás beállításá, a munkadarab és a munkadarab alátámasztása.

## SZIMBÓLUMOK

Az alábbiakban a berendezésre vonatkozó szimbólumok láthatók. Használat előtt bizonyosodjon meg arról, hogy ismeri ezek jelentését.



Olvassa el és értelmezze a szerszám kézikönyvét és címkéit. A figyelmeztetések be nem tartása súlyos sérüléshez vezethet.



A kezelők és a közelben tartózkodók számára oldalpajzsos, ütészálló védőszemüveg viselete kötelező.



A kezelők és a közelben tartózkodók számára hallásvédő viselete kötelező.



A szerszám kontaktbelövés üzemmóddal is rendelkezik.




Ne használja a szerszámot merlegén, állványzaton, létrán vagy hasonló szerkezeten, pl. félkész tetőn állva, dobozok vagy rekeszek lezárásához, ill. szállítási biztonsági rendszerek teherautókra vagy vagonokra történő felszereléséhez.



Soha ne kísérlelje meg oxigénnel, széndioxidral vagy egyéb palackos gázzal meghajtani a szerszámot.

## ÁLTALÁNOS BIZTONSÁGI FIGYELMEZTETÉSEK

- A személyes biztonság, valamint a szerszám megfelelő működése és karbantartása érdekében a szerszám használata előtt olvassa el a jelen használati útmutatót.** 
- A figyelmeztetéseket és a használati útmutatót gondosan őrizze meg későbbi használatra.
- A szerszámot kizárólag professzionális felhasználásra tervezték. Ne használja semmilyen egyéb célra. Nem arra tervezték, hogy a kötőelemeket közvetlenül kemény felületekbe, pl. acélba vagy betonba löjék.
- A kezelőnek továbbá figyelembe kell vennie a használat során felmerülő kockázatokat.
- Tilos a szerszám rendeltetésétől eltérő bármilyen használat. A folyamatos kontaktbelövés üzemmóddal rendelkező kötőelem-belövőket csak gyártóalkalmazásokban szabad használni.
- Ne tartsa az ujját a működtető billentyűn, amikor nem működteti ezt a szerszámot, vagy amikor egyik működtetési pozícióból a másikra vált.
- Több veszélyforrás is jelen van. Csatlakoztatás, lekötés, betöltés, működtetés, karbantartás, tartozékok cseréje vagy a szerszám közelében végzett munka előtt figyelmesen olvassa el a biztonsági utasításokat. Ennek elmulasztása súlyos testi sérüléshez vezethet.

- A testrészeit, így a kezét, lábát, stb. tartsa távol a belövés irányától, és ügyeljen arra, hogy a kötőelem munkadarabot átítve ne hatolhasson testrészekbe.
- Amikor a szerszámot használja, ne fedje, hogy a kötőelem elferdülhet, és sérülést okozhat.
- Tartsa erősen a szerszámot, és készüljön arra, hogy visszarúghat.
- A kötőelem-belövőt csak műszakilag képzett kezelők használhatják.
- Ne alakítsa át a kötőelem-belövőt. Az átalakítás csökkentheti a biztonsági óvintézkedések hatékonyságát, növelve a kezelő és/vagy a közelben tartózkodók kockázatait.
- Ne dobja ki a használati útmutatót.
- Ne használja a szerszámot, ha az megsérült.
- A kötőelemek kezelésekor, különösen betárazáskor és kitérázásokor legyen óvatos, mivel a kötőelemek hegyesek, és sérülést okozhatnak.
- Használat előtt mindig ellenőrizze a szerszámot, hogy annak alkatrészei nem töröttek-e, nem lazultak-e ki, illetve nem használozták-e el.
- Használat közben ne nyújtózkodjon. Csak biztonságos munkaterületen használja a készüléket. Mindig megfelelően stabil testhelyzetben és egyensúlya megtartásával dolgozzon.
- Tartsa távol a közelben tartózkodó embereket (amikor olyan helyen dolgozik, ahol gyalogosforgalom várható). A munkaterület határait világosan jelölje ki.
- Soha ne irányítsa a szerszámot magára vagy másokra.
- Amikor a szerszámot felveszi, munkaterületek, ill. munkahelyek között közlekedik, ne helyezze ujját a működtető billentyűre, mert ezzel véletlenül működtésbe hozhatja a készüléket. Választható működtetésű szerszámok esetén mindig győződjön meg arról, hogy a szerszám a megfelelő üzemmódban van.
- Csak olyan védőkesztyűt viseljen, amellyel kellően jól tud fogni, és biztosan tudja kezelni a működtető billentyűt és a beállító készülékeket.
- A szerszámot mindig sík felületre tegye le. Ha a szerszámhoz mellékelt horgot használja, a szerszámot szilárdan rögzítse a stabil felületen.
- Alkohol, gyógyszerek és hasonló anyagok befolyása alatt ne dolgozzon a szerszámmal.
- Ne használja a szerszámot merlegén, állványzaton, létrán vagy hasonló szerkezeten, pl. félkész tetőn állva, dobozok vagy rekeszek lezárásához, ill. szállítási biztonsági rendszerek teherautókra vagy vagonokra történő felszereléséhez.

### Kirepülő kötőelem veszélye

- A kötőelem-belövőt le kell kötni: a kötőelemek kitérázásakor, beállításokor, elakadásokor megszüntetésekor vagy tartozékok cseréjekor.
- Működtetés közben ügyeljen arra, hogy a kötőelemek megfelelően hatoljanak a munkadarabba, és ne pattanjanak/téveszenek irányt a kezelő és/vagy a közelben tartózkodók felé.
- Működtetés közben a munkadarabról és a kötőelem-belövőből hulladék eshet le.
- Gépi szerszámok használatakor a szeme védelme érdekében mindig viseljen védőszemüveget. A védőszemüvegnek meg kell felelnie az Amerikai Egyesült



Államokban az ANSI Z87.1, Európában sz EN 166, illetve Ausztráliában/Uj-Zélandon az AS/NZS 1336 szabványnak. Ausztráliában/Uj-Zélandon törvény írja elő az arcvédő pajzs viseletét is. A munkáltatónak kell gondoskodnia arról, hogy a szerszámkezelő személyek és a közvetlen közelben tartózkodók mindig viseljenek megfelelő személyes védőfelszerelést.

5. A többi személyt fenyegető kockázatokat a kezelőnek kell felmérnie.
6. Óvatosan kezelje a munkadarabkontakt-fej nélküli szerszámokat, mert ezeket véletlenül is működésbe lehet hozni, sérülést okozva a kezelőnek és/vagy a közelbe tartózkodóknak.
7. Mindig ellenőrizze a szerszám megfelelő, csúszásmentes csatlakozását a munkadarabhoz.
8. Viseljen hallásvédő eszközt a kiáramló sűrített levegő keltezte zaj ellen, ill. fejtédő eszközt is. Könnyű, de ne laza ruházatot viseljen. A ruhájukat be kell gombolni vagy fel kell tűrni. Nyakkendőt viselni tilos.



### Üzemeltetési veszélyek

1. A szerszámot tartsa megfelelően: ügyeljen arra, hogy ellentartson a normális vagy hirtelen mozdulatoknak, pl. a visszarúgásnak.
2. Kiegyensúlyozott testtartásban, a lábát erősen megvetve dolgozzon.
3. Megfelelő védőszemüveget kell viselni, továbbá javasolt megfelelő védőkesztyű és védőruházat viselete is.
4. Megfelelő hallásvédő eszköz viselete kötelező.
5. A használati útmutatóban előírt, megfelelő energiaellátást használja.
6. Ne használja a szerszámot mozgó platformokon vagy teherautó-platón. A platform vagy a jármű hirtelen mozdulata miatt elveszítheti uralmát a szerszám fölött, ami sérülést okozhat.
7. Mindig azt feltételezze, hogy a szerszám fel van töltve kötélemmel.
8. Ne siesse el a munkát, és ne erőltesse a szerszámot. Odafigyeléssel kezelje a szerszámot.
9. A szerszámmal stabil testhelyzetben, a lábát erősen megvetve dolgozzon. Magasban végzett munka esetén győződjön meg arról, hogy senki sem tartózkodik Ön alatt, és rögzítse a légtömítőt, hogy elkerülje a hirtelen rángatás vagy beakadás veszélyét.
10. Tetőkön és más magas helyeken előrefelé haladva löje be a kötélemeket. Könnyen elveszítheti a biztos testtartást, ha a kötélem belövését hátrafelé haladva végzi. Független felületen dolgozva fentről lefele végezze a kötélemek belövését, mert így kisebb erőfeszítés szükséges a munkához.
11. A kötélem elhajlik, illetve a szerszám eltömődik, ha véletlenül egy másik kötélem fejére lövi be a szegyet vagy kapcsolót, vagy egy csomót talál el a fában. A kötélem elrepülhet és eltalálhat valakit, vagy maga a szerszám is veszélyesen reagálhat. Kellő körültekintéssel végezze a kötélem belövését.
12. Ne hagyja a betárazott szerszámot vagy a légkompresszort nyomás alatt hosszabb ideig, közvetlen napfénynek kitéve. Ügyeljen arra, hogy a por, homok, forgács és idegen anyag ne hatolhasson a szerszámba ott, ahová leteszgi.
13. Soha ne próbálja a kötélemet egyszerre belülről és kívülről belőni. A kötélemeket átszakíthatják a

munkadarabot, esetleg kirepülhetnek, komoly veszélyt okozva.

### Ismétlődő mozgások veszélye

1. Amikor egy szerszámot huzamosabb ideig használ, a kezelő kényelmetlen érzést tapasztalhat a kezében, karjában, vállában, nyakában és egyéb testrészeiben.
2. A szerszám használatához a kezelőnek megfelelő, de ergonomikus testtartást kell felvennie. Vesse meg jól a lábát, és kerülje a kicsavart vagy bizonytalan testtartást.
3. Ha a kezelő az állandó jelleggel visszatérő rossz közérzet, fájdalom, lüktetés, bizsergés, zsibbadtság, égő érzés, merevség tüneteit tapasztalja magán, akkor vegye komolyan ezeket a figyelmeztető jelzéseket. A kezelőnek a tevékenységről szakképzett egészségügyi szakemberrel kell konzultálnia.
4. A szerszám folyamatos használata a szerszám visszarúgása miatt ismétlődő terhelésből eredő húzóadásos sérülést okozhat.
5. Az ismétlődő terhelésből eredő húzóadásos sérülés elkerülése érdekében a kezelőnek működtetés közben nem szabad nyújtózkodnia, vagy túl nagy erőt kifejtenie. Emellett a kezelőnek pihennie kell, ha fáradtnak érzi magát.
6. Az ismétlődő mozgásból eredő veszélyekkel kapcsolatban végezzen kockázatelemzést. A kockázatelemzésnek a muszkuloszkeletális rendelkezésekre kell összpontosítania, lehetőség szerint arra a feltételezésre alapozva, hogy a munka közbeni fáradtságérzet csökkentése hatékonyan csökkenti a rendelkezések előfordulását.

### Kiegészítők és fogyésczközök veszélyei

1. Kösse le a szerszám energiaellátását, pl. sűrítettlevegő- vagy gázellátását, akkumulátorát, tartozékok, pl. a munkadarabhoz érő tartozékok cseréje, ill. beállítások előtt.
2. Csak a gyártó által biztosított, ill. javasolt méretű és típusú kiegészítőket használja.
3. Csak a jelen kézikönyvben javasolt kenőanyagokat használjon.

### Munkahelyi kockázatok

1. A megcsúszás, megbotlás, zuhanás a munkahelyi balesetek jelentős kiváltói. Ügyeljen a szerszám használatában előforduló csúszós felületekre, ill. a levegőtömítő okozta botlási veszélyre is.
2. Ismeretlen környezetben különösen körültekintően dolgozzon. Rejtett veszélyek lehetnek jelen, pl. elektromos vagy más közművezetékek.
3. A szerszám a rendeltetése szerint nem használható potenciálisan robbanásveszélyes légkörben, és nincs szigetelve elektromos vezetékek véletlen érintése ellen.
4. Győződjön meg arról, hogy nincs jelen olyan elektromos vezeték, gázcső, stb., amelyek a szerszám általi sérülése veszélyt okozhat.
5. Tartsa tisztán a munkaterületet, és ügyeljen a jó megvilágításra. A rendezetlen és sötét munkaterületek balesetet idézhetnek elő.
6. A zajra helyi előírások vonatkozhatnak, amelyeknek a zajszintet az előírt határértékeken belül tartva meg kell felelni. Egyes esetekben a zajforrást zajvédő falal kell leárnyékolni.

### Por- és levegőkiáramlási veszélyek

1. Mindig ellenőrizze a környezetét. A szerszámból kiáramló levegő port kavarhat, ill. tárgyakat fújhat el,



ezek pedig eltalálhatják a kezelőt és/vagy a közelben tartózkodókat.

2. A kiáramló levegőt irányítsa úgy, hogy a por a lehető legkevésbé kellemetlenséget okozza.
3. Ha a munkaterületen por vagy tárgyak szállnak, akkor amennyire lehetséges, csökkentse a kiáramlást, hogy csökkentse az egészségkárosító kockázatokat és a sérülésveszélyt.

### Zajártalom

1. A túl magas zajszintnek történő védtelen expozíció maradandó, fogyatékkal járó halláskárosodást okozhat olyan egyéb problémák mellett, mint a fülzúgás (csengő, berregő, füttyülő vagy zümmögő hang a fülekben).
2. A zajártalmi veszélyekre vonatkozóan végezzen kockázatelemzést a munkaterületen, és vezessen be ellenük megfelelő óvintézkedéseket.
3. A kockázatsúlyosított intézkedések között lehet pl. a rezgéscsillapító anyagok alkalmazása, amelyek megakadályozzák, hogy a munkadarab rezgésbe jöjjön.
4. Megfelelő hallásvédő eszköz viselete kötelező.
5. A szerszám üzemeltetését és karbantartását a jelen utasítások szerint végezze, hogy megakadályozza a szükségtelen zajszintemelkedést.
6. Tegyen zajcsillapító óvintézkedéseket, pl. helyezze a munkadarabokat hangtompító tartókra.


### Rezgésekkel kapcsolatos veszélyek

1. Az üzem közbeni rezgés kibocsátás a fogás erejétől, az érintkezési nyomástól, a munkavégzés irányától, az energiaellátás beállításától, a munkadarabtól és a munkadarab megtámasztásától függ. A rezgésveszélyekre vonatkozóan végezzen kockázatelemzést, és fogyanatosítson ellenük megfelelő óvintézkedéseket.
2. A rezgés kitettséget bénító hatással van az idegekre, ill. a kéz és a kar vérellátására.
3. Hidegben végzett munka esetén viseljen meleg ruházatot, és tartsa a kezét melegen és szárazon.
4. Ha ujjaiiban vagy kezében zsidbadtságot, bizsergést, fájdalmat, vagy a bőr fehéredését észleli, akkor forduljon szakképzett foglalkozás-egészségügyi szakemberhez, és egyeztessen a teljes munkatevékenységéről.
5. A szerszám üzemeltetését és karbantartását a jelen utasítások szerint végezze, hogy megakadályozza a szükségtelen rezgés szint-emelkedést.
6. A szerszámot könnyed, de biztos kézzel tartsa, mert a rezgési ártalom veszélye általában nagyobb, ha a szerszámot szorosan markolják meg.


### További figyelmeztetések a pneumatikus szerszámokra vonatkozóan

1. A sűrített levegő súlyos sérülést okozhat.
2. Mindig kapcsolja ki a sűrített levegő-ellátást, és kösse le a szerszámot, ha nem használja.
3. A szerszámot tartozékcsere, beállítás és/vagy javítás, ill. másik munkaterületre történő átszállítás előtt mindig kösse le a sűrített levegő-ellátásról.
4. Az újrat nem tartsa a működtető billentyűn, amikor nem működteti a szerszámot, vagy amikor egyik munkaterületről a másikra megy át.
5. Soha ne irányítsa a sűrített levegőt maga vagy más személy felé.
6. A vereső tömlők súlyos sérülést okozhatnak. Mindig

ellenőrizze a szerszámot, sérült vagy laza tömlőket és szerelvényeket keresve.

7. Soha ne emeljen meg pneumatikus szerszámot a tömlőjénél fogva.
8. Soha ne vonszoljon pneumatikus szerszámot a tömlőjénél fogva.
9. Pneumatikus szerszámok használata esetén ne lépje túl a maximális üzemi nyomást.
10. A pneumatikus szerszámokat csak sűrített levegővel, az adott munkafolyamathoz szükséges legalacsonyabb nyomáson szabad meghajtani, hogy a zaj, rezgés és elhasználódás minimális legyen.
11. Az oxigén vagy éghető gázok pneumatikus szerszámok működtetésére történő használatát tűz- és robbanásveszélyt okoz. 
12. Pneumatikus szerszámok használatakor ügyeljen arra, hogy az lehülhet, amely megnehezítheti a fogást és irányítást.

### Kiegészítő figyelmeztetések kontaktbelövés üzemmóddal rendelkező szerszámokhoz

1. Amikor a szerszámot felveszi, munkaterületek, ill. munkahelyek között közlekedik, ne helyezze ujját a működtető billentyűre, mert ezzel véletlenül működésbe hozhatja a készüléket.
2. Ha ez az eszköz rendelkezik kontakt üzemmódban szelektív működtetéssel vagy a folyamatos érintkezős üzemmódban működési módválasztóval, vagy ez egy folyamatos működtetésű vagy folyamatos működtetésű érintkező eszköz, és meg van jelölve szimbólummal, akkor a rendeltetés szerű használat célja olyan gyártási alkalmazások, mint például a raklapok, bútorok, gyárilag előállított házak, kárpitozás és deszkázak. 
3. Ne használja ezt a szerszámot kontakt üzemmódban dobozok és rekeszek zárásához, valamint szállítási biztonsági rendszerek pótkocsira és tehergépkocsira történő felszereléséhez.
4. Ügyeljen arra, hogy a szerszámot csak biztonságos munkaterületen használja.
5. Legyen óvatos, amikor a tűzések között a szerszámmal helyet változtat.

### BETÖLTÉS

1. Válassza le a szerszámot a levegőforrásról. **(Figure 3)**
2. A kar összeszorításával vegye ki a tárat. **(Figure 4)**
3. A rögzítőszegek betöltése: Tartsa lefelé a szögbelövőt, majd helyezze be a szegeket a kazettába úgy, hogy lefelé nézzenek. **(Figure 5)** Addig nyomja be a sint, míg a helyére nem kattann. **(Figure 6)**
4. Kizárólag a javasolt rögzítőket használja (lásd műszaki adatok).
5. A használati útmutatóban előírt szerszámot és kötélemeket egyetlen egységből álló biztonsági rendszernek kell tekinteni.

### A SZERSZÁM HASZNÁLATA

1. Miközben a szerszámot olyan helyre irányítja, ahol nem tartózkodik senki, csatlakoztassa a szerszámot a levegőforráshoz. **(Figure 1)**
2. A szerszámot az adott feladathoz szükséges

- legalacsonyabb nyomáson használja. Ez csökkenti a zajszintet, az alkatrészek kopását és energiát takarít meg.
- Nyomja a szerszám fejét a rögzítendő munkaeszköze, majd a rögzítők kilövéséhez húzza meg a ravaszt. **(Figure 7)**
    - A rögzítők behatolásához minimálisan szükséges nyomást állítson be. Ezután végezzen néhány tesztet a legalacsonyabb nyomáson kezdve.
  - Ellenőrizze, hogy a kötőelemet a szerszám az előírásoknak megfelelően a munkadarabra lőtte.
    - ha a kötőelem kilóg, növelje a légnyomást 0,5 bar lépésközzel, ellenőrizze az eredményt mindegyik új beállítás után;
    - ha a kötőelemet túl mélyre hajtják, csökkentse a légnyomást 0,5 bar lépésközzel, amíg az eredmény kielégítő nem lesz.
  - Mindig törekedjen a lehető legalacsonyabb légnyomás alkalmazására.
  - Munka közben a szerszámot úgy tartsa, hogy annak esetleges – energiaellátás-kimaradás vagy a munkadarab kiugróan kemény részei miatti – visszarúgása ne okozzon fej- vagy egyéb testi sérülést.
  - Szállításhoz a szerszámot le kell kötni a sűrítettlevegő-rendszerrel, különösen ott, ahol létrát használnak, vagy a mozgathoz szokatlan testtartást kell felvenni.
  - A kötőelem-belövőt a munkahelyen csak a fogantyújánál fogva cipelni, és soha nem aktivált működtető billentyűvel.
  - Vegye figyelembe a munkahelyi körülményeket. A kötőelemek a vékony munkadarabokat átütethetik, vagy lecsúszhatnak a munkadarabok sarkairól és éleiről, ezáltal veszélyeztetve az embereket.
  - A saját védelme érdekében használjon védőfelszerelést, pl. hallásvédő eszközt és védőszemüveget.
  - A működtető billentyűt és a biztonsági kengyelt mindegyik belövési művelethez működésbe kell hozni, a működtetési sorrendjük nincs megadva. Ismétlődő belövési műveletek esetén elegendő, ha a működtető billentyű benyomva marad, és a biztonsági kengyelt ezt követően működtetik, vagy fordítva.
  - Üres tárral ne működtesse a szerszámot.
  - Bármilyen hibás vagy nem megfelelően működő szerszámot azonnal le kell kötni a sűrítettlevegő-ellátásról, és javítás céljából át kell adni egy szakembernek.
  - Hosszabb munkaszünetek alkalmával, ill. a műszak végén kösse le a szerszámot a sűrítettlevegő-ellátásról; ekkor a tárat is javasolt kiüríteni.
  - A szerszám sűrítettlevegő-csatlakozóit és a tömlőket óvni kell a szennyeződésektől. A durva por, forgács, homok, stb. behatolása szívárgást okoz, és kárt tesz a szerszámban és a csatlakozásokban.

## SŪRÍTETTLEVEGŐ-RENDSZER

- A kötőelem-belövő megfelelő működéséhez szűrő, száraz < és kenőanyaggal ellátott > sűrített levegő szükséges, a megfelelő mennyiségben. **(Figure 11)**
- Ha a vezeték légnyomása meghaladja a kötőelem-belövő maximális megengedett nyomását, akkor a szerszám tápvezetékebe nyomáscsökkentő szelepet és sorban utána egy biztonsági szelepet kell beiktatni.
- Csatlakoztassa a kötőelem-belövőt a sűrítettlevegő-

ellátásra egy megfelelő, gyorscsatlakozókkal ellátott nyomótömlővel. **(Figure 1)**

- A kompresszor kimeneti nyomását és a teljesítményét (terfogataramát) a várható fogyasztásnak megfelelően kell méretezni. A vezeték hosszához képest túl kis méretű vezetékszakaszok (csövek és tömlők), illetve a kompresszor túlterhelése nyomásesést idéz elő.
- A végleges telepítésű sűrítettlevegő-csővezetékek belső átmérőjének legalább 19 mm-nek kell lennie, ill. ehhez viszonyítva nagyobb átmérő választandó ott, ahol a sűrített levegőt viszonylag nagyobb távolságra kell továbbítani, vagy az több kezelőt is kiszolgál.
- A sűrítettlevegő-csővezetékeket úgy kell lefektetni, hogy egy irányba lejtessenek (a legmagasabb pont a kompresszor felé mutasson). A legalacsonyabb pontokon könnyen hozzáférhető vízelvezetőket kell beépíteni.
- A felhasználók számára a kiállásokat a felül futó vezetékből kell leágaztatni.
- A kötőelem-belövők csatlakoztatási pontjait sűrített levegő kiszolgálóegységek kell felszerelni (szűrő/ vízelvezető/olajozó), közvetlenül a csatlakoztatási pont előtt.
- Az olajozókat napi szinten ellenőrizni kell, és ha szükséges, feltölteni a javasolt fokozatú olajjal (lásd a MŰSZAKI ADATOK c. részt). Tíz méternél hosszabb tömlő esetén nem garantálható a kötőelem-belövő olajellátása. Ajánlott ezért a javasolt olajból (lásd a MŰSZAKI ADATOKBAN) 2–5 cseppet (a kötőelem-belövő igénybevételelől függően) a légbemeneten, vagy egy közvetlenül a kötőelem-belövő szerszámbra szerelt olajozón keresztül beadagolni.

## KARBANTARTÁS ÉS HIBAELHÁRÍTÁS

- Amennyiben a kapcsok beragadnak, válassza le a szerszámot a levegőforrásról. **(Figure 3)**
- Engedje ki a tárat és csúsztassa hátra a sint. **(Figure 8)** Távolítsa el a beragadt a kapcsokat.
- Vagy távolítsa el a két csavart az előlapról és vegye le az előlapot. **(Figure 9)** Távolítsa el az elakadt szegyet. **(Figure 10)** Helyezze vissza az előlapot, és szorítsa rá a csavarokat.

## KARBANTARTÁS:

- Miközben a szerszámot leválasztja a levegőforrásról, a biztonsági rögzítő és a ravasz szabad mozgását napi szinten ellenőrizze.
- Minden csavart húzzon meg rendszeresen. **(Figure 2)** A laza csavarok nem biztonságos működést és az alkatrészek törést eredményezhetnek. 2-3 csepp olajat fecskendezzen a levegő bemenetbe.
- Csak a műszaki adatoknál javasolt olajat használjon. Tartsa tisztán a szerszámot. Rendszeresen törölje át a szerszámot egy száraz ruhával és ellenőrizze, hogy nincsenek-e kopásra utaló jelek. A kopás elkerülése érdekében bizonyos időközönként olajozza meg a tár csúszo alkatrészeit.
- Ne használjon gyúlékony tisztítófolyadékokat. Ne használjon olyan áztató és oldószerkeket, melyek kárt tehetnek a tömítőgyűrűben vagy a szerszám egyéb érzékeny alkatrészeiben. Tiszta, száraz levegőt használjon. Lehetőleg olyan kompresszort használjon, mely ellenirányba van bekötve a szerszám csatlakozásával. A fentiekől eltérő karbantartási műveleteket kizárólag képzett szakemberrel vagy a

gyártó szervizközpontjával végeztesse el.

## ALKATRÉSZ LISTA

A szerszám kiselejtezőskor kövesse a hulladék elhelyezésre vonatkozó helyi előírásokat.

### PMP171 Alkatrész lista (Figure 12)

Kód	Cikkszám	Megnevezés
A	5001346	Fejszelep, cilindër és dugattyú beállítás
B	5001347	Biztonság és ravasz beállítás
C	5001348	Tár beállítás

## ПНЕВМАТИЧЕН ТАКЕР ЗА ПИРОНИ PMP171

инструкции за експлоатация - превод от оригинала

BG

### ТЕХНИЧЕСКИ СПЕЦИФИКАЦИИ

Размер на инструмента	Височина	190 mm
	Дължина	230 mm
	Ширина	48 mm
	Тегло без пирони	0,95 kg
	Тегло с най-тежките пирони	0,96 kg
Въздушен отвор		1/4"
Максимално допустимо работно налягане		8 bar
Работно налягане	Мин.	5 bar
	Макс.	7 bar
Задействане на системата		контактен изстрел
Препоръчителни крепежни елементи		Rapid 23P: 15 -> 35 mm
Размери на пирона		Ø0,64mm - 23Ga
Капацитет на зареждане		150
Препоръчително пневматично масло		Хидравлично масло ISO 46 или еквивалентът му
Информация за шум (EN 12549:1999)	LpA, 1s, d	70,9 dB
	променливост	2,5 dB
	LwA, 1s, d	83,9 dB
	променливост	2,5 dB
	LpC, пик	109 dB
	променливост	2,5 dB

Тези стойности са характерни стойности за инструмента и не представляват генериран шум на мястото на употреба. Шумът на мястото на употреба ще зависи например от работната среда, работния детайл, работната поставка и броя извършени операции. Дизайнът на работното място може да служи и за намаляване на нивата на шум, например при поставяне на звукопоглещащи поставки.

Вибрации (ISO 8662-11:1999)	Вибрация променливост	2,24 m/s <sup>2</sup> 0,332 m/s <sup>2</sup>
-----------------------------	-----------------------	---

Тези стойности са характерни за инструмента и не представят влиянието върху частта ръка-рамо при използване на инструмента. Всяко влияние върху частта ръка-рамо при използване на инструмента ще зависи например от силата на хващане, силата на контактно натискане, посоката на работа, настройките за захванването, работния детайл, работната поставка.

### СИМВОЛИ

Следва указание за символите, използвани за оборудването. Уверете се, че разбирате тяхното значение преди работа с инструмента.



Прочетете и се уверете, че разбирате означенията и ръководството за употреба. Игнориране на предупрежденията може да доведе до сериозни наранявания.



Работещият с инструмента и намиращите се в непосредствена близост до него трябва да носят противоударни очила със странична защита.



Работещият с инструмента и намиращите се в непосредствена близост до него трябва да носят защитни средства за слуха.



Инструментът има опция за работа в режим на изстрел при контакт с работната повърхност.



Не използвайте инструмента, когато сте на стъпала или снеле, стълба или подобни конструкции; когато затваряте сандъци или шайги; когато монтирате транспортни обезопасителни системи, напр. на колесни платформи и вагони.



Никога не използвайте кислород, въглероден двуокис или друг газ в бутилки за захранване на този инструмент.

## ОБЩИ УКАЗАНИЯ ЗА БЕЗОПАСНОСТ

- 1. За лична безопасност и правилна експлоатация и поддръжка на инструмента, прочетете това ръководство за употреба преди да използвате инструмента.**
2. Запазете всички указания и инструкции за бъдеща референция.
3. Инструментът е предназначен да се използва само за професионално приложение. Не го използвайте за други цели. Не е проектиран за фиксиране на крепежни елементи директно върху твърда повърхност като стомана и бетон.
4. Потребителят трябва внимателно да прецени възможните специфични рискове, свързани с всяка употреба.
5. Всяка друга употреба, с изключение на предназначението на този инструмент, е забранена. Инструментите с контактно задействане или продължително контактно задействане да се използват само за производствени приложения.
6. Дръжте пръстите далеч от спусъка, когато не работите с инструмента и при преминаване от едно работно положение в друго.
7. Множество рискове и опасности. Прочетете и разберете инструкциите за безопасност преди да свързвате, изключвате, зареждате, работите, поддържате, сменяте аксесоарите или работите в близост до инструмента. Неспазването на това може да доведе до сериозни телесни наранявания.
8. Дръжте всички части на тялото, като ръцете, краката и т.н., далеч от посоката на стрелба и се уверете, че крепежът няма опасност да проникне в части от тялото.
9. Когато използвате инструмента, имайте предвид, че крепежът може да отсочи и да причини нараняване.
10. Дръжте инструмента здраво и бъдете готови за евентуален отпад.
11. Само технически квалифицирани оператори трябва да използват инструмента.
12. Не модифицирайте инструмента. Измененията могат да намалят ефективността на мерките за безопасност и да увеличат рисковете за работника и/или стоящите наоколо.
13. Не извършвайте ръководството за употреба.
14. Не използвайте инструмент, ако същият е бил повреден.
15. Внимавайте при работа с крепежите, особено при зареждане и изваждане, тъй като те имат остри



- повърхности, които могат да причинят нараняване.
16. Преди употреба винаги проверявайте инструмента за счупени, неправилно свързани или износени части.
  17. Не се протягайте прекалено. Използвайте само на безопасно работно място. Поддържайте стабилна стойка и баланс по всяко време.
  18. Дръжте минувачите далеч (когато работите в зона, където има вероятност от трафик на хора). Ясно маркирайте вашата работна зона.
  19. Никога не насочвайте инструмента към себе си или към другите.
  20. Не опирайте пръста си върху спусъка при вдигане на инструмента, придвижване между работните зони и позиции или ходене, тъй като опрян пръст на спусъка може да доведе до непредвидени действия. За инструменти със селективно задействане винаги проверявайте инструмента преди употреба, за да проверите дали е избран правилният режим.
  21. Носете само ръкавици, които осигуряват адекватно усещане и безопасен контрол на устройствата и всякакви други регулиращи устройства.
  22. Когато не ползвате инструмента, поставете го върху равна повърхност. Ако използвате куката, оборудвана с инструмента, закачете инструмента безопасно върху стабилна повърхност.
  23. Не използвайте инструмента, когато сте под въздействие на алкохол, наркотици или други подобни вещества.
  24. Не използвайте инструмента, когато сте на стъпала или снеле, стълба или подобни конструкции; когато затваряте сандъци или шайги; когато монтирате транспортни обезопасителни системи, напр. на колесни платформи и вагони.



## Рискове на проектила

1. Инструментът трябва да е изключен от захранването при изправане на крепежни елементи, извършване на корекции, отстраняване на задръствания или смяна на аксесоари.
2. По време на работа внимавайте за крепежните елементи да проникват правилно в материал и да няма предпоставки да бъдат отклонени/неправилно насочени към работника и/или стоящите наоколо.
3. По време на работа е възможно изхвърчането на парчета от работния детайл.
4. Винаги носете защитни очила, за да предпазите очите си от нараняване при използване на ел. инструменти. Очилата трябва да отговарят на ANSI Z87.1 в САЩ, EN 166 в Европа или AS / NZS 1336 в Австралия / Нова Зеландия. В Австралия / Нова Зеландия законово се изисква да носите предпазен лицев щит за защита и на вашето лице. Отговорно на работодателя е да наложи използването на подходящо защитно оборудване от операторите на инструменти и от други лица в непосредствената работна зона.
5. Рисковете за други лица се преценяват от работещия с инструмента.
6. Внимавайте с инструментите с безконтактен



изстрел, тъй като те лесно могат да произведат неволен изстрел и да наранят работника и/или стоящите наоколо.

7. Уверете се, че инструментът винаги е в безопасно взаимодействие с работния детайл и няма опасност от изплъзване.
8. Носете защитни средства за главата и за слуха, за да се предпазите от шума на изпускателния коленот. Също така носете лени, но не свободни дрехи. Ръкавите трябва да бъдат закопчани или навити. Не носете вратовръзка.



### Рискове по време на работа

1. Дръжте правилно инструмента: бъдете готови за някои нормални или резки движения, като откат.
2. Поддържайте стабилна стойка и балансирано положение на тялото.
3. Носете подходящи предпазни очила. Препоръчително е носенето на подходящи ръкавици и защитно облекло.
4. Носете подходяща защита за слуха.
5. Използвайте правилното захранване, както е указано в инструкцията за употреба.
6. Не използвайте инструмента на подвижни платформи или в ремаркета на камиони. Внезапното движение на платформата може да доведе до загуба на контрол над инструмента и да причини нараняване.
7. Винаги допуснайте, че инструментът съдържа крепежни елементи.
8. Не прибързвайте с работата и не насилвайте прекалено инструмента. Работете внимателно с него.
9. Внимавайте за вашата стабилност и поддържайте добър баланс с инструмента. Уверете се, че няма ниний отдолу, когато работите на високи места, и подсигурете маруча за въздух, за да предотвратите опасност от закачане или преплитане.
10. На покриви и други високи места изстрелвайте крепежните елементи, докато се движите напред. Лесно е да загубите опората си, ако работите с инструмента приведени назад. Когато фиксирате крепежни елементи върху перпендикулярна повърхност, работете от върха към дъното. По този начин пестите усилия и намалявате умората.
11. Крепежният елемент може да се огъне или инструментът да засече, в случай че погрешка произведете изстрел директно върху друг крепежен елемент или върху чвор в дървесината. Има опасност крепежният елемент да отскочи и да удари някого или самият инструмент да реагира опасно. Фиксирайте крепежните елементи внимателно.
12. Не оставайте заредения инструмент или въздушния компресор под налягане за дълго време на слънце. Уверете се, че на мястото, където сте оставили инструмента, няма опасност в него да попаднат прах, пясък, стружки и други чужди тела.
13. Никога не се опитвайте да фиксирате крепежни елементи на една и съща повърхност от двете страни едновременно. Крепежните елементи могат да разкъсат и/или да отскачат от повърхността, представлявайки сериозна опасност.

### Рискове при повтарящи се движения

1. Когато използва инструмент за дълги периоди, работникът може да изпита дискомфорт в ръцете, раменете, шията или други части на тялото.
2. Докато използва инструмента, работникът трябва да приеме подходяща, но и ергономична поза. Да поддържа стабилна опора и да избягва неудобни и дебалансиранни пози.
3. Ако работникът усети симптоми на постоянен или повтарящ се дискомфорт, болка, пулсиране, изтръпване, гъделичкане, усещане за парене или скованост, не пренебрегвайте тези предупредителни знаци. Работникът трябва да се консултира с квалифициран медицински специалист относно цялостните дейности.
4. Продължителната употреба на инструмента може да доведе до повтарящи се разтежения поради отката, произведен от инструмента.
5. За да избегне повтарящите се разтежения, операторът не трябва да протяга прекалено или да използва прекомерна сила по време на работа. Освен това, операторът трябва да си почине, когато чувства умора.
6. Направете оценка на риска във връзка с опасностите при повтарящите се движения. Тя трябва да се съсредоточи върху мускулно-скелетните нарушения и основно да се основава на предположението, че намаляването на умората по време на работа е ефективно за намаляване на нарушенията.

### Възможни рискове с принадлежности и консумативи

1. Изключете захранването на инструмента, като въздух, газ или батерия, преди да смените/подмените аксесоари като найкрайник за работната повърхност или да направите каквито и да било корекции.
2. Използвайте само размерите и видовете аксесоари, които са предоставени от производителя.
3. Използвайте само смазочни материали, препоръчани в това ръководство.

### Рискове на работното място

1. Подхлъзване, спъване и падане са основните причини за наранявания на работното място. Внимавайте за хлъзгавите повърхности, причинени от използването на инструмента, както и опасност от спъване, причинено от маруча за съгъстен въздух.
2. Подхождайте с допълнително внимание в непознатата среда за наличието на скрити опасности като електричество или други комунални линии.
3. Този инструмент не е предназначен за използване в потенциално експлозивна атмосфера и не е изолиран за евентуален контакт с открита електрическа мрежа.
4. Уверете се, че няма електрически кабели, газови тръби и др., които биха могли да причинят опасност, ако бъдат повредени при използване на инструмента.
5. Пазете работната зона чиста и добре осветена. Разхвърляните или неидентифицирани работни места са предпазват за злополуки.
6. Може да има местни разпоредби относно шума, които трябва да се спазват, като се поддържат

нивата на шум в предписаните граници. В определени случаи трябва да се използват напааци-заглушители, за да се ограничи шумът.

### Рискове от прах и изгорели газове

1. Винаги проверявайте средата около вас. Въздушната струя от инструмента може да издуха прах или предмети и да удари оператора и / или стоящите наоколо.
2. Насочете ауслуха така, че да сведете до минимум разпространението на прах в запрашена среда.
3. Ако в работната зона се отделят прах или предмети, намалете максимално нивото на изпускания въздух, за да намалите опасностите за здравето и риска от нараняване.

### Рискове от шум

1. Незащитеното излагане на високи нива на шум може да причини трайна загуба на слуха и други проблеми като шум в ушите (звънене, бръмчене, свистене или бучене в ушите).
2. Направете оценка на риска по отношение на опасностите от шум в работната зона и прилагайте подходящ контрол за тези опасности.
3. Подходящият контрол за намаляване на риска може да включва действия като "заглушаващи материали", за да се предотврати „звънене“ на работните детайли.
4. Използвайте подходяща защита на слуха.
5. Използвайте и поддържайте инструмента, както е препоръчано в тези инструкции, за да предотвратите ненужно увеличаване на нивата на шума.
6. Вземете мерки за намаляване на шума, например поставяне на работния детайл върху шумопоглещащи опори.

### Рискове от вибрация

1. Излъчването на вибрации по време на работа зависи от силата на захвата, силата на контакт, работната посока, регулирането на захранването, работния детайл, опората на детайла. Направете оценка на риска във връзка с опасностите от вибрации и приложете подходящ контрол за тези опасности.
2. Излагането на вибрации може да причини трайно увреждане на нервите и кръвоснабдяването на ръцете.
3. Носете топли дрехи, когато работите в студени условия; поддържайте ръцете си топли и сухи.
4. Ако усетите изтръпване, бодене, болка или избелване на кожата на пръстите или ръцете, потърсете медицинска помощ от квалифициран медицински специалист.
5. Използвайте и поддържайте инструмента, както е препоръчано в тези инструкции, за да предотвратите ненужно повишаване на нивата на вибрация.
6. Дръжте инструмента с лек, но безопасен хват, тъй като рискът от вибрации е по-голям, когато силата на захвата е по-голяма.

### Допълнителни рискове при работа с пневматични инструменти

1. Сгъстеният въздух може да причини сериозни наранявания.
2. Винаги изключвайте подаването на въздух и откачайте инструмента от захранването, когато не

го използвате.

3. Винаги откачайте инструмента от подаването на сгъстен въздух преди смяна на аксесоарите, извършване на корекции и / или ремонти, и когато се отдалечавате от работната зона.
4. Дръжте пръстите далеч от спусъка, когато не работите с инструмента и при преминаване от едно работно положение в друго.
5. Никога не насочвайте сгъстен въздух към себе си или към някой друг.
6. Отсключи маручи могат да причинят тежки наранявания. Винаги проверявайте за повредени или разхлабени маручи или съединения.
7. Никога не носете пневматичен инструмент хванат за неговия маруч.
8. Никога не влачете пневматичен инструмент от маруча.
9. Когато използвате пневматични инструменти, не превишавайте максималното работно налягане (ps max).
10. Пневматичните инструменти трябва да се захранват само от сгъстен въздух с възможно най-ниското налягане, необходимо за работния процес, за да се намали шумът и вибрациите и да се сведе до минимум износването.
11. Използването на кислород или запалими газове за работа с пневматични инструменти създава опасност от пожар и експлозия.
12. Бъдете внимателни, когато използвате пневматични инструменти, тъй като инструментът може да стане студен и това да повлияе на захвата и контрола.



### Допълнителни рискове при работа с инструменти с функция контактно задействане

1. Не дръжте пръста си върху спусъка при вдигане на инструмента, придвижване между работните зони и позиции или ходене, тъй като опрян пръст на спусъка може да доведе до нежелани действия.
2. Ако този инструмент има настройки за избор чрез режимни превключватели за контактен изстрел или последователни контактни изстрели, или по подразбиране е предназначен за работа с контактен изстрел или последователни контактни изстрели и е означен с посочения отстрани символ, тогава предвидената употреба е за приложение при производство на палети, мебели, сглобяеми къщи, тапицерии и плоскости.
3. Не използвайте инструмента в режим на контактен изстрел за приложения като затваряне на кутии и шайги или обезопасяващо фиксиране на стоки при транспортиране на палетформи и камиони.
4. Инструментът да се ползва само на подsigурени за безопасна работа места.
5. Внимавайте при смяната от един режим в друг.



### ЗАРЕЖДАНЕ

1. Отсоединете инструмент от системи подачи воздуха. (Figure 3)
2. Отсоединете магазин, нажав на рычажок. (Figure 4)

3. Зареждане на дърводелски пирони: Дръжте танкера надолу и заредете лентата с пирони в касетата с върха надолу. **(Figure 5)** Бутнете релсата, докато щракне на място. **(Figure 6)**
4. Използвайте само препоръчителните крепежни елементи (вж. техническите спецификации).
5. Инструментът и свързващите елементи, указани в ръководството за експлоатация, следва да се разглеждат като едно цяло с оглед на системата за безопасност.

## УПОТРЕБА НА ИНСТРУМЕНТА

1. Насочете инструмента далеч от себе си и другите и го свържете с въздуха под налягане. **(Figure 1)**
2. С инструментите трябва да работи на най-ниското налягане, необходимо за приложението. Това ще намали нивата на шума, износването и използването на енергия.
3. Натиснете върха на инструмента върху обработвания детайл и натиснете спуська, за да изстреляте скобите. **(Figure 7)**  
Коригирайте минималното налягане, необходимо за проникване на крепежните елементи. След това направете тестове, като започнете с най-ниското налягане.
4. Проверете дали крепежният елемент е фиксиран в работния детайл в съответствие с изискванията:
  - ако крепежът стърчи, увеличете налягането на въздуха в интервали от 0,5 бара, като проверявате резултата след всяко ново регулиране;
  - ако крепежът е проникнал в прекалено голяма дълбочина, намалете налягането на въздуха в интервали от 0,5 бара, докато постигнете желаните резултат.
5. Желателно е във всеки един случай да се стремите да работите с възможно най-ниското налягане на въздуха.
6. По време на работа дръжте инструмента по такъв начин, че да избегнете наранявания на главата или тялото, в случай на евентуално отскачане на инструмента в следствие на прекъсване на захранването или попадане на твърд участък от работния детайл.
7. Инструментът трябва да бъде изключен от системата за съгъстен въздух при пренасянето му и особено, когато използвате стълби или когато се налага заемането на необичайни физически пози с цел да се придвижвате.
8. Носете инструмента, държейки го само за дръжката и никога с натиснат спусък.
9. Винаги съобразявайте условията на работното място. Крепежните елементи могат да проникнат в тънки работни детайли или да се отплеснт по ъглите и ръбовете на работните детайли и по този начин да изложат хората на риск.
10. За лична безопасност използвайте предпазни средства, като за защита на слуха и очите.
11. Спусъкът и контактният предпазител трябва да се задействат при всеки един изстрел като последователността на задействане не е от значение. При многократни последователни изстрели е достатъчно само спусъкът да остане активиран и контактният предпазител да се

активира след това или обратното.

12. Избягвайте да задействате инструмента, ако пълнителят е празен.
13. Всеки дефектен или неправилно работещ инструмент трябва незабавно да се изключи от захранването със съгъстен въздух и да се предаде на квалифициран специалист за проверка.
14. В случай на по-дълги прекъсвания на работата или в края на работната смяна, изключете инструмента от захранването със съгъстен въздух. Препоръчително е да изпразните пълнителя.
15. Маркучите и съединенията към инструмента в системата за съгъстен въздух трябва да бъдат защитени срещу замърсяване. Попадането в системата на едри прахови частици, дребни отломки, пясък и т.н. ще доведе до течове и повреда на инструмента и съединенията.

## СИСТЕМА ЗА СГЪСТЕН ВЪЗДУХ

1. За правилното функциониране на инструмента се изисква филтриран, сух < и омаслен > съгъстен въздух в достатъчни количества. **(Figure 11)**
2. Ако налягането в системата превишава указаната максимално допустима стойност за инструмента, необходимо е монтирането на редуциращ винтил, последван от предпазен клапан с долно изпускане в източника на съгъстен въздух.
3. Свържете инструмента към източника на съгъстен въздух посредством подходящ маркуч и съответните конектори. **(Figure 1)**
4. Компресорната инсталация трябва да бъде адекватно настроена по отношение на изходното налягане и експлоатационните характеристики (обемния дебит) за очакваното потребление. Линейните участъци, които са твърде малки по отношение на дължината на тръбата (тръби и маркучи), както и претоварването на компресора, ще доведат до спад в налягането.
5. Постоянно положените тръбопроводи за съгъстен въздух трябва да са с вътрешен диаметър най-малко 19 mm и със съответния по-голям диаметър, когато се използват сравнително дълги тръбопроводи или множество потребители.
6. Тръбопроводите за съгъстен въздух трябва да бъдат положени така, че да образуват наклон (най-високата точка в посока към компресора). Водоотделителите трябва да се монтират на леснодостъпни места и в най-ниските точки на системата.
7. Разклоненията за различните оператори трябва да бъдат свързани към въздухопроводите от горната страна.
8. На свързващите точки на инструмента да се монтира директно съответният елемент, обслужващ системата за съгъстен въздух (филтър/ водоотделител/омаслител).
9. Омаслителите трябва да се проверяват ежедневно и при необходимост да се допълват с препоръчително указани вид масло (вж. ТЕХНИЧЕСКАТА СПЕЦИФИКАЦИЯ). При употреба на маркуч с дължина над 10 м не може да бъде гарантирано нормалното подаване на смазочно масло към инструмента. В тези случаи се препоръчва добавянето на 2 до 5 напки (в зависимост от натоварването на инструмента)

от указаното масло (виж ТЕХНИЧЕСКАТА СПЕЦИФИКАЦИЯ) във въздушния колектор на инструмента или алтернативно монтирането на омаслител директно към инструмента.

#### РЕШАВАНЕ НА ПРОБЛЕМИ И ПОДДРЪЖКА

1. Ако настъпи засядане на скоба, разкачете от въздуха под налягане. **(Figure 3)**
2. Извадете магазина и плъзнете релсата назад. **(Figure 8)** Извадете заседналите крепежни елементи.
3. Или освободете двата винта на предния капак и го издърпайте. **(Figure 9)** Отстранете заседналата част. **(Figure 10)** Поставете обратно предния капак и затегнете винтовете.

#### ПОДДРЪЖКА:

1. С изключен инструмент от въздуха под налягане, правете ежедневни инспекции, за да се гарантира свободното движение на обезопасителната скоба и спусъка.
2. Всички винтове трябва да са затегнати. **(Figure 2)** Разхлабени винтове водят до опасна работа и счупване на части. Пръснете 2 или 3 капки масло във въздушния отвор.
3. Използвайте само препоръчаното масло в техническите спецификации. Съхранявайте инструмента чист. Избърсвайте го редовно със суха кърпа и проверявайте за износване.

Смазвайте плъзгащите части на магазина от време на време, за да се предотврати износване.

4. Не използвайте запалими почистващи препарати. Не накисвайте и не използвайте разтворител, това може да повреди О-пръстените и други деликатни части от инструмента. Използвайте чист, сух въздух. За предпочитане е използването на обработващо устройство за сгъстен въздух след свързания инструмент. Поправки, различни от описаните тук, трябва да се извършва само от обучен, квалифициран персонал или от следпродажбено обслужване на производителя.

#### СПИСЪК С РЕЗЕРВНИ ЧАСТИ

Когато изхвърляте инструмента, следвайте местните разпоредби .

#### PMP171 Списък с резервни части (Figure 12)

Индекс	Art. No	Описание
A	5001346	Valva principală, cilindru și set de pistoane
B	5001347	Set de siguranță și set de declanșare
C	5001348	Set magazine

UK Importer and authorised representative:  
ACCO UK Limited  
Oxford House Oxford Road  
Aylesbury HP21 8SZ  
United Kingdom



**Isaberg Rapid AB**  
SE-335 71 Hestra, Sweden  
[www.rapid.com](http://www.rapid.com)

PMP171 Operating Instructions